

Rated Voltage : 12V

Operating Temp : 10~70°C

Protection : Auto-Restart /Impedance

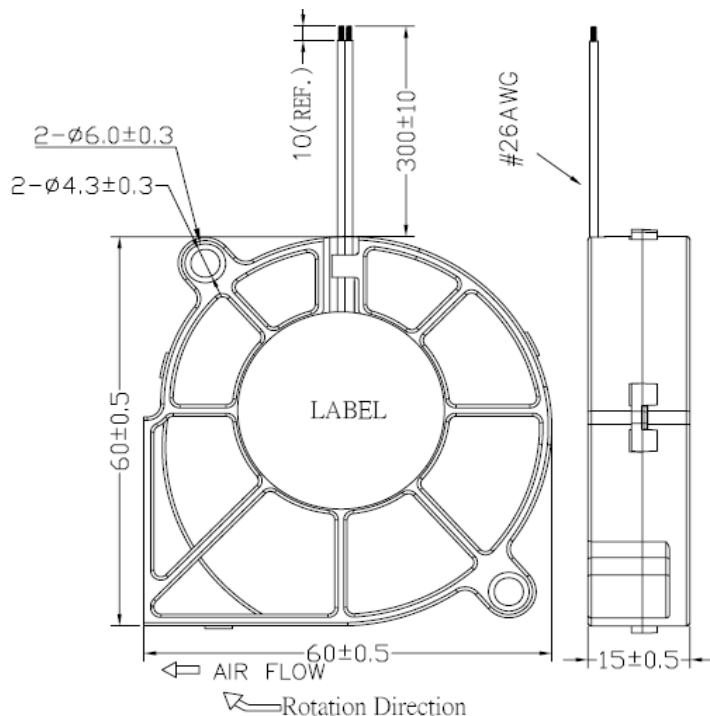
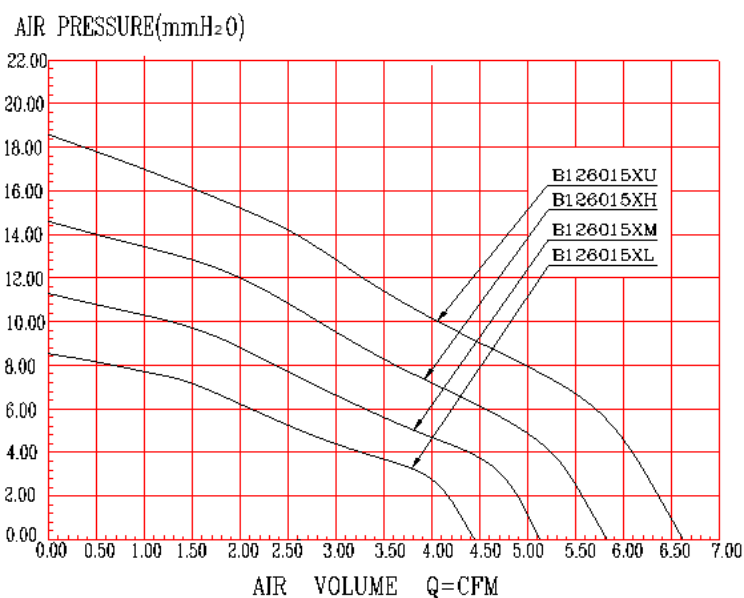
 Material : Housing Plastic (UL : 94V-0)
 Impeller Plastic (UL : 94V-0)

Weight : 40g

Safety Approval



AIR FLOW-AIR PRESSURE (PERFORMANCE CURVES)



Series	Bearing (*)	Rated Voltage (V)	Rated Current (Amp)	Input Power (W)	Rated Speed (rpm)	Air Flow		Static Pressure (mmH ₂ O)	Noise dB(A)
						(CFM)	m ³ /min		
B126015XL	●	12	0.14	1.68	3600	4.41	0.13	8.29	34.7
B126015XM	●	12	0.20	2.40	4200	5.15	0.15	11.28	37.8
B126015XH	●	12	0.30	3.60	4800	5.88	0.17	14.73	41.8
B126015XU	●	12	0.40	4.80	5400	6.61	0.19	18.64	44.7

*Bearing Type : ○ Sleeve ▲EBR ●2 Ball

*Noise measured at the distance of one meter from the axis of intake.

*The latest version would be as per the standard issued by REGO only.