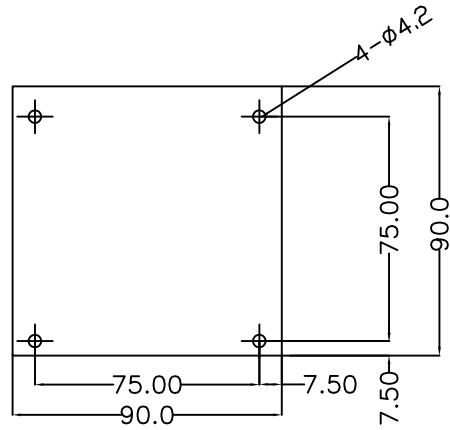


A	01.4.2020
REV	DATE

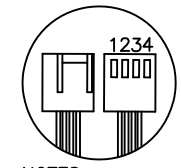
Notes:

ITEM	DESCRIPTION	MATERIAL	FINISH/COLOR	Qty
0	Label	ELECTROPLATING MATT SILVER POLYESTER FILM LABEL	silver	1
1	Fan Screw	steel	bright nickel	3
2	Fan	engineering plastic	black	1
3	Heat Sink	C1100	Anti-oxidation	1
4	Fin-58.8L	C1100	Anti-oxidation	1
5	Fin-63.6L	C1100	Anti-oxidation	3
6	Screw	steel	bright nickel	4
7	Spring	piano wire	nickel	4
8	E-ring	steel	nickel	4
9	Fan Cover	AL	Natural anodize	1
10	Grease	X23-7762	gray	1
11	Plate	PBT+30%CF	Black	1



PCB LAYOUT

Scale 4:1


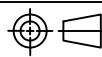


NOTES

- 1.LEAD WIRE UL 1061 AWG#28
- PIN 1:BLACK WIRE---(-)
- PIN 2:RED WIRE---(+)
- PIN 3:GREEN WIRE---(SIGNAL)
- PIN 4:BLUE WIRE---(PWM INPUT)
- 2.HOUSING:2453-4P,2510-4P(RICE WHITE) OR EQUIVALENT

PROPRIETARY NOTE:

This document contains confidential information and proprietary to Rego Electronics and shall not be reproduced or disclosed to other documents or used for any purpose other than that for which was obtained without the expressed written consent of Rego Electronics.

.X ± 0.30	APPROVED: Chris	 http://www.rego.com.tw
.XX ± 0.20	CHECKED: Levi	
.XXX ± 0.15	DRAWN: Vic	TITLE: 1U H15 CPU Cooler For Intel Socket 115X Processors
X* ± 3'	UNITS: mm	SCALE: NONE
		PART NO: RG3118
		SHEET: 1 OF 1