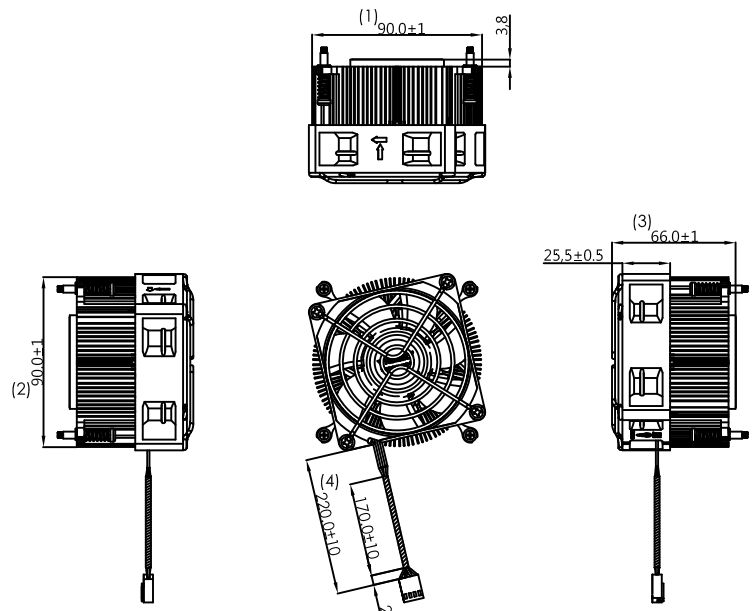
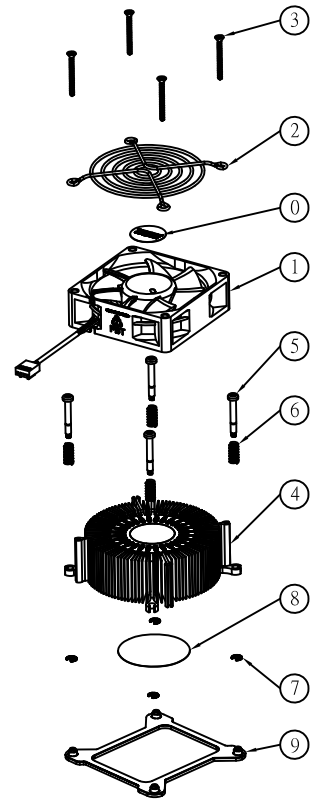
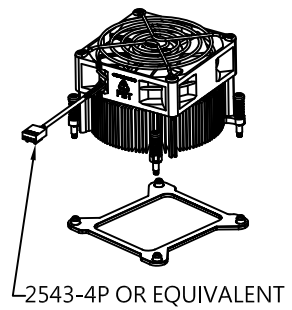
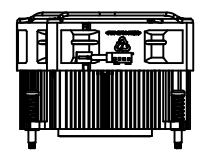


1 2 3 4 5 6 7 8 9 10

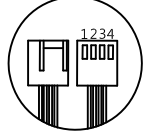
A  
B  
C  
D  
E  
F



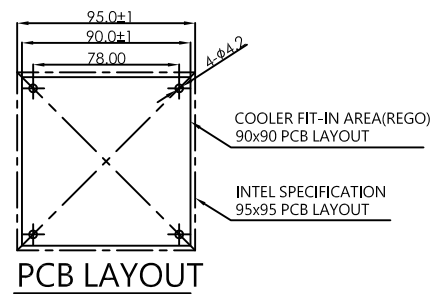
HEAT SHRINKABLE TUBE L=170mm



SCALE 4:1



NOTES:  
 1.LEAD WIRE: UL1061 AWG#24  
 Pin1. BLACK WIRE---(-)  
 Pin2. RED WIRE---(+)  
 Pin3. WHITE WIRE---(SIGNAL)  
 Pin4. BLUE WIRE---(PWM INPUT)  
 2.HOUSING:2543-4P OR EQUIVALENT



NOTES:

NO	PART NAME / NUMBER	DESCRIPTION	PCS
0	RGE-ST001-1	Ø24	1
1	SD8025SPT-12EHWB (FPZ)	80x25.5	1
2	G80-18	Ø76.5x5.5T	1
3	1-0200010877	D5.8x32L	4
4	11-HAD90D35AC0901G	Ø90x35H AL+CU(GRAPHITE)	1
5	1-0700020901	D7x30.8L	4
6	1-0600020901	W1x0D6.2x14Lx7.5N	4
7	1-0500010901	#3	4
8	1-1200060901	X-23-7783D (Ø48x0.15)	1
9	850-BP1700	89x89x6.3	1

		PROPRIETARY NOTE THIS DOCUMENT CONTAINS CONFIDENTIAL INFORMATION AND PROPRIETARY TO REGO ELECTRONICS AND SHALL NOT BE REPRODUCED OR DISCLOSED TO OTHER DOCUMENTS OR USED FOR ANY PURPOSE OTHER THAN THAT FOR WHICH WAS OBTAINED WITHOUT THE EXPRESSED WRITTEN CONSENT OF REGO ELECTRONICS.			
		PROJECT	APPROVED	MATERIAL	DATE
TITLE		CHECKED	FINISH	SCALE	.X ± 0.30
PART NO		DRAWN	UNITS	REV	.XX ± 0.20
RGD3229G-60-002		VIC	mm	A	.XXX ± 0.10
					SHEET
					1 OF 1

1 2 3 4 5 6 7 8 9 10