

1 2 3 4 5 6 7 8 9 10

A

B

C

D

A

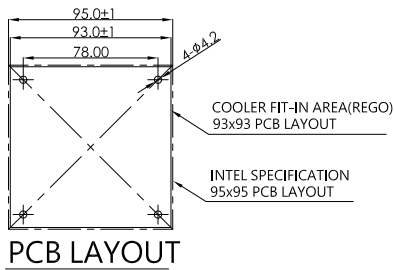
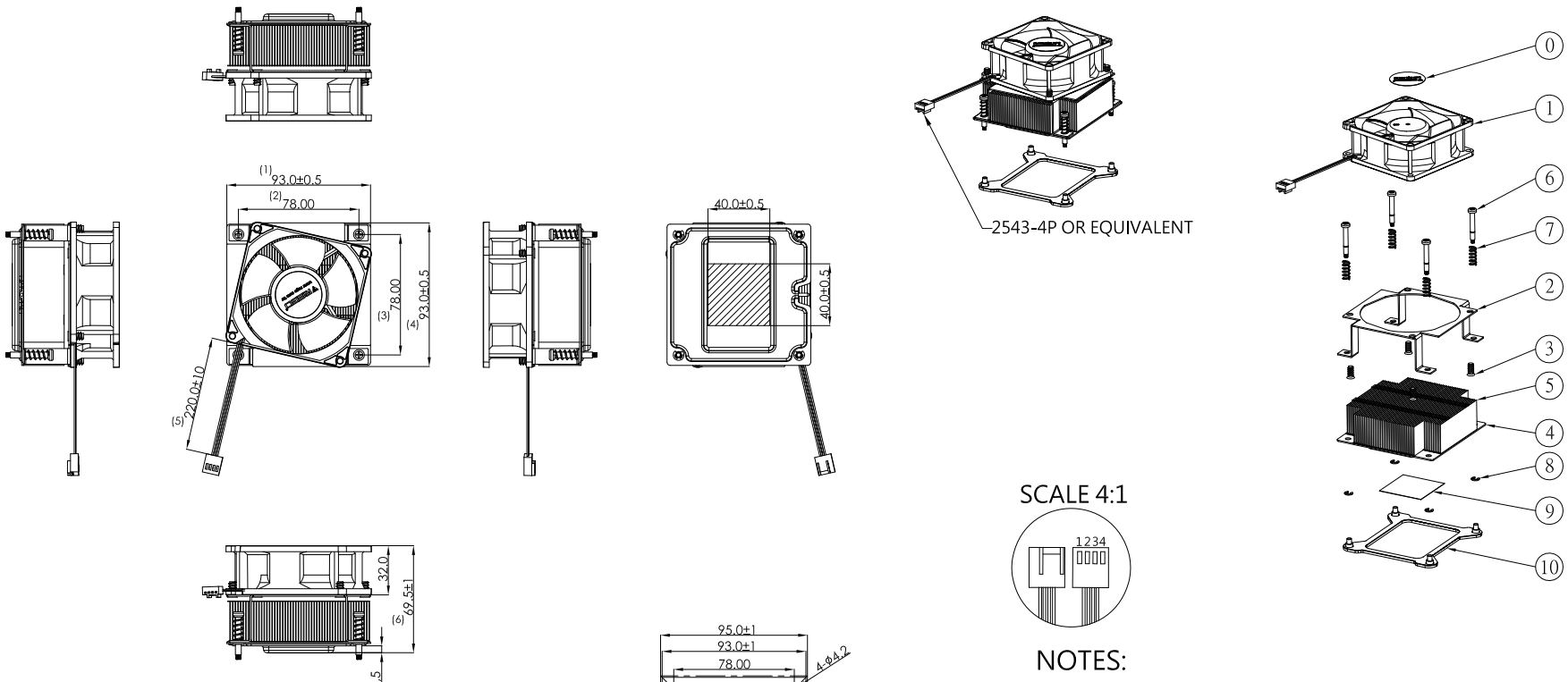
B

C

D

E

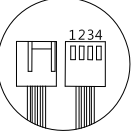
F



NOTES:

NO	PART NAME / NUMBER	DESCRIPTION	PCS
0	RGE-ST002-1	Ø30	1
1	AGE08032B12U	80x32	1
2	1-2000010951	93x93x30.5	1
3	8777A-00004	D6.4x10L	4
4	15-HA000010951	93x91.4x7T	1
5	18-000010951	91.8Wx91.4Lx26.5H	1
6	1-0700010951	D7x30.8L	4
7	1-0600010951	W0.9x0D6.1x16.3Lx6N	4
8	1-0500010951	#3	4
9	1-1200010951	X-23-7783D (Ø40x0.15)	1
10	850-BP1700-5	89x89x9.05	1

SCALE 4:1



- NOTES:
- 1.LEAD WIRE: UL1007 AWG#24
 - Pin1. BLACK WIRE---(-)
 - Pin2. RED WIRE---(+)
 - Pin3. YELLOW WIRE---(SIGNAL)
 - Pin4. BLUE WIRE---(PWM INPUT)
 - 2.HOUSING:2543-4P OR EQUIVALENT



PROPRIETARY NOTE
THIS DOCUMENT CONTAINS CONFIDENTIAL INFORMATION AND PROPRIETARY TO REGO ELECTRONICS AND SHALL NOT BE REPRODUCED OR DISCLOSED TO OTHER DOCUMENTS OR USED FOR ANY PURPOSE OTHER THAN THAT FOR WHICH WAS OBTAINED WITHOUT THE EXPRESSED WRITTEN CONSENT OF REGO ELECTRONICS.

PROJECT	APPROVED	MATERIAL	DATE	.X° ± 3°
	CHRIS	SEE NOTE	2022/01/13	.X ± 0.30
TITLE	CHECKED	FINISH	SCALE	.XX ± 0.20
2U CPU COOLER FOR INTEL LGA1700 PROCESSORS	LEVI	SEE NOTE	1:1	.XXX ± 0.10
PART NO	DRAWN	UNITS	REV	SHEET
RGD3224VC-AG70-002	VIC	mm	A	1 OF 1

1 2 3 4 5 6 7 8 9 10