

NOTES:

NO	PART NAME / NUMBER	DESCRIPTION	PCS
0	RGE-ST002-1	Ø30	1
1	1-0200080877	D5x10L	4
2	DB128015BU	78.9x81.3x16.2	1
3	1-2000020881	90x90x8	1
4	11-000020881	90x90x4T	1
5	18-000030881	89.7Wx88.5Lx6.65H	1
6	1-0700030881-A	D7.8x25.6L	4
7	1-0600010881	W0.8x0D6.75x14.9Lx6N	4
8	1-0500010881	#3	4
9	1-0700010877	D5.8x7.8L	4
10	1-1200020881	39x39x0.15	1
11	850-BP1700-5	89x89x9.05	1

SCALE 4:1

NOTES

- 1.LEAD WIRE UL 1061 AWG#26
- PIN 1:BLACK WIRE---(-)
- PIN 2:BLACK WIRE---(+)
- PIN 3:BLACK WIRE---(FG)
- PIN 4:BLACK WIRE---(PWM)
- 2.HOUSING:2543-4P(BLACK) OR EQUIVALENT

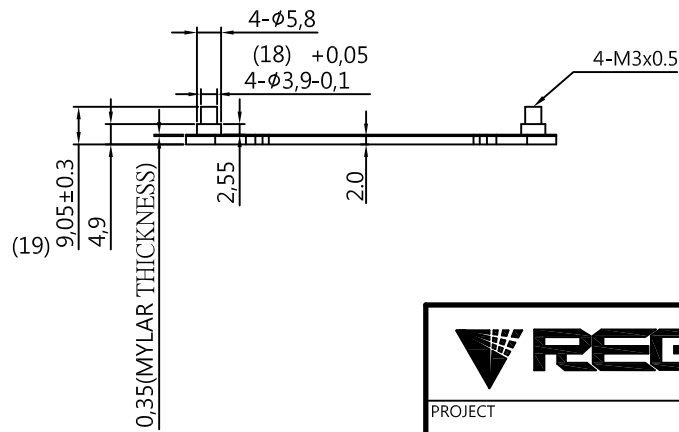
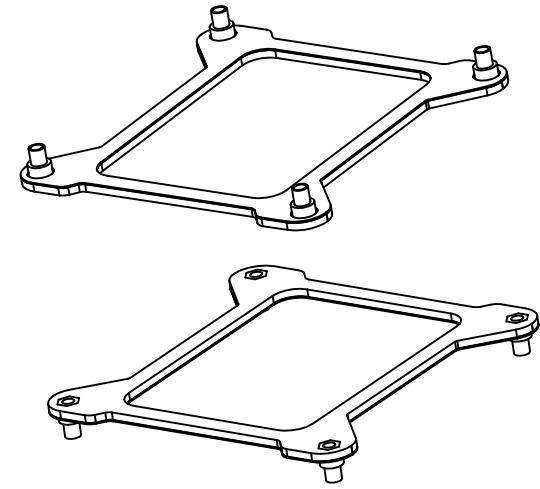
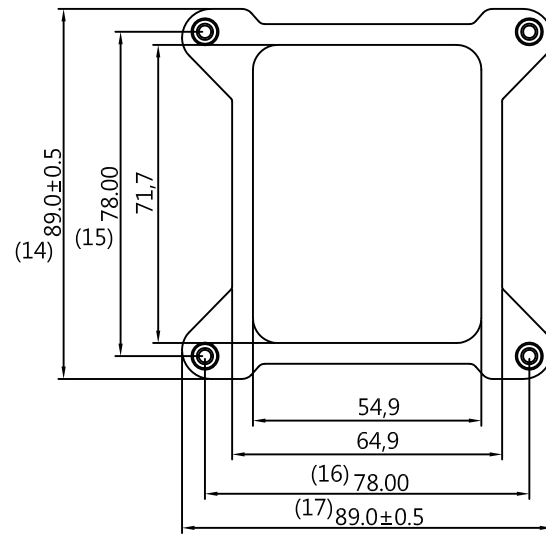
PCB LAYOUT




PROPRIETARY NOTE

THIS DOCUMENT CONTAINS CONFIDENTIAL INFORMATION AND PROPRIETARY TO REGO ELECTRONICS AND SHALL NOT BE REPRODUCED OR DISCLOSED TO OTHER DOCUMENTS OR USED FOR ANY PURPOSE OTHER THAN THAT FOR WHICH WAS OBTAINED WITHOUT THE EXPRESSED WRITTEN CONSENT OF REGO ELECTRONICS.

PROJECT	APPROVED	MATERIAL	DATE	.X° ± 3°
	CHRIS	SEE NOTE	2022/09/06	.X ± 0.30
TITLE	CHECKED	FINISH	SCALE	.XX ± 0.20
1U CPU COOLER 78x78 FOR SOCKET LGA 1700 PROCESSORS	LEVI	SEE NOTE	1:1	.XXX ± 0.10
PART NO	DRAWN	UNITS	REV	SHEET
RGD3124AF1-BF(Z)-002	VIC	mm	A	1 OF 1



- NOTE :
1. MATERIAL:SPCC
 2. FINISH : (1)PLATE—ELECTROPHORETIC DEPOSITION BLACK(EPD BLACK)
(2)STAND OFF—ZINC PLATING
 3. MATERIALS USED MUST MEET THE ROHS STANDARD .

		PROPRIETARY NOTE		
		THIS DOCUMENT CONTAINS CONFIDENTIAL INFORMATION AND PROPRIETARY TO REGO ELECTRONICS AND SHALL NOT BE REPRODUCED OR DISCLOSED TO OTHER DOCUMENTS OR USED FOR ANY PURPOSE OTHER THAN THAT FOR WHICH WAS OBTAINED WITHOUT THE EXPRESSED WRITTEN CONSENT OF REGO ELECTRONICS.		
PROJECT	APPROVED	MATERIAL	DATE	.X° ± 3°
	CHRIS	SEE NOTE	2021/05/24	.X ± 0.30
TITLE	CHECKED	FINISH	SCALE	.XX ± 0.20
SOCKET 1700 BACK PLATE	LEVI	SEE NOTE	1:1	.XXX ± 0.10
PART NO	DRAWN	UNITS	REV	SHEET
850-BP1700-5	VIC	mm	A	1 OF 1