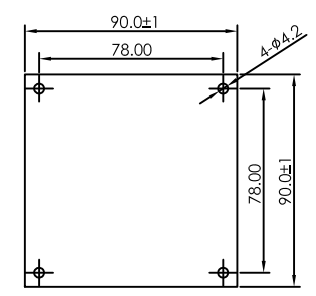
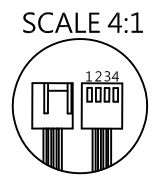
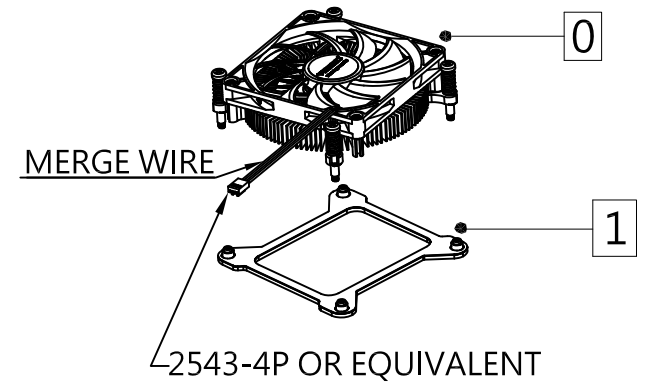
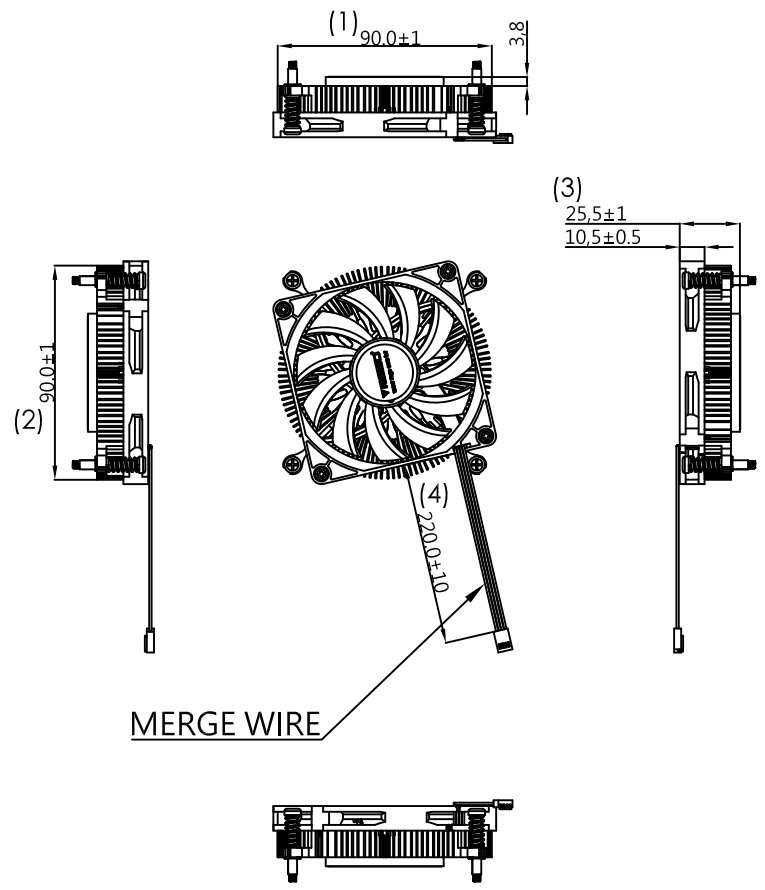


1 2 3 4 5 6 7 8 9 10

A
B
C
D
E
F



PCB LAYOUT

- NOTES:
- 1. LEAD WIRE: UL1061 AWG#26
 - Pin1. BLACK WIRE---(-)
 - Pin2. YELLOW WIRE---(+)
 - Pin3. GREEN WIRE---(SIGNAL)
 - Pin4. BLUE WIRE---(PWM INPUT)
 - 2. HOUSING: 2543-4P (RICE WHITE) OR EQUIVALENT

NOTES:

NO	PART NAME / NUMBER	MATERIAL	FINISH/COLOR	PCS
0	LABEL	ELECTROPLATING MATT SILVER POLYESTER FILM LABEL	SILVER	1
1	FAN SCREW	STEEL	BRIGHT NICKEL	4
2	AXIAL FAN	ENGINEERING PLASTIC	BLACK	1
3	EXTRUDED FIN	AL6063+COPPER	CLEANING	1
4	SCREW	STEEL	BRIGHT NICKEL	4
5	SPRING	PIANO WIRE	NICKEL	4
6	E-CLIP	STEEL	NICKEL	4
7	THERMAL GREASE	X23-7762	GRAY	1
8	PLATE	STEEL	ELECTRIC BLACK	1

		PROPRIETARY NOTE THIS DOCUMENT CONTAINS CONFIDENTIAL INFORMATION AND PROPRIETARY TO REGO ELECTRONICS AND SHALL NOT BE REPRODUCED OR DISCLOSED TO OTHER DOCUMENTS OR USED FOR ANY PURPOSE OTHER THAN THAT FOR WHICH WAS OBTAINED WITHOUT THE EXPRESSED WRITTEN CONSENT OF REGO ELECTRONICS.			
		PROJECT	APPROVED	MATERIAL	DATE
TITLE		CHECKED	FINISH	SCALE	.X ± 0.30
PART NO		DRAWN	UNITS	REV	.XX ± 0.20
RGD3129-25-002		VIC	mm	A	.XXX ± 0.10
					SHEET
					1 OF 1

1 2 3 4 5 6 7 8 9 10