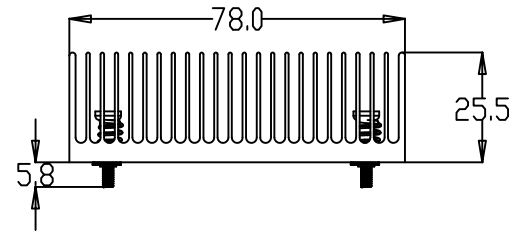
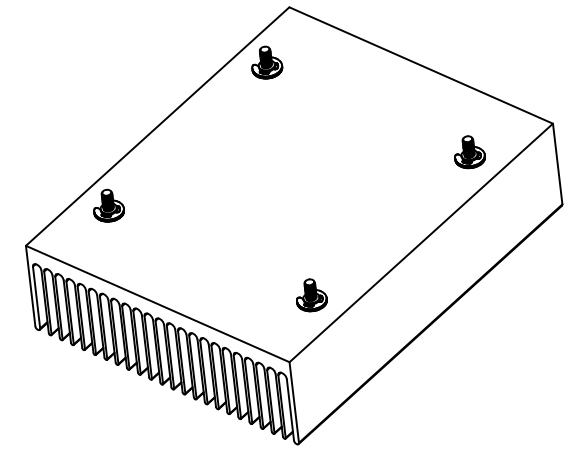
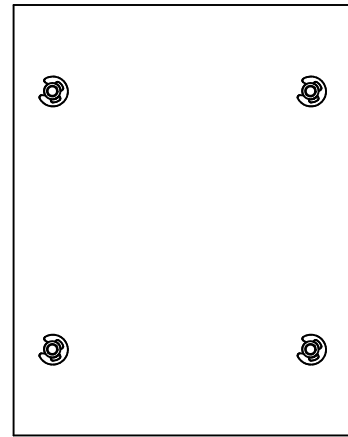
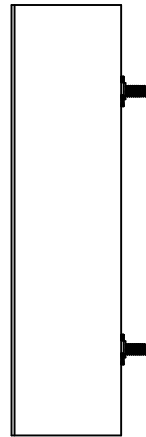
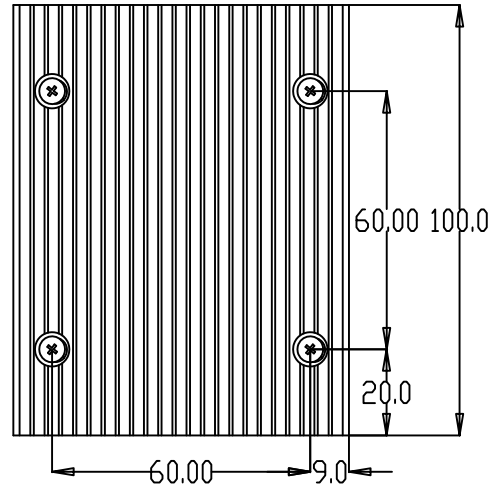
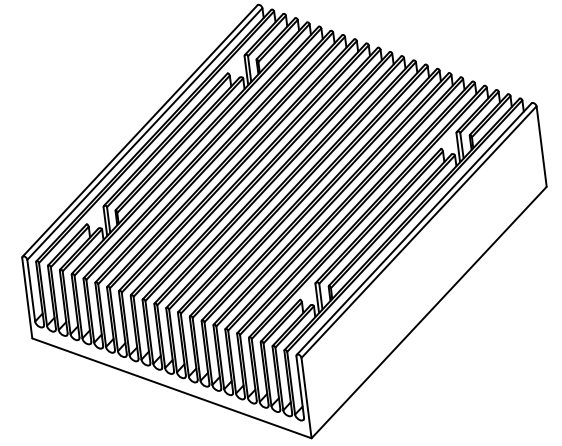


1 2 3 4 5 6 7 8 9 10

A  
B  
C  
D  
E  
F


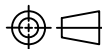
A  
B  
C  
D  
E  
F

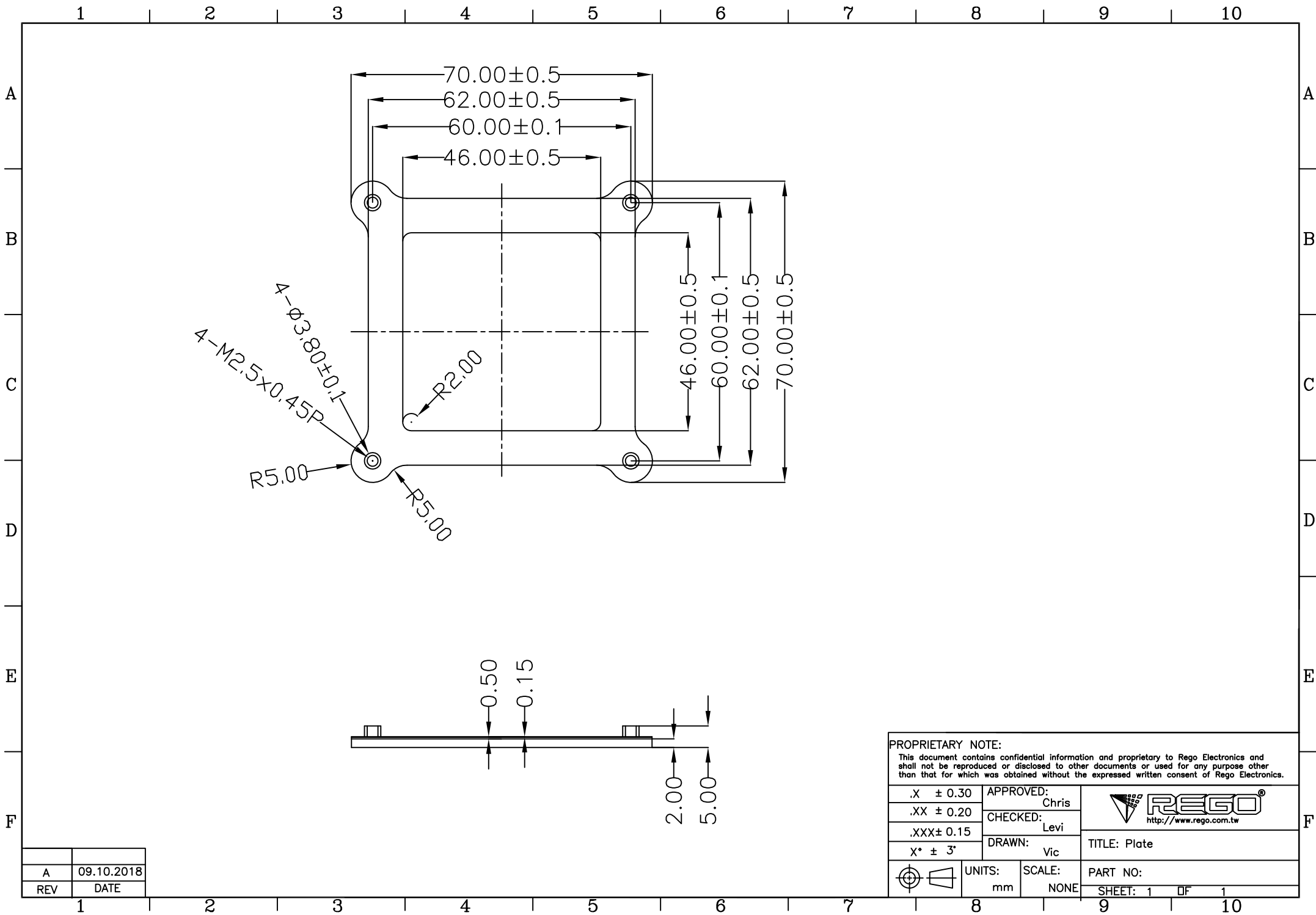


A	16.10.2019
REV	DATE


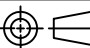
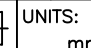
1 2 3 4 5 6 7 8 9 10

**PROPRIETARY NOTE:**  
 This document contains confidential information and proprietary to Rego Electronics and shall not be reproduced or disclosed to other documents or used for any purpose other than that for which was obtained without the expressed written consent of Rego Electronics.

.X ± 0.30	APPROVED: Chris	 <a href="http://www.rego.com.tw">http://www.rego.com.tw</a>	
.XX ± 0.20	CHECKED: Levi		
.XXX ± 0.15	DRAWN: Vic		
X* ± 3'	TITLE:		
	UNITS: mm	SCALE: NONE	PART NO: RG5110
			SHEET: 1 OF 1



A	09.10.2018
REV	DATE

<b>PROPRIETARY NOTE:</b> This document contains confidential information and proprietary to Rego Electronics and shall not be reproduced or disclosed to other documents or used for any purpose other than that for which was obtained without the expressed written consent of Rego Electronics.		
.X ± 0.30	APPROVED: Chris	 <a href="http://www.rego.com.tw">http://www.rego.com.tw</a>
.XX ± 0.20	CHECKED: Levi	
.XXX ± 0.15	DRAWN: Vic	
X* ± 3°		
  UNITS: mm	SCALE: NONE	TITLE: Plate  PART NO: SHEET: 1 OF 1