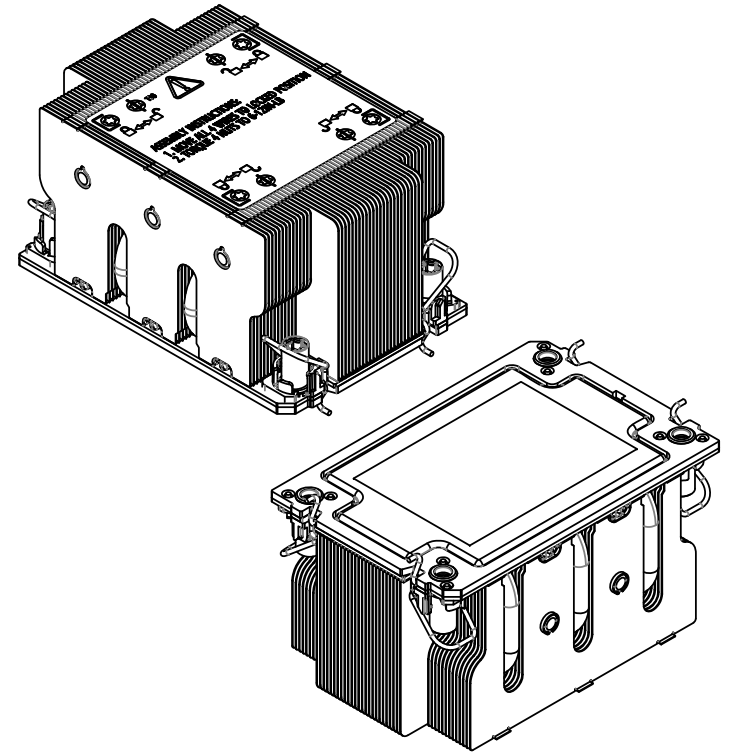
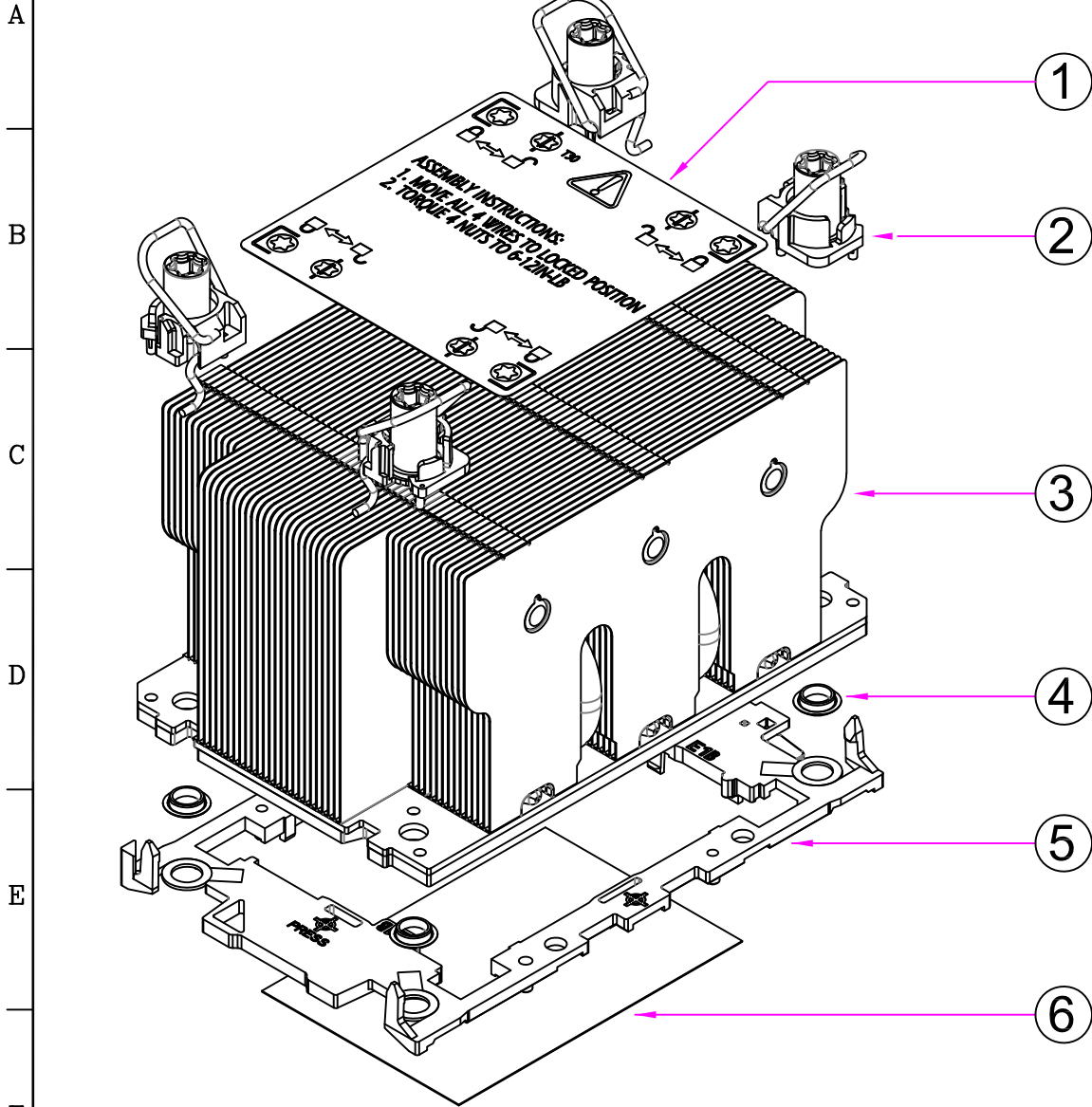


### ASSEMBLY PARTS

6	THERMAL GREASE, PRE-PRINTED	SHIN-ETSU 7762	1
5	INTEL PACKAGE CARRIER	PLASTIC	1
4	SPACER RING	PLASTIC	4
3	HEATSINK, with STACKED FINS	(5x) HEATPIPE ALUMINUM FIN STACK COPPER VAPOR CHAMBER BASE STEEL RETENTION	1
2	ANTI-TILT ROTATING WIRE ASSEMBLY SET	PLASTIC NUT AND CAPTIVATION STEEL ROTATING WIRE	4
1	MOUNTING INSTRUCTION LABEL	PLASTIC	1
ITEM#	DESCRIPTION	MATERIAL	QTY.





#### NOTES:

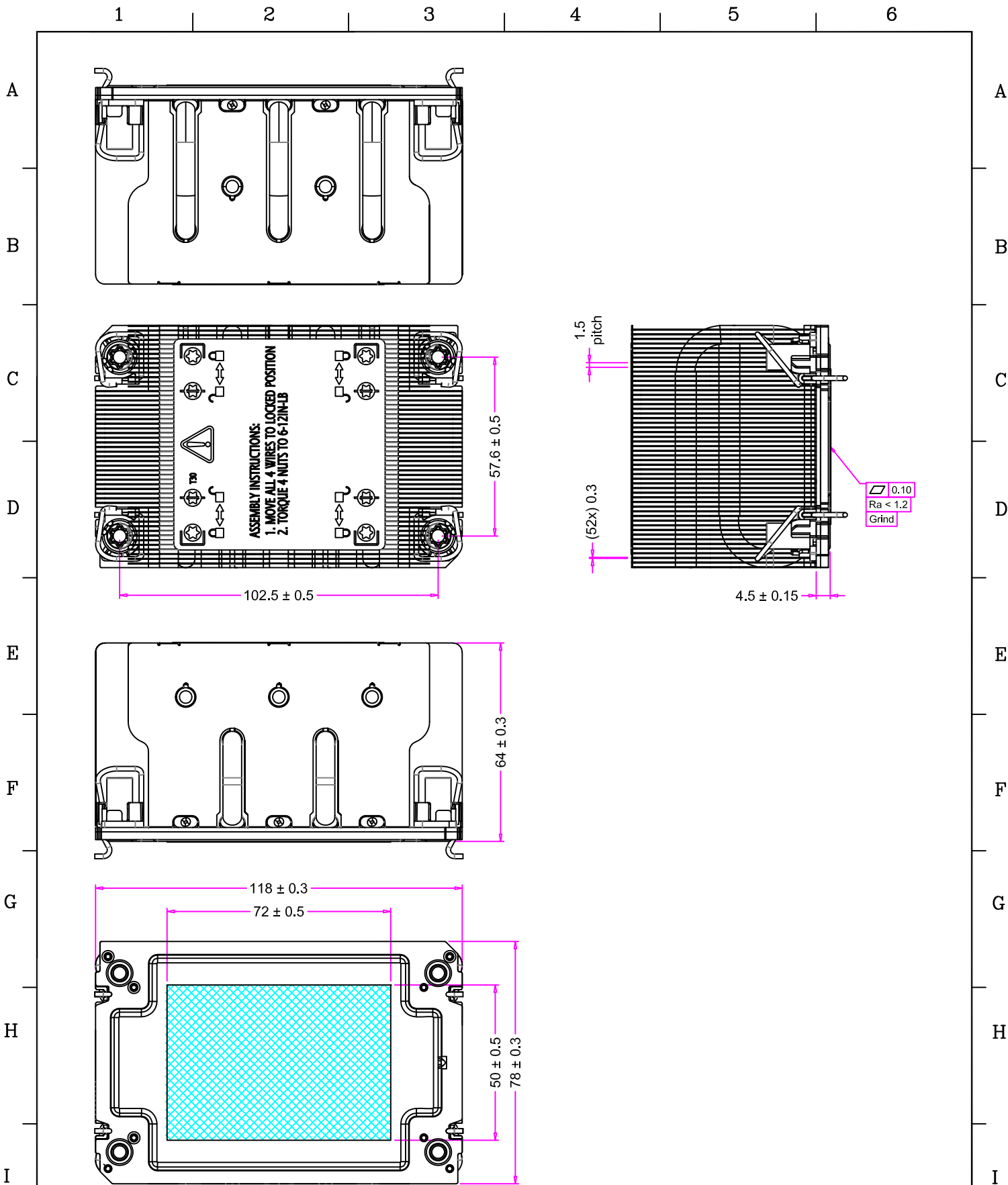
1. THE FIGURE IS FOR REFERENCE ONLY, AND NOT FOR SCALE
2. OVERALL DIMENSION : 118 x 78 x 64 mm
3. OVERALL WEIGHT : 580 g

#### PROPRIETARY NOTE:

This document contains confidential information and proprietary to Rego Electronics and shall not be reproduced or disclosed to other documents or used for any purpose other than that for which was obtained without the expressed written consent of Rego Electronics.

.X ± 0.30	APPROVED: Chris	 <a href="http://www.rego.com.tw">http://www.rego.com.tw</a>
.XX ± 0.20	CHECKED: Andy	
.XXX ± 0.15	DRAWN: Vic	TITLE: 2U Passive CPU Cooler for Intel Socket LGA4677 Processors
X* ± 3°	UNITS: mm	PART NO: RGB220VC-P
	SCALE: NONE	SHEET: 1 of 1


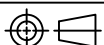
0.0	26.3.2021
REV	DATE



**ASSEMBLY INSTRUCTIONS:**  
 1. MOVE ALL 4 WIRES TO LOCKED POSITION  
 2. TORQUE 4 NUTS TO 6-12IN-LB

**PROPRIETARY NOTE:**

This document contains confidential information and proprietary to Rego Electronics and shall not be reproduced or disclosed to other documents or used for any purpose other than that for which was obtained without the expressed written consent of Rego Electronics.

.X ± 0.30	APPROVED: Chris	 <a href="http://www.rego.com.tw">http://www.rego.com.tw</a>
.XX ± 0.20	CHECKED: Levi	
.XXX ± 0.15	DRAWN: Vic	
X* ± 3'		
	UNITS: mm	SCALE: NONE
TITLE: 2U Passive CPU Cooler for Intel Socket LGA4677 Processors		PART NO: RGB220VC-P
SHEET: 1		OF 1

0.0	26.3.2021
REV	DATE