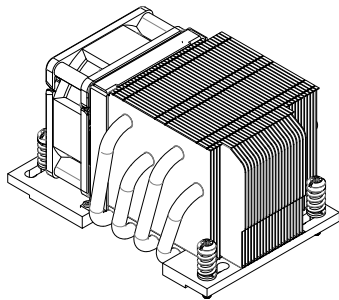
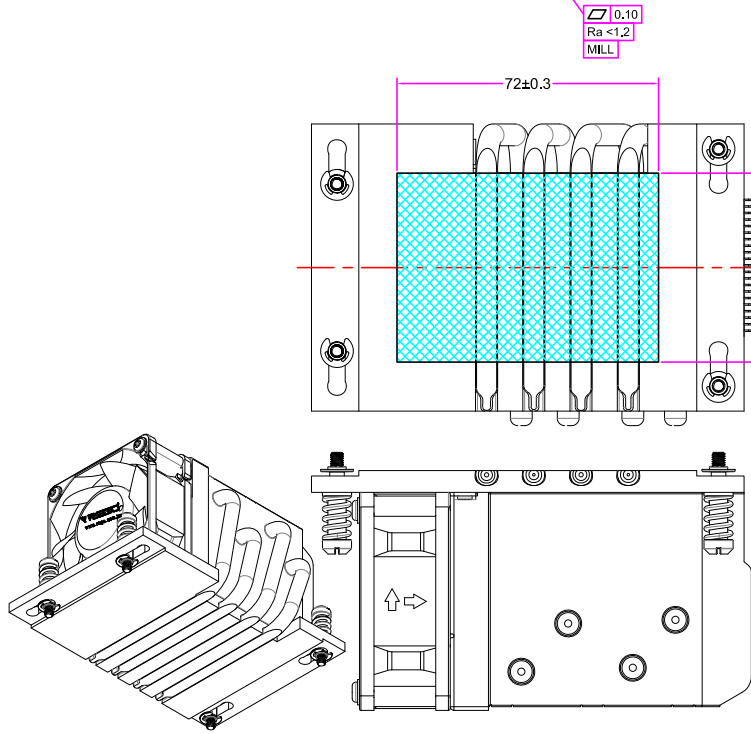
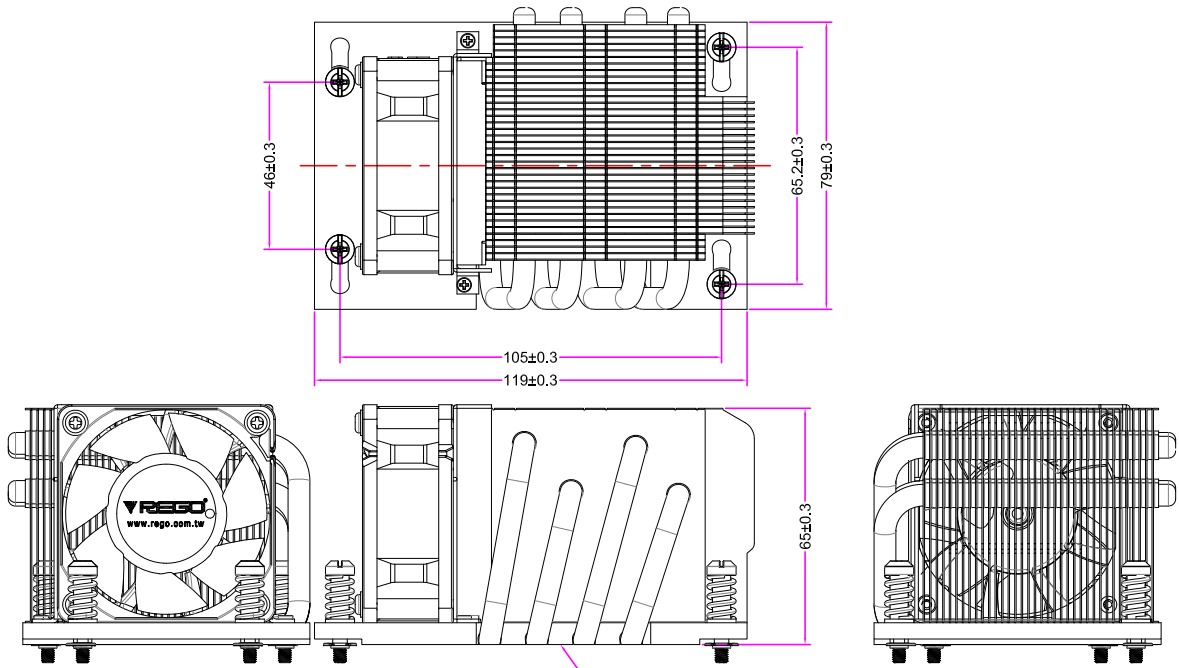


1 2 3 4 5 6

A
B
C
D
E
F
G
H
I
J


A
B
C
D
E
F
G
H
I
J



10	THERMAL GREASE	SHIN-ETSU 7762	1
9	SCREW, FAN MOUNTING	STEEL	4
8	FAN, DF126025BH-PWM (8000 RPM)	PLASTIC	1
7	FAN BRACKET	ALUMINUM	1
6	SCREW, FAN BRACKET MOUNTING	STEEL	2
5	C-RING	STEEL	4
4	SPRING, 12mm LENGTH (0950)	SUS 304	4
3	HEATSINK	HEATPIPES ALUMINUM BASE ALUMINUM STACKED FIN	1
2	WASHER	STEEL	4
1	HEATSINK SCREW	STEEL	4
ITEM#	DESCRIPTION	MATEPIAL	QTY

PROPRIETARY NOTE:

This document contains confidential information and proprietary to Rego Electronics and shall not be reproduced or disclosed to other documents or used for any purpose other than that for which was obtained without the expressed written consent of Rego Electronics.

.X ± 0.30	APPROVED:	 http://www.rego.com.tw
.XX ± 0.20	Chris	
.XXX ± 0.15	CHECKED:	
X* ± 3'	Levi	
	DRAWN:	TITLE: 2U CPU Cooler for AMD Socket SP3 TR4 Processors
	Vic	
	UNITS:	PART NO: RGM4220
	mm	SHEET: 1 OF 1
	SCALE:	NONE

1.0	13.7.2017
REV	DATE

1 2 3 4 5 6