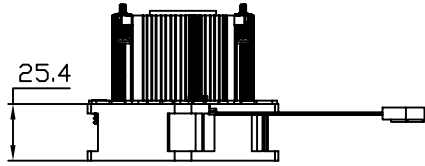
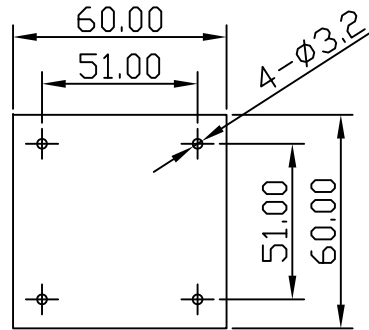
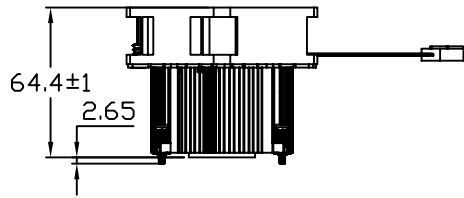
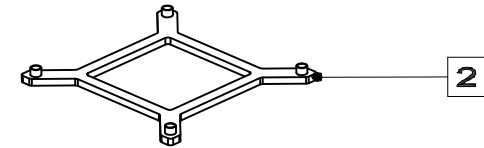
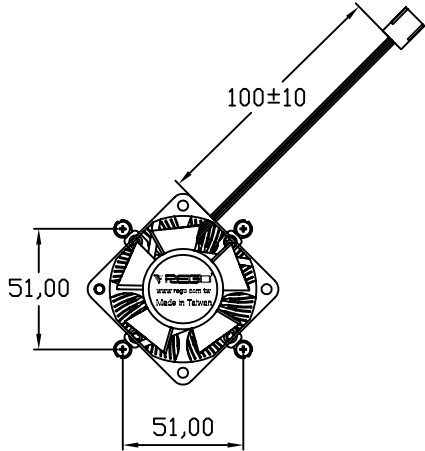
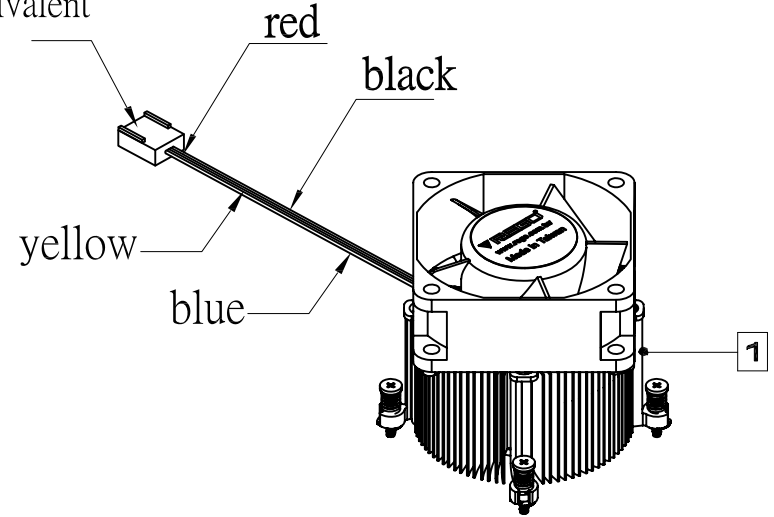


A	15.3.2019
REV	DATE



2510 4PIN or equivalent




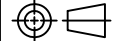
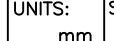
PCB LAYOUT

Notes:

ITEM	NAME	MATERIAL	FINISH/COLOR	Qty
0	Lable	ELECTROPLATING MATT SILVER POLYESTER FILM LABEL	SILVER	1
1	Fan	engineering plastic	black	1
2	Fan Screw	steel	black nickel	4
3	Fan Plate	SUS304-28		1
4	Sink Screw	steel	bright nickel	4
5	Spring	music wire	nickel	4
6	Heat Sink	Aluminum&Copper	cleaning	1
7	Spring Screw	steel	bright nickel	4
8	E Ring	steel	nickel	4
9	Grease	X23-7762	gray	1
10	Plate	steel	nickel	1

PROPRIETARY NOTE:

This document contains confidential information and proprietary to Rego Electronics and shall not be reproduced or disclosed to other documents or used for any purpose other than that for which was obtained without the expressed written consent of Rego Electronics.

.X ± 0.30	APPROVED: Chris	 http://www.rego.com.tw	
.XX ± 0.20	CHECKED: Denny		
.XXX ± 0.15	DRAWN: Bryan		
X° ± 3'	UNITS: mm	SCALE: NONE	TITLE: Mobile BGA CPU Cooler, Extrusion Aluminum Copper, Fan 10600 RPM.
 		PART NO: RG1100B-EAC(H3B)-SN62104-28	SHEET: 1 of 10

A

B

C

D

E

F

A

B

C

E

F