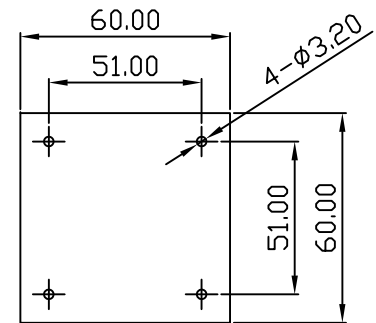
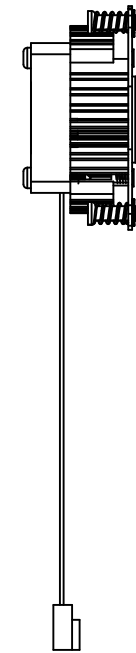
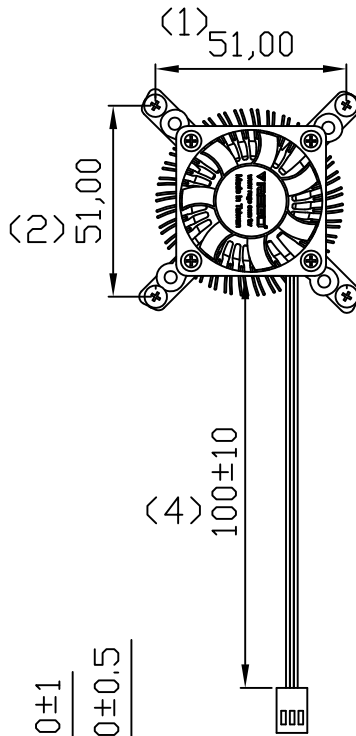
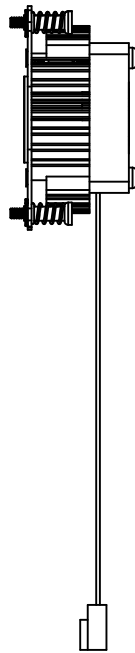
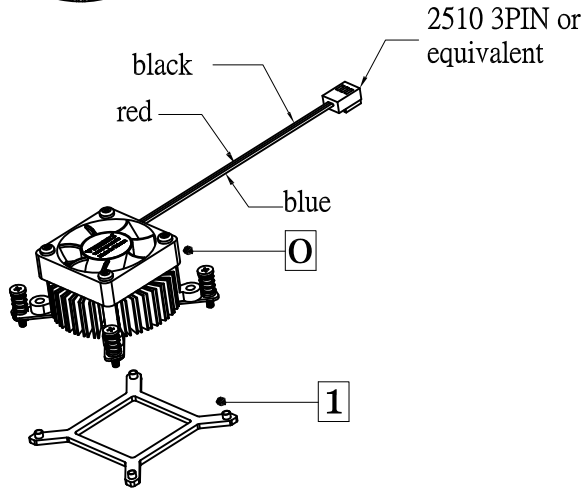
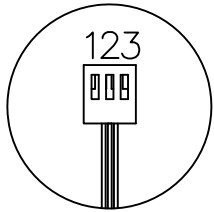


A	05.10.2019
REV	DATE

NOTES:

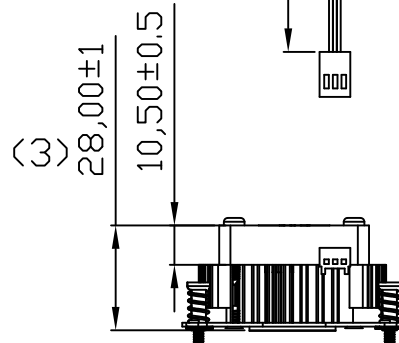
- 1.LEAD WIRES: UL1007 AWG#26
Pin1. BLACK WIRE----(-)
Pin2. RED WIRE----(+)
Pin3. BLUE WIRE----(FG)
- 2.HOUSING:2510-3P(RICE WHITE)
OR EQUIVALENT



PCB LAYOUT

Notes:

ITEM	DESCRIPTION	MATERIAL/DIMENSION (mm)	FINISH / COLOR	QTY
0	Label	ELECTROPLATING MATT SILVER POLYESTER FILM LABEL	SILVER	1
1	Fan Screw	STEEL T3x18L	BLACK	4
2	Fan	engineering plastic	BLACK	1
3	Sink	AL6063	NATURAL ANODIZE	1
4	Screw	STEEL D6x17.5L	BRIGHT NICKEL	4
5	Spring	PIANO WIRE W0.7xOD5.6x10.8Lx5N	NICKEL	4
6	Plate	STEEL	NICKEL	1
7	Screw	STEEL D4.7x6L	NICKEL	4
8	E-ring	STEEL Ø7x0.6T	NICKEEL	4
9	Grease	X23-7762	GRAY	1
10	Plate	STEEL	NICKEL	1



PROPRIETARY NOTE:

This document contains confidential information and proprietary to Rego Electronics and shall not be reproduced or disclosed to other documents or used for any purpose other than that for which was obtained without the expressed written consent of Rego Electronics.

.X ± 0.30	APPROVED: Chris	
.XX ± 0.20	CHECKED: Levi	
.XXX ± 0.15	DRAWN: Vic	
X* ± 3'		
UNITS: mm	SCALE: NONE	TITLE: Mobile BGA CPU Cooler, Extrusion Aluminum Fan 6800RPM
PART NO: RG7111-B3-A-51		SHEET: 1 OF 1

A

B

C

D

E

F

A

B

C

D

E

F