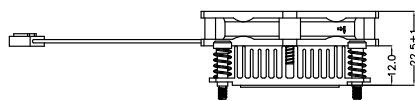
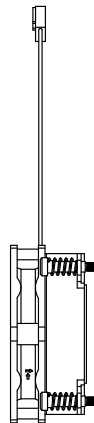
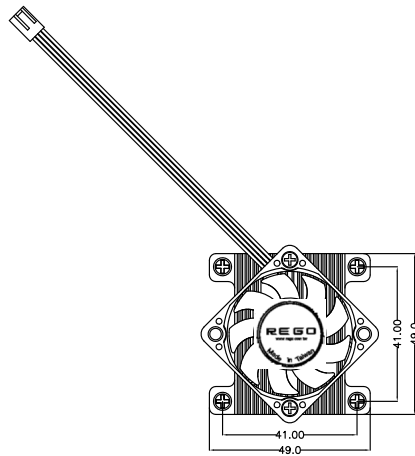
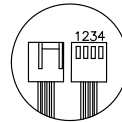


Outline Dimension	49.0 X 49.0 X 22.5 mm
Heatsink Material	Aluminum 6063T5
Heatsink Dimension	49.0 x 49.0 x 12.0 mm
FAN Dimension	40.0 x 40.0 x 10.5 mm
Clip Model	06E-0026A
Screw Model	813-TMASC00
Screw Model	04C-0003A
Sponge Model	07B-0005I
PAD Model	07B-0046A
Spring Model	04Y-0005A
Thermal Resistance(R)	1.25 °C/W
Weight	43 g

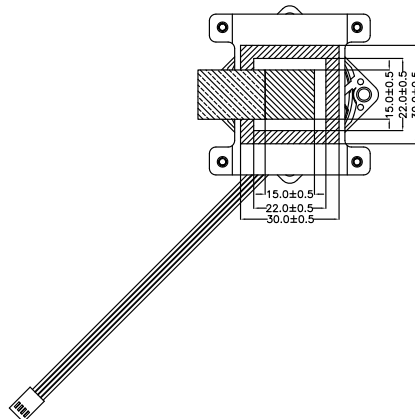


Scale 4:1



NOTES

- 1.LEAD WIRE UL 1061 AWG#28
PIN 1:BLACK WIRE---(-)
PIN 2:YELLOW WIRE---(+)
PIN 3:GREEN WIRE---(SIGNAL)
PIN 4:BLUE WIRE---(PWM INPUT)
- 2.HOUSING:2543-4P(RICE WHITE) OR EQUIVALENT



Model No.	06E-0026A
Outline Dimension	47.0 X 47.0 X 1.80 mm
Clip Material	SK7
Mylar Dimension	47.0 X 47.0 X 0.60 mm
Mylar Material	S10

