

1 2 3 4 5 6 7 8 9 10

A

B

C

D

E

F

A

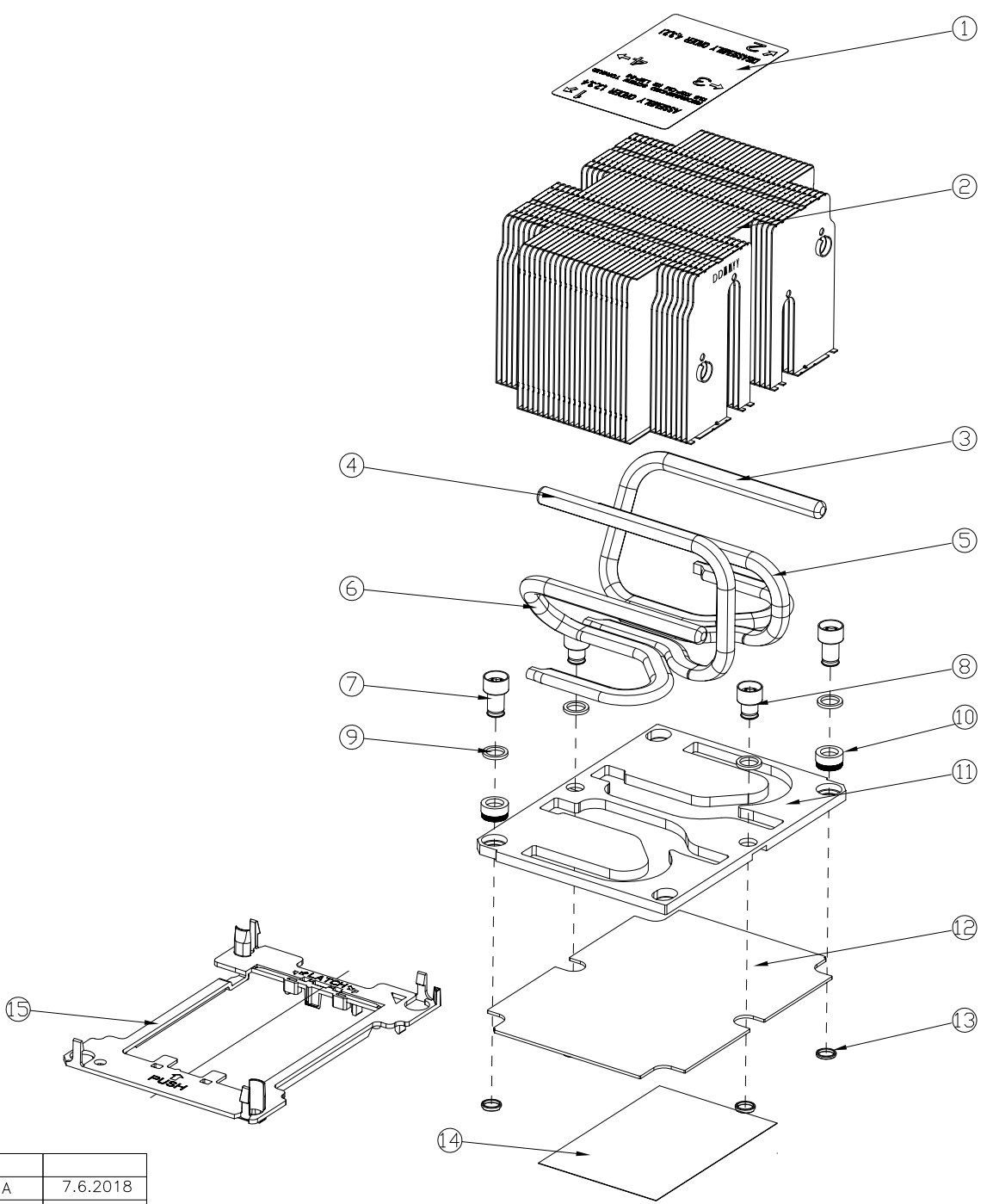
B

C

D


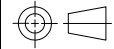
E

F



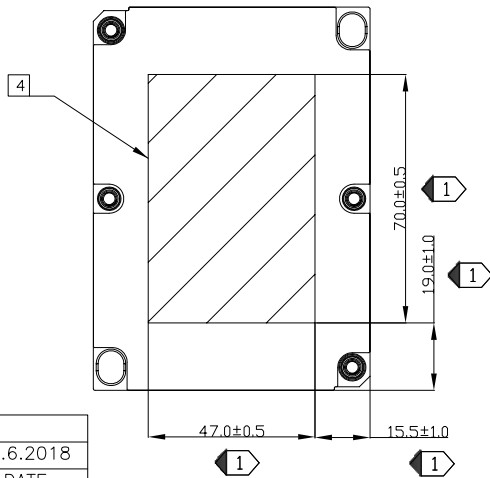
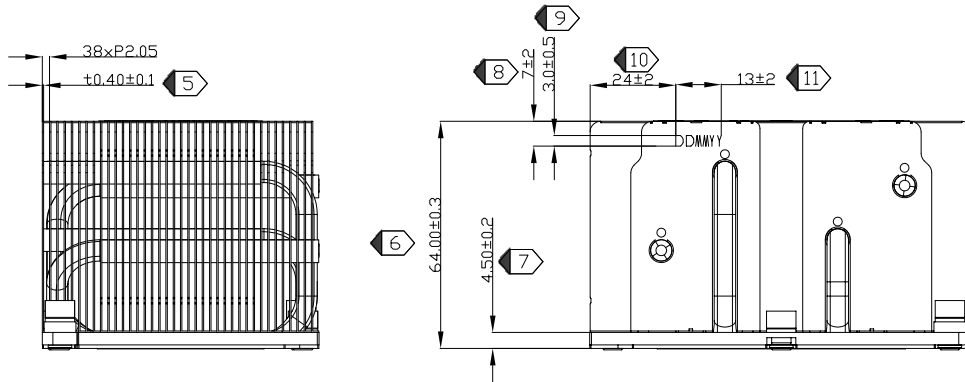
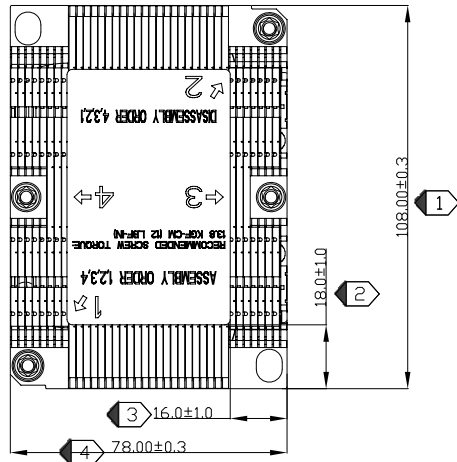
15	C3-0310-03401	塑胶扣具	1	PC
14	C3-1120-00901	导热膏	1.3g	7868
13	C3-1411-04701	扣环	4	尼龙66, 白色
12	C3-1120-00901	铜底片	1	CU 1100
11	C3-1411-04701	铝底板	1	AL 1050
10	C3-0202-15401	铆柱	4	SUS 416
9	C3-0102-28201	垫圈	4	赛钢, 白色
8	C3-0408-22501	M4 螺柱	2	SUS 316
7	C3-0408-22601	M4-1 螺柱	2	SUS 316
6	C3-0206-41201	热管C	1	CU 1020
5	C3-0206-41001	热管A	1	CU 1020
4	C3-0206-41101	热管B	1	CU 1020
3	C3-0206-41301	热管D	1	CU 1020
2	C3-0101-20701	铝扣Fin	1	AL 1100
1	C3-1231-31601	标签	1	消银特多龙
ITEM	PART NO.	PART NAME	QT'Y	REMARKS

PROPRIETARY NOTE:  
 This document contains confidential information and proprietary to Rego Electronics and shall not be reproduced or disclosed to other documents or used for any purpose other than that for which was obtained without the expressed written consent of Rego Electronics.

.X ± 0.30	APPROVED:	 <a href="http://www.rego.com.tw">http://www.rego.com.tw</a>
.XX ± 0.20	CHECKED:	
.XXX ± 0.15	DRAWN:	
X° ± 3'		
	UNITS:	SCALE:
	mm	NONE
TITLE: 2U PASSIVE CPU COOLER FOR INTEL LGA 3647 SEREIS PROCESSOR		PART NO: RG9210-P
SHEET: 1 OF 2		

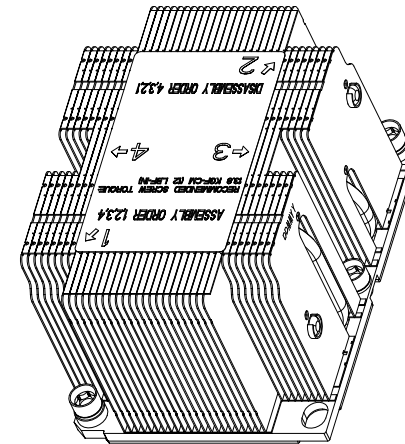
A	7.6.2018
REV	DATE

1 2 3 4 5 6 7 8 9 10


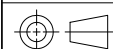


技术要求:

1. 本产品需符合ROHS有害物质管制规范;
2. 焊接采用低温无铅锡膏焊接, 无虚焊、溢锡等焊接不良;
3. 导热膏尺寸: 70\*47\*0.15mm, 型号: X-23-7868;
4. 导热膏区域平面度0.08mm, 底面整体平面度0.13mm;
5. 组装后需检查螺柱、垫圈、扣环是否扣实;
6. 表面不得刮伤, 外观不得脏污;
7. 喷码内容: 310817  
DD:生产日码 (如31号则写31)  
MM:生产月码 (如8月份则写08)  
YY:生产年码 (如2017年则写17)
8. 所有标注 1 均为重要检测尺寸, 进行FAI检验;



A	7.6.2018
REV	DATE

PROPRIETARY NOTE: This document contains confidential information and proprietary to Rego Electronics and shall not be reproduced or disclosed to other documents or used for any purpose other than that for which was obtained without the expressed written consent of Rego Electronics.			
.X ± 0.30	APPROVED: Chris	 <a href="http://www.rego.com.tw">http://www.rego.com.tw</a>	TITLE: 2U PASSIVE CPU COOLER FOR INTEL LGA 3647 SEREIS PROCESSOR  PART NO: RG9210-P
.XX ± 0.20	CHECKED: Denny		
.XXX ± 0.15	DRAWN: Bryan		
X° ± 3'			
 UNITS: mm SCALE: NONE	SHEET: 2 OF 2		