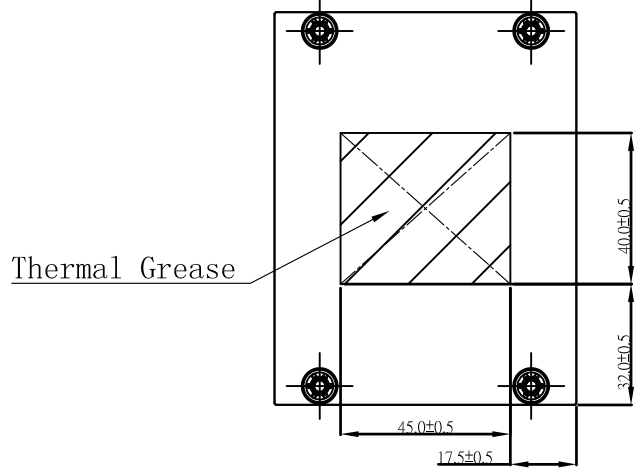
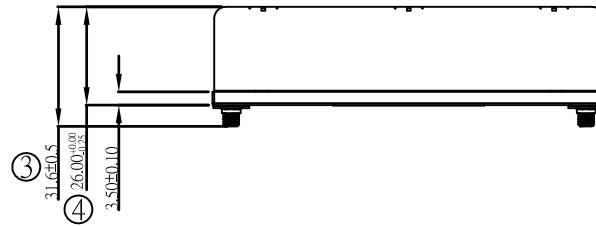
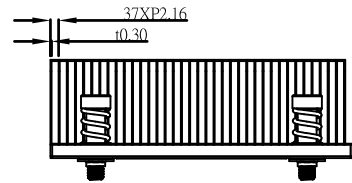
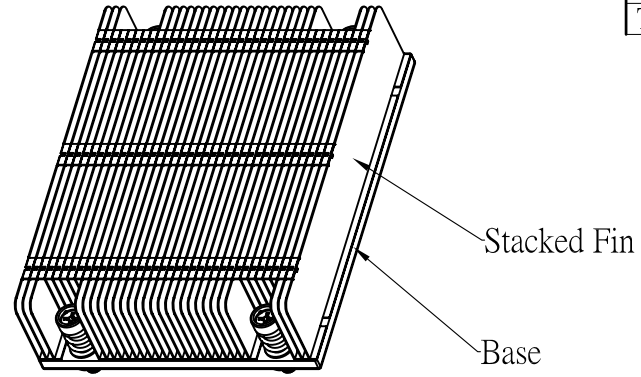
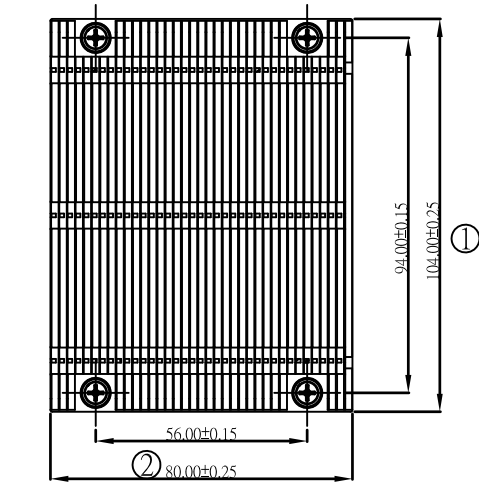




部位	材質
Stacked fin	Aluminum
Base	Aluminum
Thermal Grease	7868



Parameters	FAI	CTQ	SPC	PROPRIETARY NOTE: This document contains confidential information and proprietary to Rego Electronics and shall not be reproduced or disclosed to other documents or used for any purpose other than that for which was obtained without the expressed written consent of Rego Electronics.			
① 104±0.25	●	●	●	.X ± 0.30	APPROVED: Chris	 http://www.rego.com.tw TITLE: 1U PASSIVE NARROW TYPE COOLER FOR INTEL 2011 SOCKET PROCESSORS	
② 80±0.25	●	●	●	.XX ± 0.20	CHECKED: Denny		
③ 31.6±0.5	●	●	●	.XXX ± 0.15	DRAWN: Vicky		
④ 26 ^{+0.00} _{-0.25}	●	●	●	X' ± 3'			
					UNITS: mm	SCALE: NONE	PART NO: RG4113-P
						SHEET: 1 OF 1	