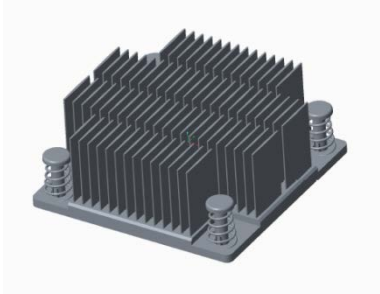


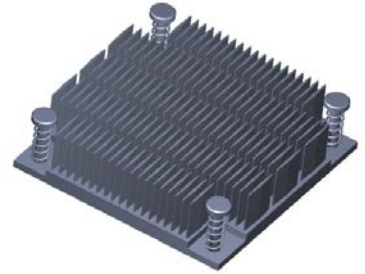
## FP Series Heat Sinks



FPxx003-xxxxBA-100T-x



FPxx003-xxxxBA-200T-x



FPxx003-xxxxBA-300T-x

1: Material : ALUMINUM  
 2: FINISH: BLACK ANODIZE

## SPECIFICATION

SERIES	L X W (mm)	H (mm)	Fin	Clip
FP50003-xxxxBA-100T-M	50X50	6,8,10,15,18, 20, 25, 30	ELLIPTIC	PUSH PIN
FP50003-xxxxBA-200T-M	50X50	6,8,10,15,18, 20, 25, 30	ELLIPTIC	SCREW & SPRING
FP50003-xxxxBA-300T-M	50X50	6,8,10,15,18, 20, 25, 30	ELLIPTIC	COPPER PUSH PIN
FP60003-xxxxBA-100T	60X60	6,8,10,15,20	ELLIPTIC	PUSH PIN
FP60003-xxxxBA-200T	60X60	6,8,10,15,20	ELLIPTIC	SCREW & SPRING
FP60003-xxxxBA-300T	60X60	6,8,10,15,20	ELLIPTIC	COPPER PUSH PIN

1 2 3 4 5 6 7 8 9 10

A

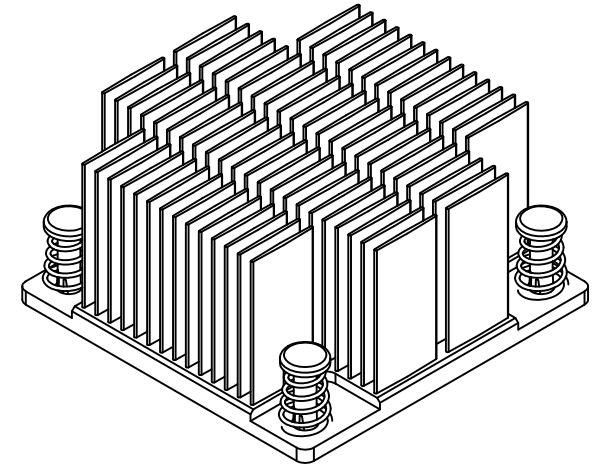
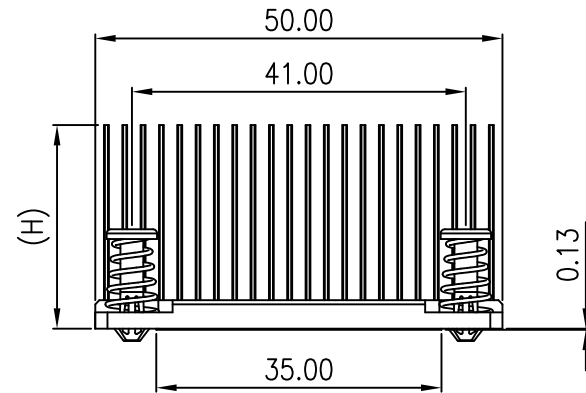
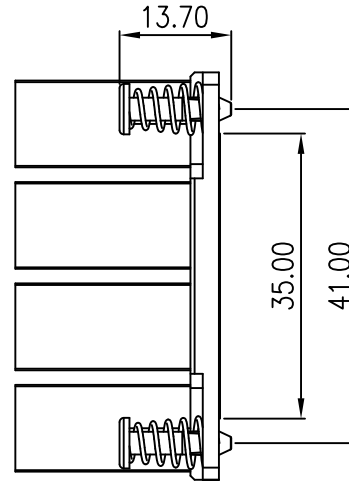
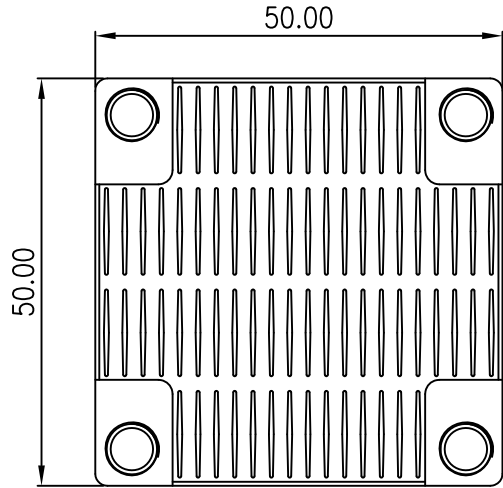
B

C

D


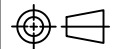
E

F

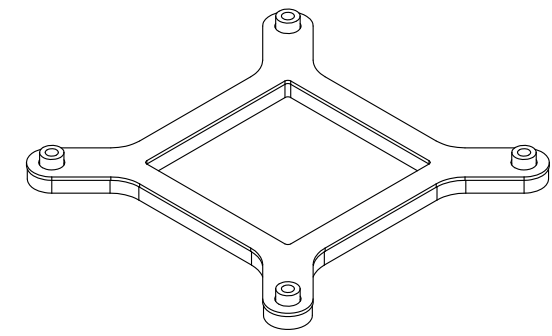
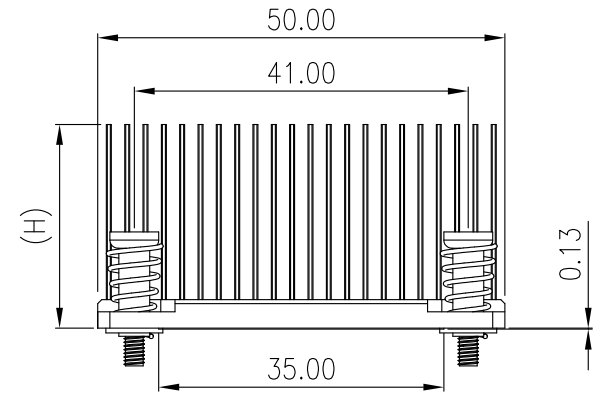
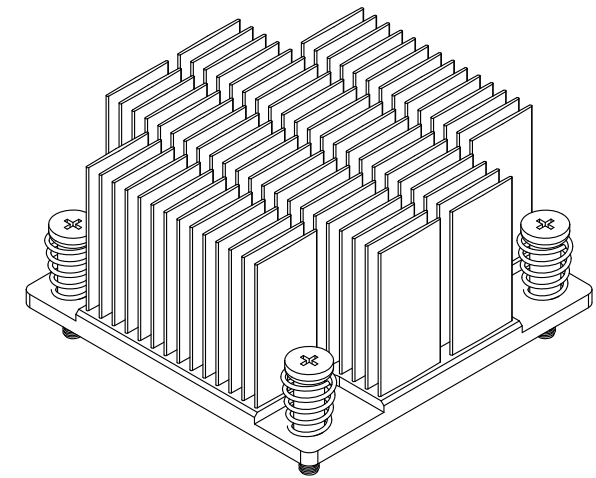
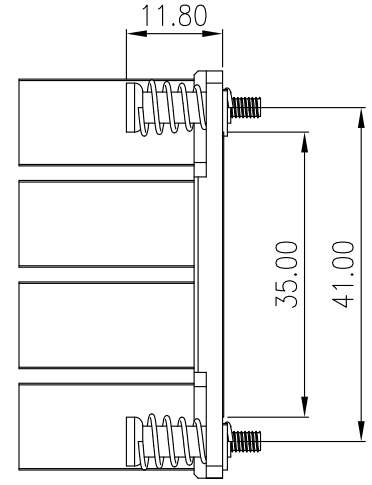
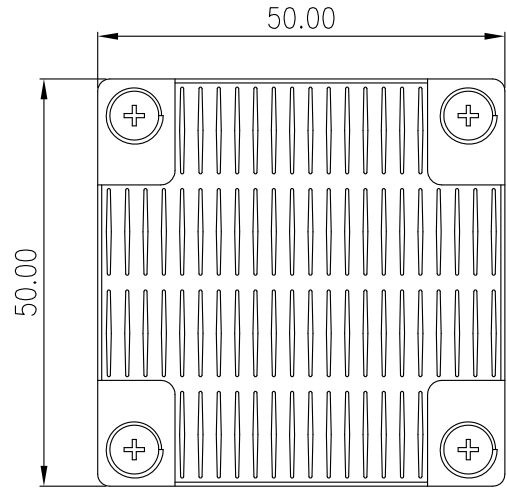


PART NO	HEIGHT(H)	HEAT SINK	Q'TY	PUSH PINS	Q'TY	THERMAL PAD	Q'TY
FP50003-0635BA-100T-M	6	FP50003-0635BA-1-M	1	856-TMAPP002	4	PCS-TC-11 35x35mm 0.13t	1
FP50003-0835BA-100T-M	8	FP50003-0835BA-1-M					
FP50003-1035BA-100T-M	10	FP50003-1035BA-1-M					
FP50003-1535BA-100T-M	15	FP50003-1535BA-1-M					
FP50003-2035BA-100T-M	20	FP50003-2035BA-1-M					
FP50003-2535BA-100T-M	25	FP50003-2535BA-1-M					
FP50003-3035BA-100T-M	30	FP50003-3035BA-1-M					

**PROPRIETARY NOTE:**  
 This document contains confidential information and proprietary to Rego Electronics and shall not be reproduced or disclosed to other documents or used for any purpose other than that for which was obtained without the expressed written consent of Rego Electronics.


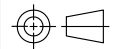
.X ± 0.30	APPROVED: Chris		
.XX ± 0.20	CHECKED: Andy		
.XXX ± 0.15	DRAWN: Vic		
X° ± 3'			
	UNITS: mm	SCALE: NONE	TITLE: Heat Sink Assembly Aluminum 50x50xH(06-30)mm with PUSH PINS PART NO: FP50003-xxxxBA-100T-M SHEET: 1 of 1

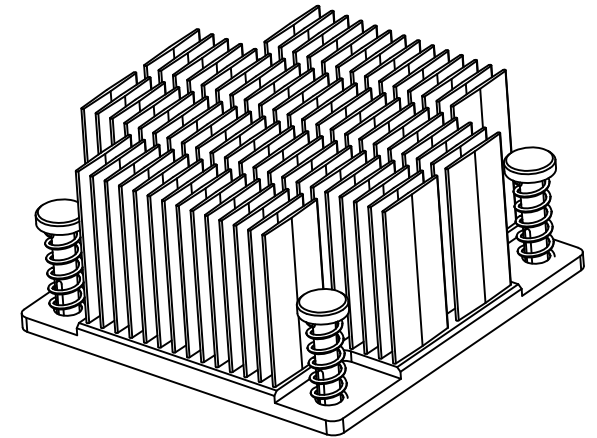
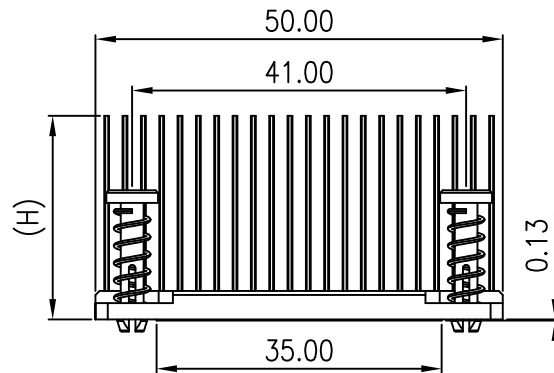
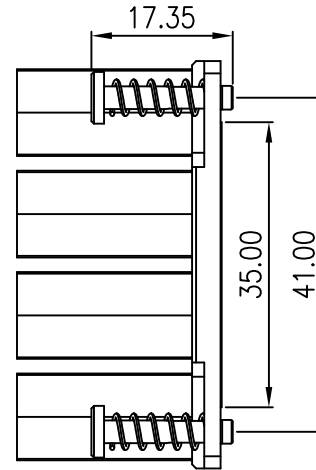
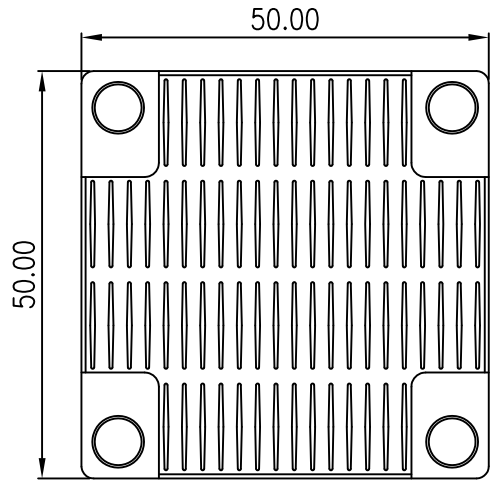
1 2 3 4 5 6 7 8 9 10



PART NO	HEIGHT(H)	HEAT SINK	Q'TY	SCREW	SPRING	Q'TY	THERMAL PAD	Q'TY	PLATE	Q'TY
FP50003-0625BA-200T-M	6	FP50003-0625BA-2-M	1	769-SSE0001	4	PCS-TC-11 35x35mm 0.13t	1	850-TMABP009	1	
FP50003-0825BA-200T-M	8	FP50003-0825BA-2-M								
FP50003-1035BA-200T-M	10	FP50003-1035BA-2-M								
FP50003-1535BA-200T-M	15	FP50003-1535BA-2-M								
FP50003-2035BA-200T-M	20	FP50003-2035BA-2-M								
FP50003-2535BA-200T-M	25	FP50003-2535BA-2-M								
FP50003-3035BA-200T-M	30	FP50003-3035BA-2-M								

PROPRIETARY NOTE:  
This document contains confidential information and proprietary to Rego Electronics and shall not be reproduced or disclosed to other documents or used for any purpose other than that for which was obtained without the expressed written consent of Rego Electronics.


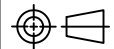
.X ± 0.30	APPROVED: Chris	 <a href="http://www.rego.com.tw">http://www.rego.com.tw</a>	
.XX ± 0.20	CHECKED: Denny		
.XXX ± 0.15	DRAWN: Vicky		
X° ± 3'			
	UNITS: mm	SCALE: NONE	TITLE: Heat Sink Assembly Aluminum 50x50xH(06-30)mm with SCREW
			PART NO: FP50003-xxxxBA-200T-M
			SHEET: 1 of 1

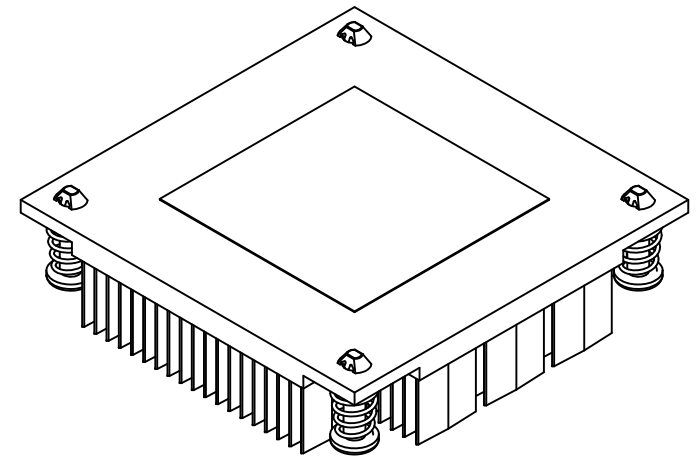
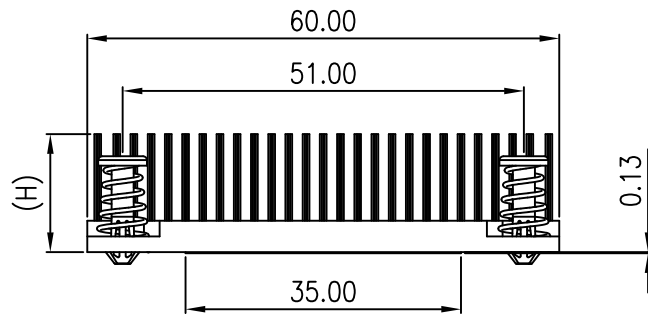
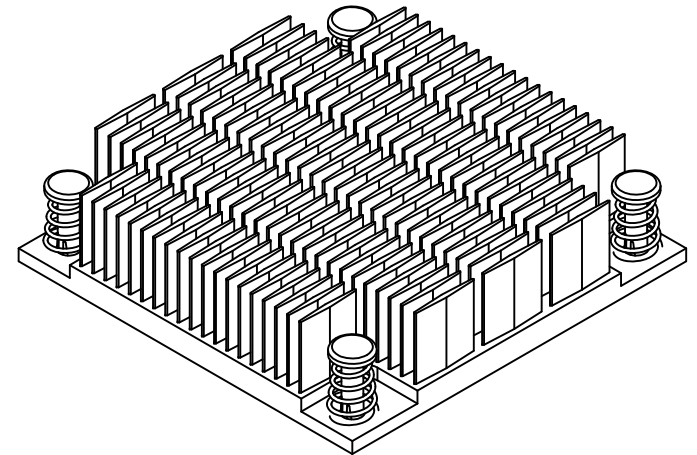
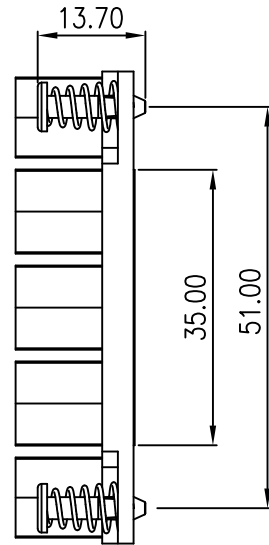
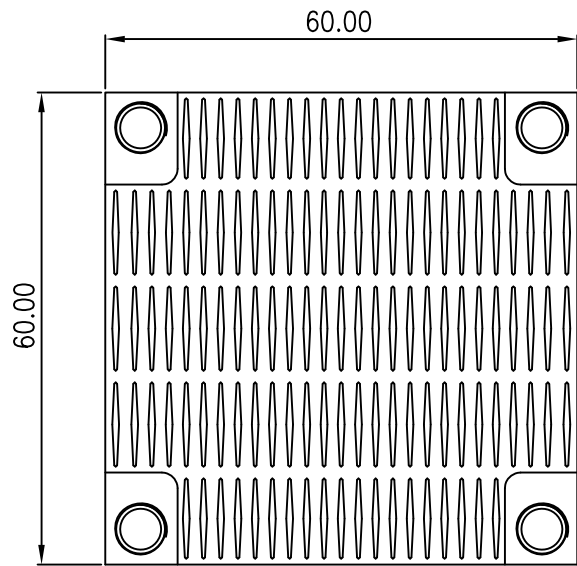


PART NO	HEIGHT(H)	HEAT SINK	Q'TY	PUSH PINS	Q'TY	THERMAL PAD	Q'TY
FP50003-0635BA-300T-M	6	FP50003-0635BA-1-M	1	F049-000007	4	PCS-TC-11 35x35mm 0.13t	1
FP50003-0835BA-300T-M	8	FP50003-0835BA-1-M					
FP50003-1035BA-300T-M	10	FP50003-1035BA-1-M					
FP50003-1535BA-300T-M	15	FP50003-1535BA-1-M					
FP50003-2035BA-300T-M	20	FP50003-2035BA-1-M					
FP50003-2535BA-300T-M	25	FP50003-2535BA-1-M					
FP50003-3035BA-300T-M	30	FP50003-3035BA-1-M					

PROPRIETARY NOTE:


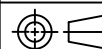
This document contains confidential information and proprietary to Rego Electronics and shall not be reproduced or disclosed to other documents or used for any purpose other than that for which was obtained without the expressed written consent of Rego Electronics.

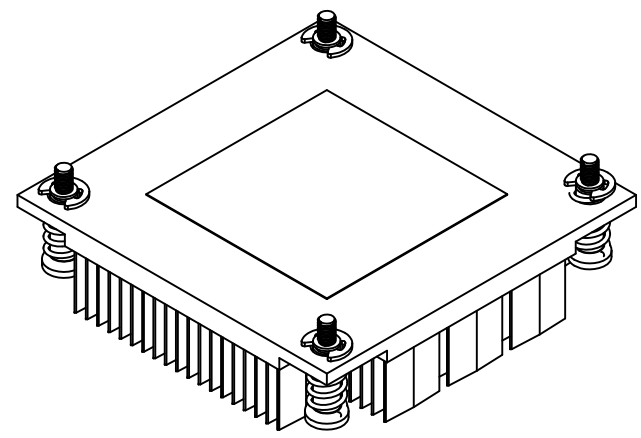
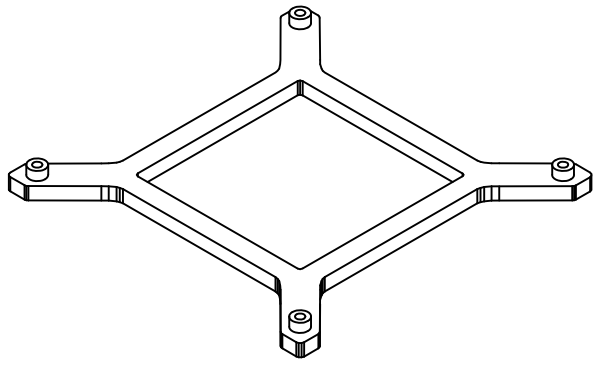
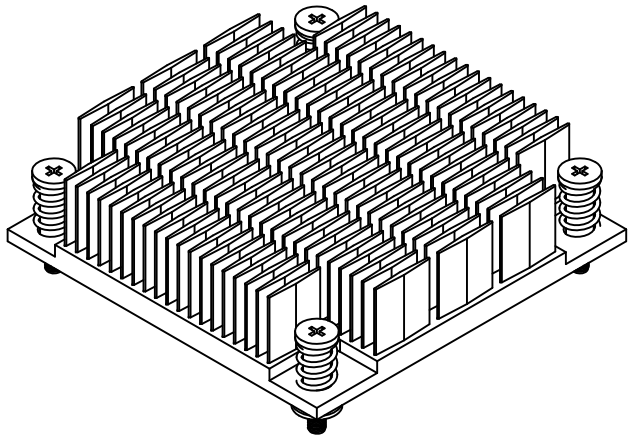
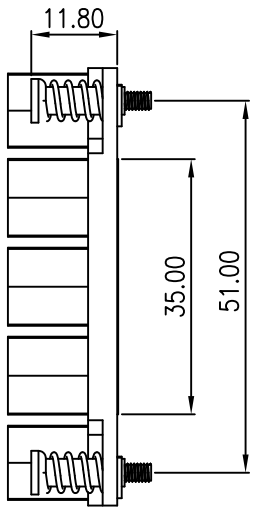
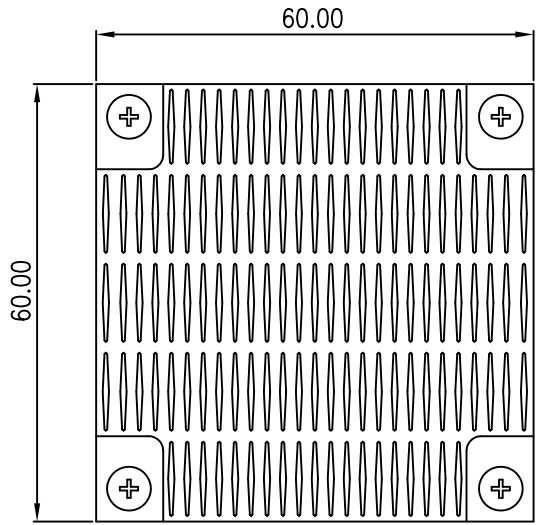
.X ± 0.30	APPROVED: Chris	 <a href="http://www.rego.com.tw">http://www.rego.com.tw</a>	
.XX ± 0.20	CHECKED: Andy		
.XXX ± 0.15	DRAWN: Vic		
X° ± 3'			
	UNITS: mm	SCALE: NONE	TITLE: Heat Sink Assembly Aluminum 50x50xH(06-30)mm with PUSH PINS
			PART NO: FP50003-xxxxBA-300T-M SHEET: 1 of 1



PART NO	HEIGHT(H)	HEAT SINK	Q'TY	PUSH PINS	Q'TY	Thermal pad	Q'TY
FP60003-0630BA-100T	6	FP60003-0630BA-1	1	856-TMAPP002	4	PCS-TC-11 35x35mm 0.13t	1
FP60003-0830BA-100T	8	FP60003-0830BA-1					
FP60003-1040BA-100T	10	FP60003-1040BA-1					
FP60003-1540BA-100T	15	FP60003-1540BA-1					
FP60003-2040BA-100T	20	FP60003-2040BA-1					


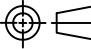
PROPRIETARY NOTE:  
This document contains confidential information and proprietary to Rego Electronics and shall not be reproduced or disclosed to other documents or used for any purpose other than that for which was obtained without the expressed written consent of Rego Electronics.

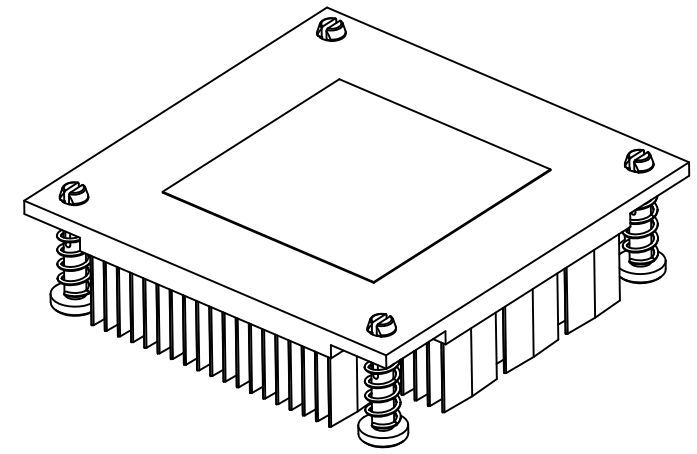
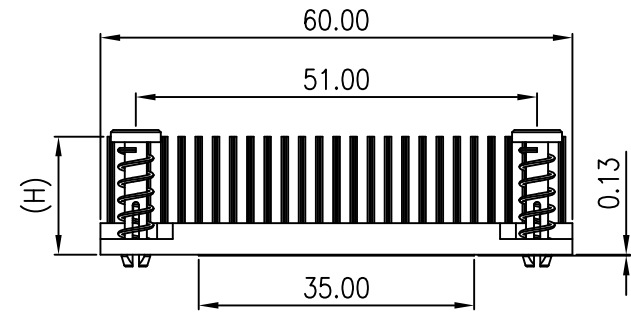
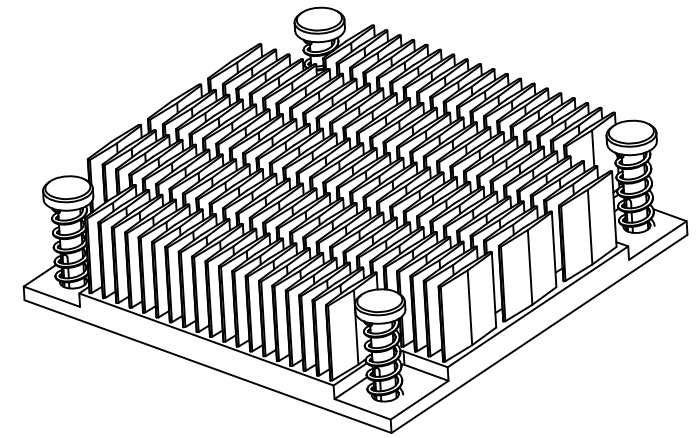
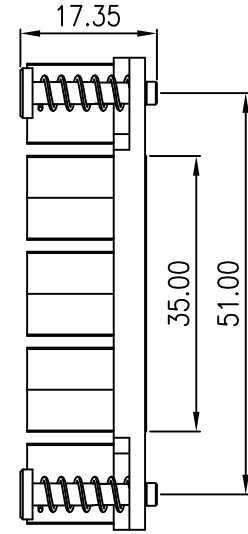
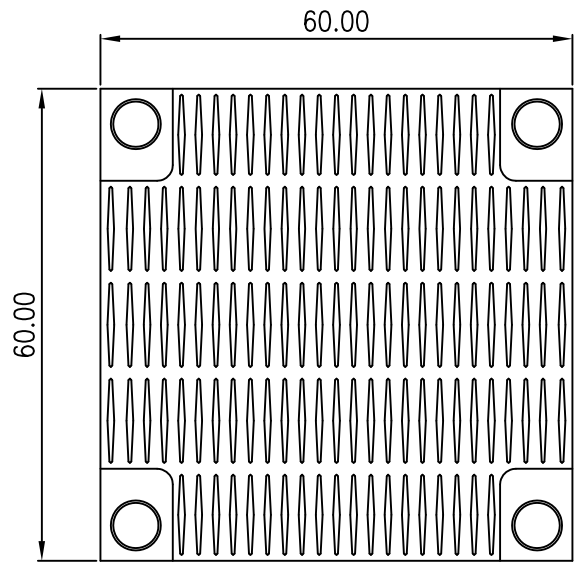
.X ± 0.30	APPROVED: Chris	 <a href="http://www.rego.com.tw">http://www.rego.com.tw</a>	
.XX ± 0.20	CHECKED: Andy		
.XXX ± 0.15	DRAWN: Vic		
X* ± 3'			
	UNITS: mm	SCALE: NONE	TITLE: Heat Sink Assembly Aluminum 60x60xH(06-20)mm with PUSH PINS
			PART NO: FP60003-xxxxBA-100T
			SHEET: 1 OF 1



PART NO	HEIGHT(H)	HEAT SINK	Q'TY	SCREW SPRING	Q'TY	THERMAL PAD	Q'TY	PLATE	Q'TY
FP60003-0630BA-200T	6	FP60003-0630BA-2	1	769-SSE0001	4	PCS-TC-11 35x35mm 0.13t	1	850-TMABP001	1
FP60003-0830BA-200T	8	FP60003-0830BA-2							
FP60003-1040BA-200T	10	FP60003-1040BA-2							
FP60003-1540BA-200T	15	FP60003-1540BA-2							
FP60003-2040BA-200T	20	FP60003-2040BA-2							


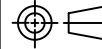
PROPRIETARY NOTE:  
This document contains confidential information and proprietary to Rego Electronics and shall not be reproduced or disclosed to other documents or used for any purpose other than that for which was obtained without the expressed written consent of Rego Electronics.

.X ± 0.30	APPROVED: Chris	 <a href="http://www.rego.com.tw">http://www.rego.com.tw</a> TITLE: Heat Sink Assembly Aluminum 60x60xH(06-20)mm with SCREW	
.XX ± 0.20	CHECKED: Andy		
.XXX ± 0.15	DRAWN: Vic		
X* ± 3'			
	UNITS: mm	SCALE: NONE	PART NO: FP60003-xxxxBA-200T
			SHEET: 1 OF 1



PART NO	HEIGHT(H)	HEAT SINK	Q'TY	PUSH PINS	Q'TY	Thermal pad	Q'TY
FP60003-0630BA-300T	6	FP60003-0630BA-1	1	F049-000007	4	PCS-TC-11 35x35mm 0.13t	1
FP60003-0830BA-300T	8	FP60003-0830BA-1					
FP60003-1040BA-300T	10	FP60003-1040BA-1					
FP60003-1540BA-300T	15	FP60003-1540BA-1					
FP60003-2040BA-300T	20	FP60003-2040BA-1					

PROPRIETARY NOTE:  
This document contains confidential information and proprietary to Rego Electronics and shall not be reproduced or disclosed to other documents or used for any purpose other than that for which was obtained without the expressed written consent of Rego Electronics.

.X ± 0.30	APPROVED: Chris	 <a href="http://www.rego.com.tw">http://www.rego.com.tw</a>
.XX ± 0.20	CHECKED: Andy	
.XXX ± 0.15	DRAWN: Vic	
X* ± 3'		
	UNITS: mm	SCALE: NONE
PART NO: FP60003-xxxxBA-300T		SHEET: 1 OF 1