

Rated Voltage : 12V

Operating Temp : 10~70°C

Protection : Auto-Restart/ Impedance

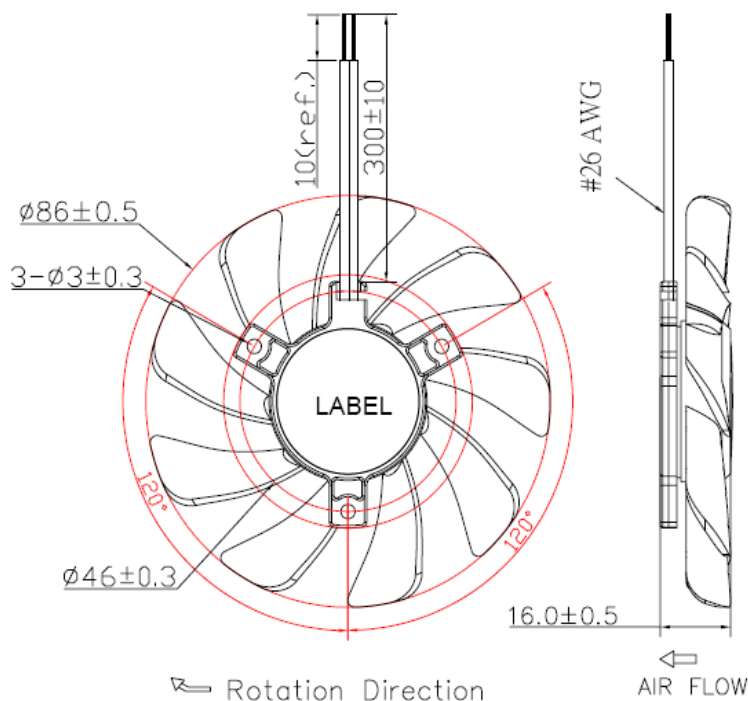
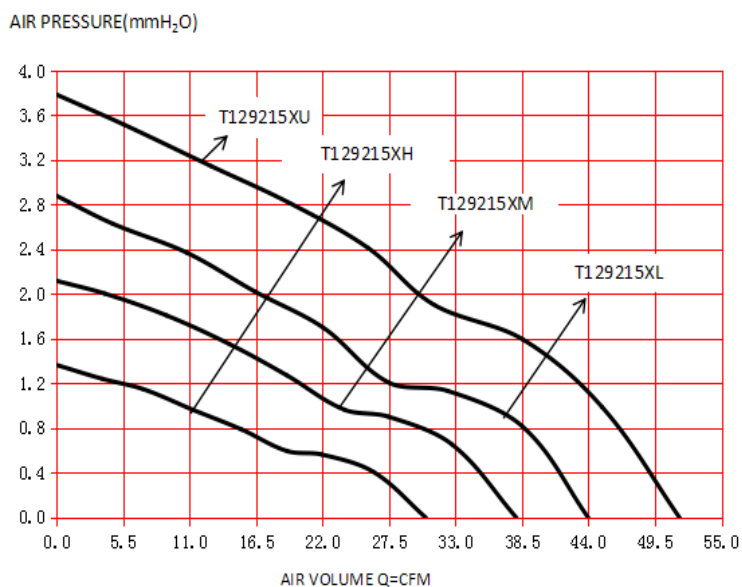
Material : Housing Plastic (UL : 94V-0)
 Impeller Plastic (UL : 94V-0)

Weight : 32g

Safety Approval



AIR FLOW-AIR PRESSURE(PERFORMANCE CURVES)



Series	Bearing (*)	Rated Voltage (V)	Rated Current (Amp)	Input Power (W)	Rated Speed (rpm)	Air Flow		Static Pressure (mmH ₂ O)	Noise dB(A)
						(CFM)	m ³ /min		
T129215XL	▲●	12	0.07	0.84	2000	30.54	0.87	1.37	24.0
T129215XM	▲●	12	0.12	1.44	2500	38.04	1.08	2.12	28.0
T129215XH	▲●	12	0.20	2.40	3000	44.05	1.25	2.88	35.5
T129215XU	▲●	12	0.27	3.24	3500	51.60	1.46	3.78	36.8

*Bearing Type : ○ Sleeve ▲EBR ●2 Ball

*Noise measured at the distance of one meter from the axis of intake.

*The latest version would be as per the standard issued by REGO only.