

1 2 3 4 5 6 7 8 9 10

A

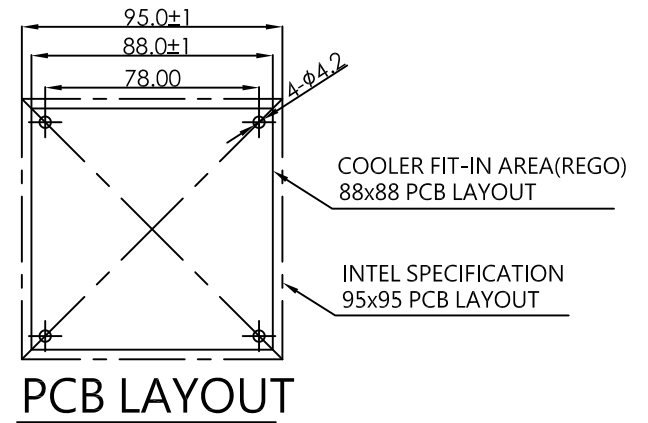
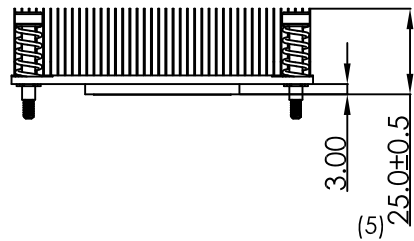
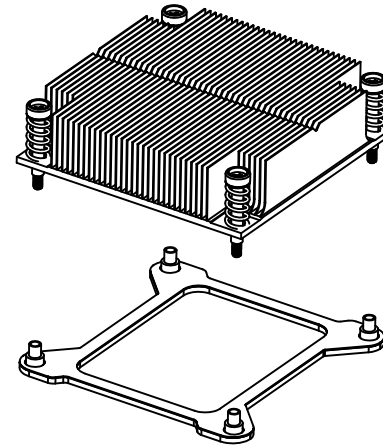
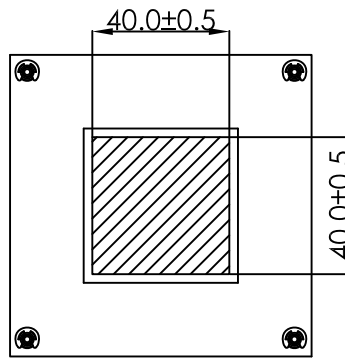
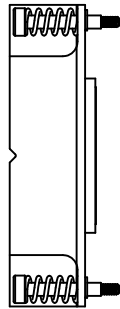
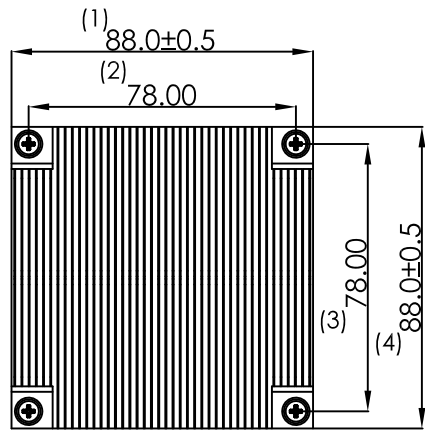
B

C

D

E

F



**PCB LAYOUT**

**NOTES:**

NO	PART NAME / NUMBER	DESCRIPTION	PCS
0	RGD3128-P2-N	88x88x25	1
1	THERMAL GREASE	X23-7762 (40x40x0.15)	1
2	850-BP1700-5	89x89x9.05	1



PROPRIETARY NOTE  
 THIS DOCUMENT CONTAINS CONFIDENTIAL INFORMATION AND PROPRIETARY TO REGO ELECTRONICS AND SHALL NOT BE REPRODUCED OR DISCLOSED TO OTHER DOCUMENTS OR USED FOR ANY PURPOSE OTHER THAN THAT FOR WHICH WAS OBTAINED WITHOUT THE EXPRESSED WRITTEN CONSENT OF REGO ELECTRONICS.

PROJECT	APPROVED	MATERIAL	DATE	.X° ± 3°
	CHRIS	SEE NOTE	2021/12/07	.X ± 0.30
TITLE	CHECKED	FINISH	SCALE	.XX ± 0.20
1U CPU COOLER FOR SOCKET LGA 1700 PROCESSORS	LEVI	SEE NOTE	1:1	.XXX ± 0.10
PART NO	DRAWN	UNITS	REV	SHEET
RGD3128-P2-002	VIC	mm	A	1 OF 1

1 2 3 4 5 6 7 8 9 10