

1 2 3 4 5 6 7 8 9 10

A

B

C

D

E

F

A

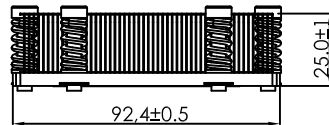
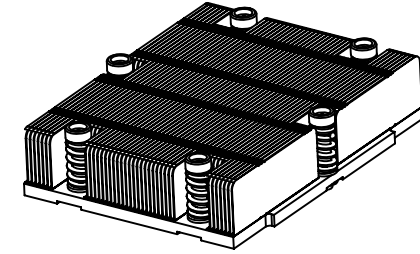
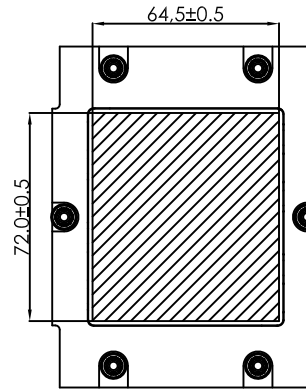
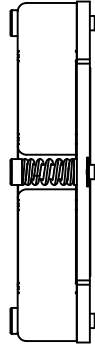
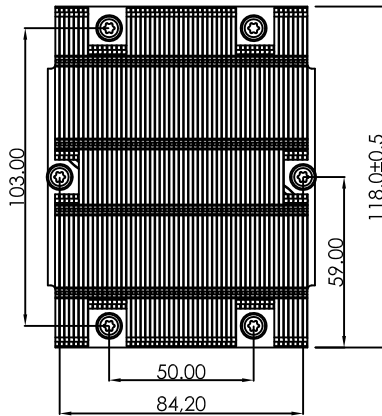
B

C

D

E

F



NOTES:

NO	PART NAME / NUMBER	DESCRIPTION	PCS
0	RGE110-N		1
1	THERMAL GREASE	X23-7762 (64.5x72x0.15)	1



PROPRIETARY NOTE

THIS DOCUMENT CONTAINS CONFIDENTIAL INFORMATION AND PROPRIETARY TO REGO ELECTRONICS AND SHALL NOT BE REPRODUCED OR DISCLOSED TO OTHER DOCUMENTS OR USED FOR ANY PURPOSE OTHER THAN THAT FOR WHICH WAS OBTAINED WITHOUT THE EXPRESSED WRITTEN CONSENT OF REGO ELECTRONICS.

PROJECT	APPROVED	MATERIAL	DATE	.X° ± 3°
	CHRIS	SEE NOTE	2023/08/21	.X ± 0.30
TITLE	CHECKED	FINISH	SCALE	.XX ± 0.20
1U PASSIVE COOLER FOR AMD SP5 PROCESSORS	LEVI	SEE NOTE	1:1	.XXX ± 0.10
PART NO	DRAWN	UNITS	REV	SHEET
RGE110-P	VIC	mm	A	1 OF 1

1 2 3 4 5 6 7 8 9 10