

Elliptic Fin Forge Heat Sinks

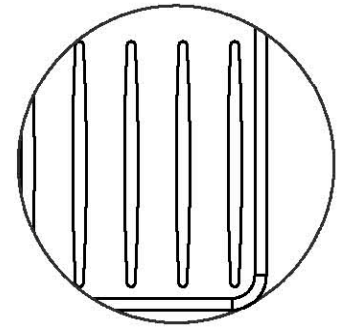
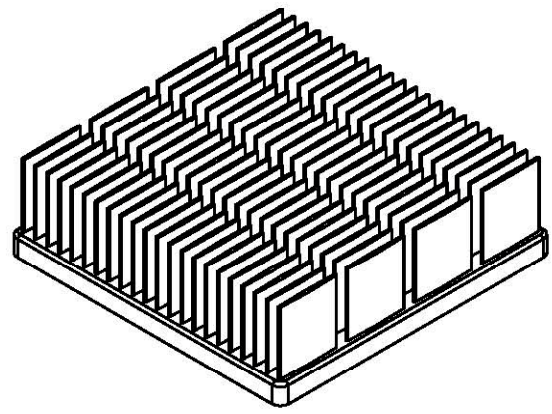
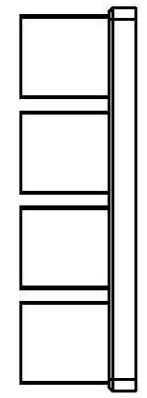
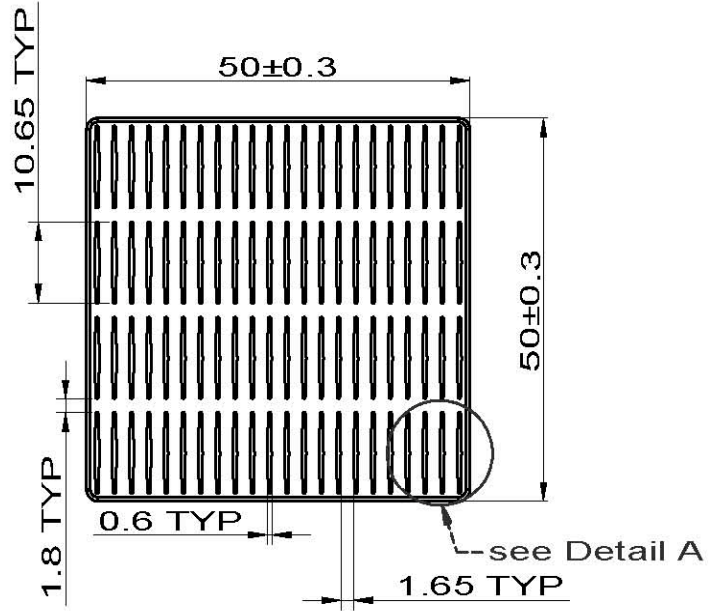


- Material: AL 6063,
- Finish: Black anodized
- Dimensions (mm)

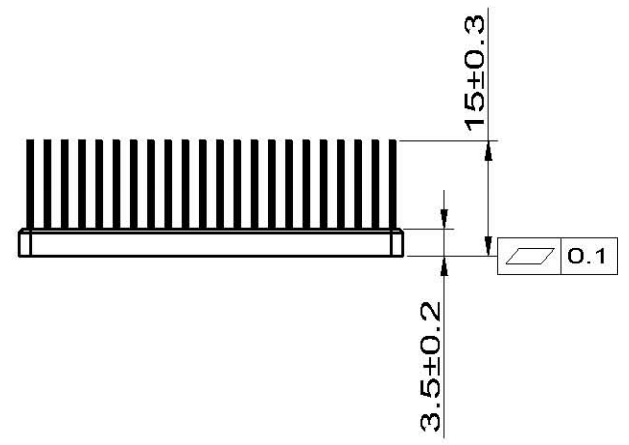
SPECIFICATION

Part Number	L X W (mm)	H (mm)	Fin
RG1100H-5015ZA	50x50	15	ELLIPTIC
RG1100H-5020A	50x50	20	ELLIPTIC
RG1100H-5025ZA	50x50	25	ELLIPTIC
RG1100H-6015ZA	60x60	15	ELLIPTIC
RG1100H-6020ZA	60x60	20	ELLIPTIC
RG1100H-6025ZA	60x60	25	ELLIPTIC

Rev.	Description	Date	Checked
A	new release	04.08.2010	Candice



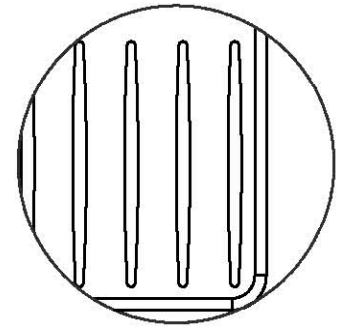
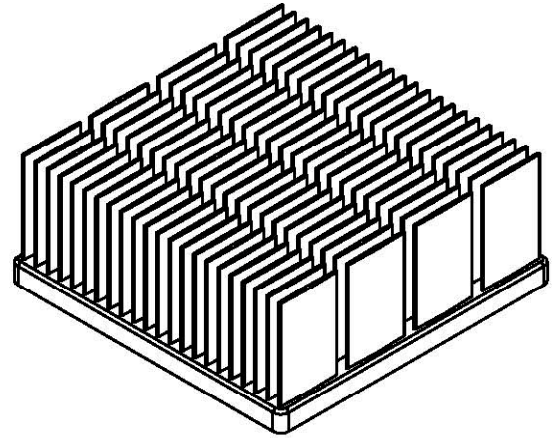
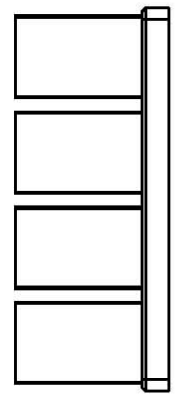
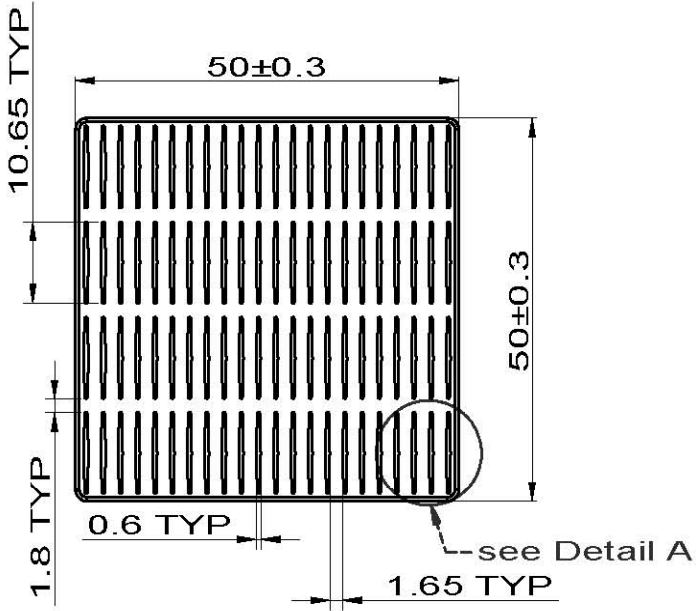
Detail A
Scale 3 : 1



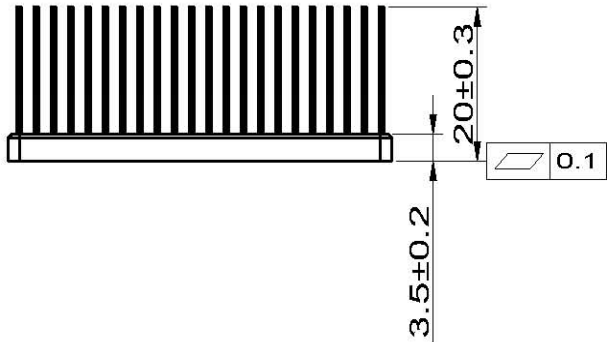
Unit:	MM
Tolerance table	
X.	=±0.30
X.X	=±0.20
X.XX	=±0.10
Angle	=±1°

Finish:	black anodize			
Material:	AL 1070			
Date:	04.08.2010	Approved:	Checked:	Rev.:
Title:	heat sink	CL	Betty	Candice
PART NO.:		A		
REGO ELECTRONICS INC.		RG1100H-5015ZA		


Rev.	Description	Date	Checked
A	new release	04.08.2010	Candice



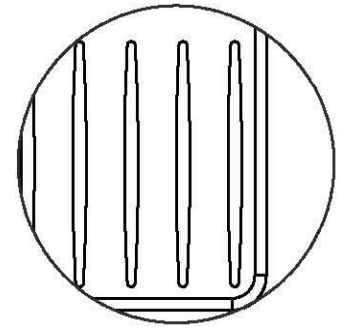
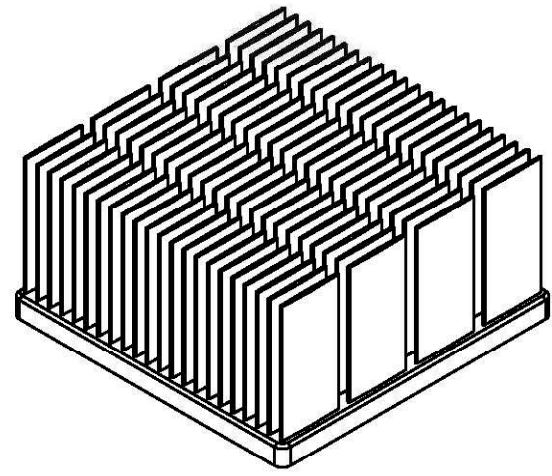
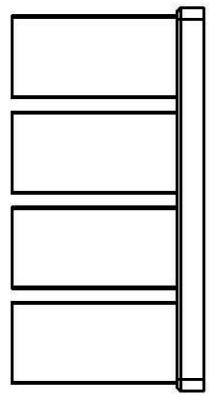
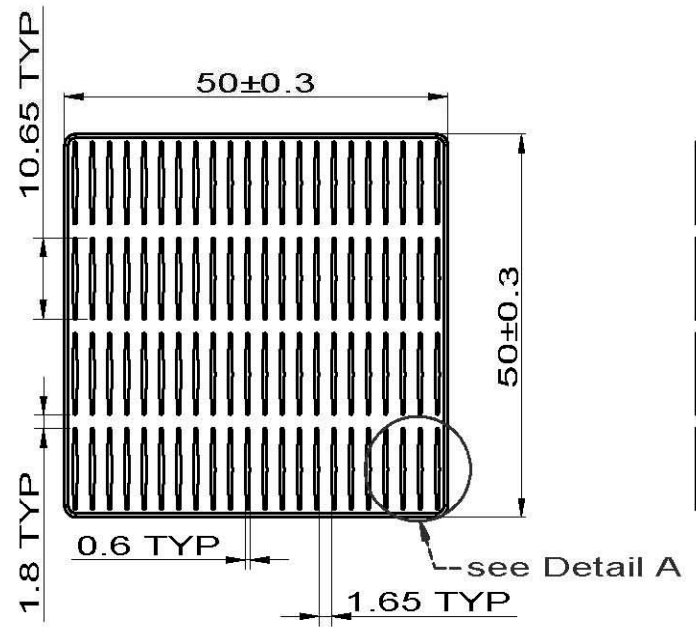
Detail A
Scale 3 : 1



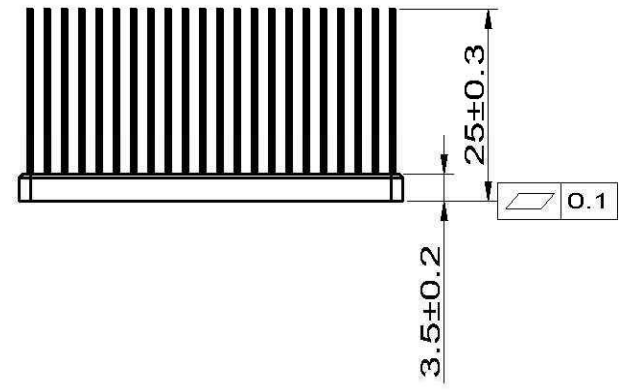
Unit:	MM
Tolerance table	
X.	=±0.30
X.X	=±0.20
X.XX	=±0.10
Angle	=±1°

Finish:	black anodize				
Material:	AL 1070				
Date:	04.08.2010	Approved:	C.L.	Checked:	Betty
Title:	heat sink	Drawn:	Candice	Rev.:	A
		 REGO ELECTRONICS INC. PART NO.: RG1100H-5020ZA			

Rev.	Description	Date	Checked
A	new release	04.08.2010	Candice



Detail A
Scale 3 : 1



Unit:	MM
Tolerance table	
X.	=±0.30
X.X	=±0.20
X.XX	=±0.10
Angle	=±1°

Finish:	black anodize				
Material:	AL 1070				
Date:	04.08.2010	Approved:	C.L.	Checked:	Betty
Title:	heat sink	Drawn:	Candice	Rev.:	A
PART NO.:		REGO ELECTRONICS INC.			
REG1100H-5025ZA					

1 2 3 4 5 6 7 8 9 10

A

B

C

D

E

F

A

B

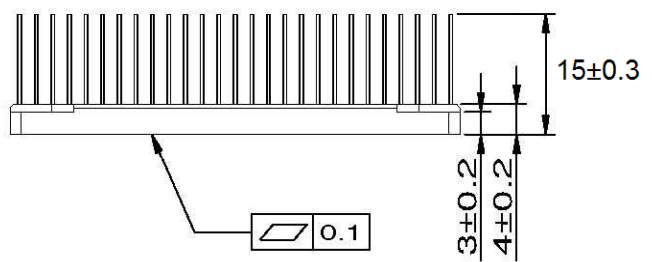
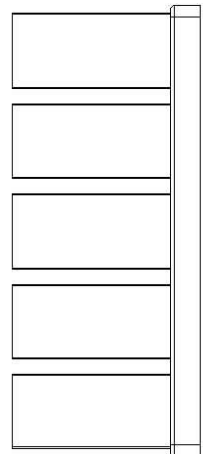
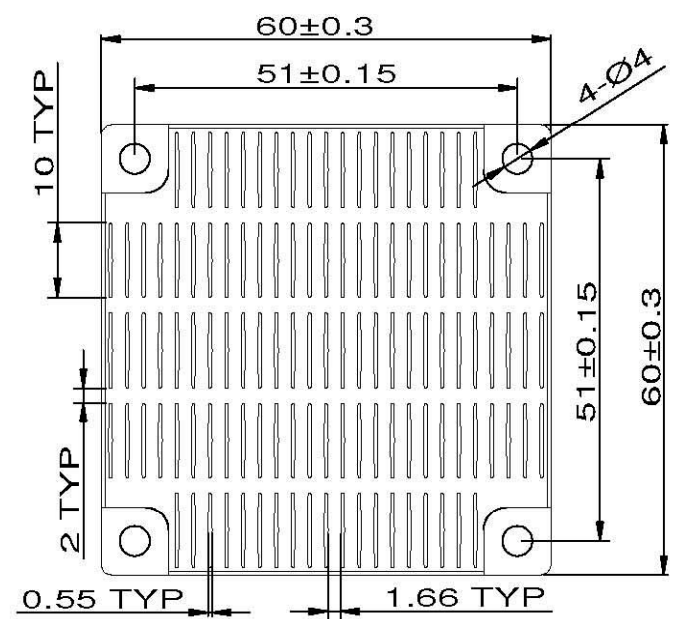
C

D


E

F

Rev.	Description	Date	Checked
A	new release	05.19.2010	Candice



Unit:	MM
Tolerance table	
X.	± 0.30
X.X	± 0.20
X.XX	± 0.10
Angle	$\pm 1^\circ$

Finish:	black anodize				
Material:	AL 1070				
Date:	05.19.2010				
Title:	heat sink				
 REGO ELECTRONICS INC.		Approved:	Checked:	Drawn:	Rev.:
		C.L.	Betty	Candice	A
Model no.:		RG1100H-6015ZA			

1 2 3 4 5 6 7 8 9 10 A2

1 2 3 4 5 6 7 8 9 10

A

B

C

D

E

F

A

B

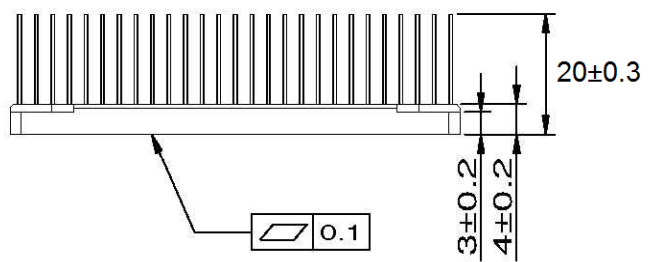
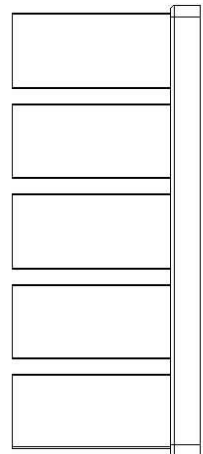
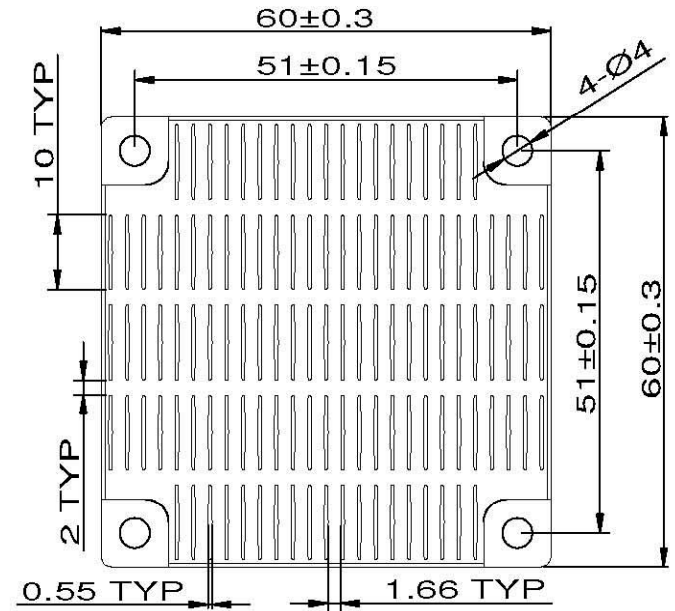
C

D

E

F

Rev.	Description	Date	Checked
A	new release	05.19.2010	Candice



Unit:	MM
Tolerance table	
X.	± 0.30
X.X	± 0.20
X.XX	± 0.10
Angle	$\pm 1^\circ$

Finish:	black anodize			
Material:	AL 1070			
Date:	05.19.2010			
Title:	heat sink			
 REGO ELECTRONICS INC.		Approved:	Checked:	Drawn:
		C.L.	Betty	Candice
Model no.:		RG1100H-6020ZA		
		Rev.:	A	

1 2 3 4 5 6 7 8 9 10 A2

1 2 3 4 5 6 7 8 9 10

A

B

C

D

E

F

A

B

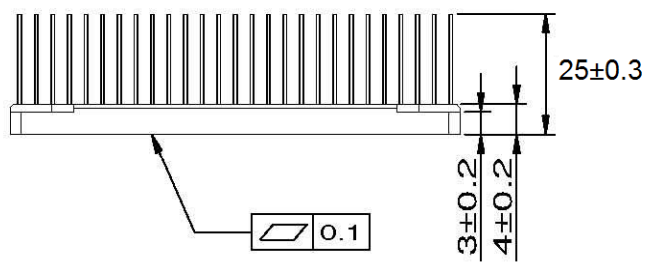
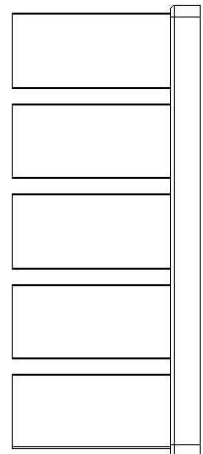
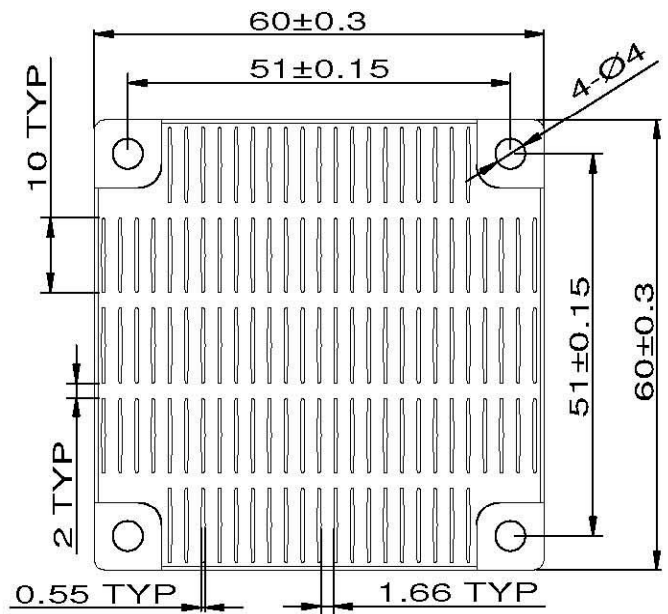
C

D


E

F

Rev.	Description	Date	Checked
A	new release	05.19.2010	Candice



Unit:	MM
Tolerance table	
X.	± 0.30
X.X	± 0.20
X.XX	± 0.10
Angle	$\pm 1^\circ$

Finish:	black anodize			
Material:	AL 1070			
Date:	05.19.2010			
Title:	heat sink			
 REGO ELECTRONICS INC.		Approved:	Checked:	Drawn:
		C.L.	Betty	Candice
Model no.:		RG1100H-6025ZA		
		Rev.:	A	

1 2 3 4 5 6 7 8 9 10 A2