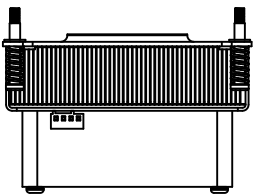
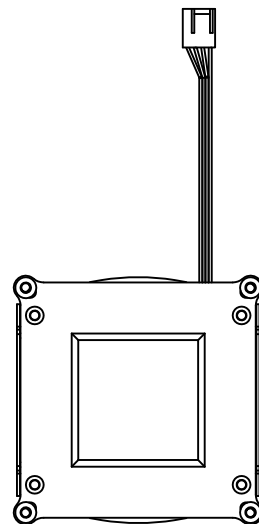
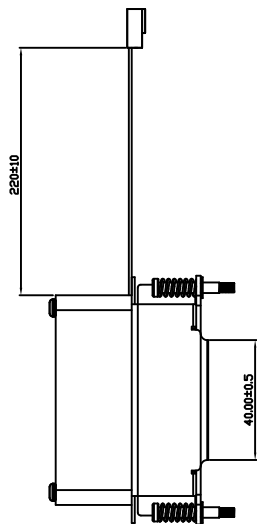
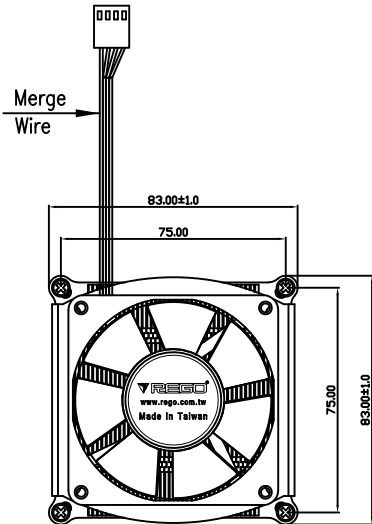
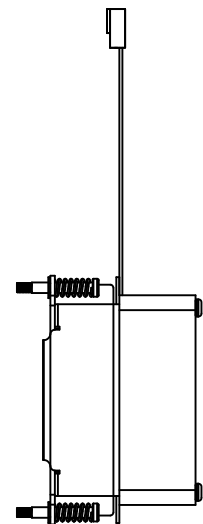


1 2 3 4 5 6 7 8 9 10

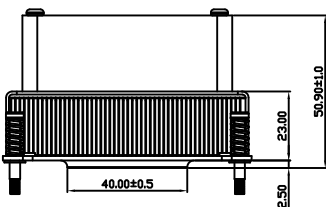
A



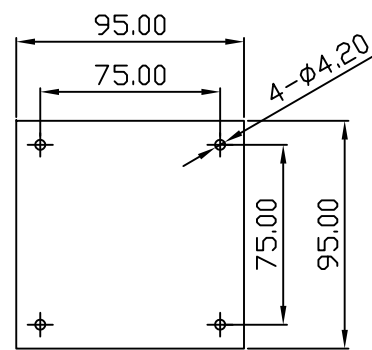
B



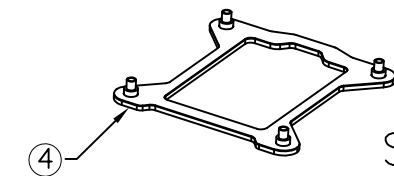
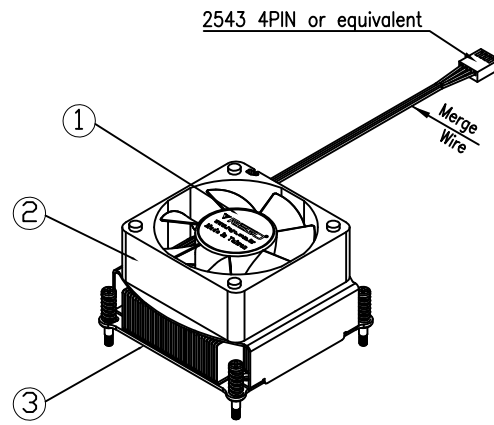
D



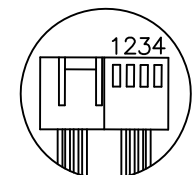
E



PCB LAYOUT




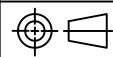
Scale 4:1



- Note:
- LEAD WIRE UL 1061 #26AWG
 Pin1. <BLACK> GND(-)
 Pin2. <YELLOW> VCC(+)
 Pin3. <GREEN> Signal(FG)
 Pin4. <BLUE> PWM INPUT
 - HOUSING:2543-4P or EQUIVALENT

ITEM	PART	DESCRIPTION	QTY
1	RGE-ST002	Fan Label	1
2	R127025BUAF077aR	FAN Fan 6025-R127025BUAF077aR	1
3	17-00020813	Full Copper Heat Sink Module	1
4	850-BP1156	SPCC 1156 BACK PLATE	1

PROPRIETARY NOTE:
 This document contains confidential information and proprietary to Rego Electronics and shall not be reproduced or disclosed to other documents or used for any purpose other than that for which was obtained without the expressed written consent of Rego Electronics.

.X ± 0.30	APPROVED: Chris	 http://www.rego.com.tw
.XX ± 0.20	CHECKED: Levi	
.XXX ± 0.15	DRAWN: Vic	
X* ± 3'		
 UNITS: mm SCALE: NONE	TITLE: 2U CPU Cooler For Intel 115X Processors	PART NO: RG321B SHEET: 1 OF 1

1 2 3 4 5 6 7 8 9 10

F