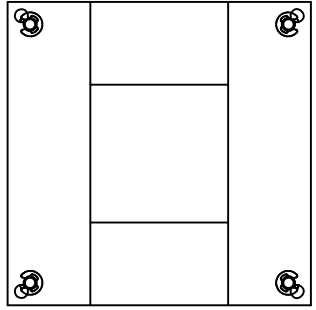
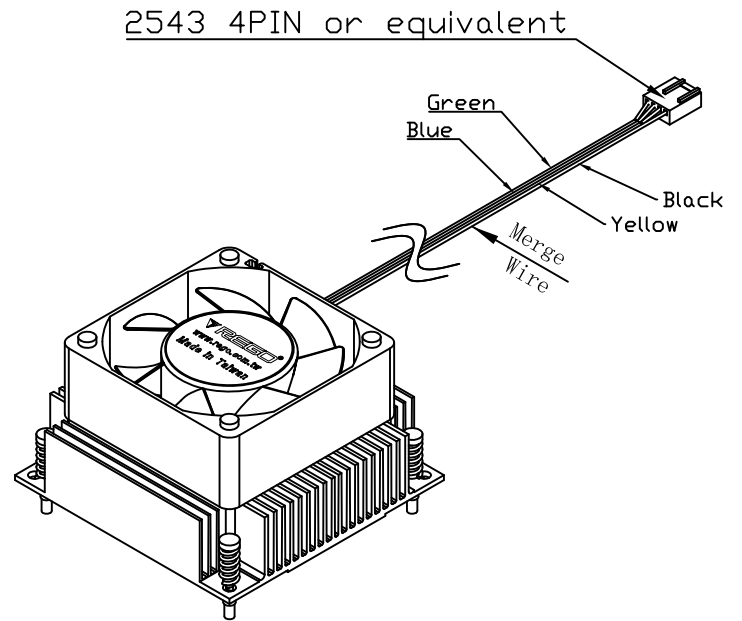
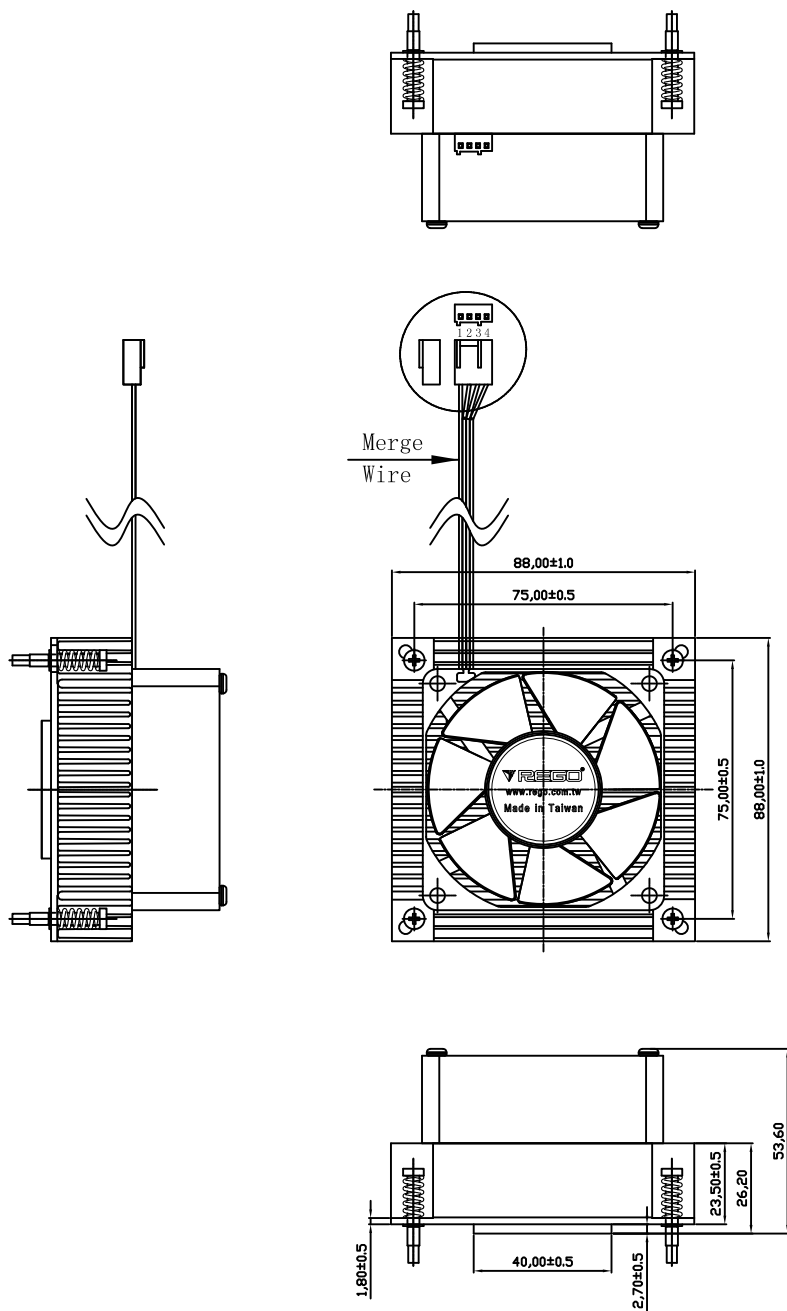



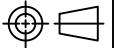
1 2 3 4 5 6 7 8 9 10

A  
B  
C  
D  
E  
F

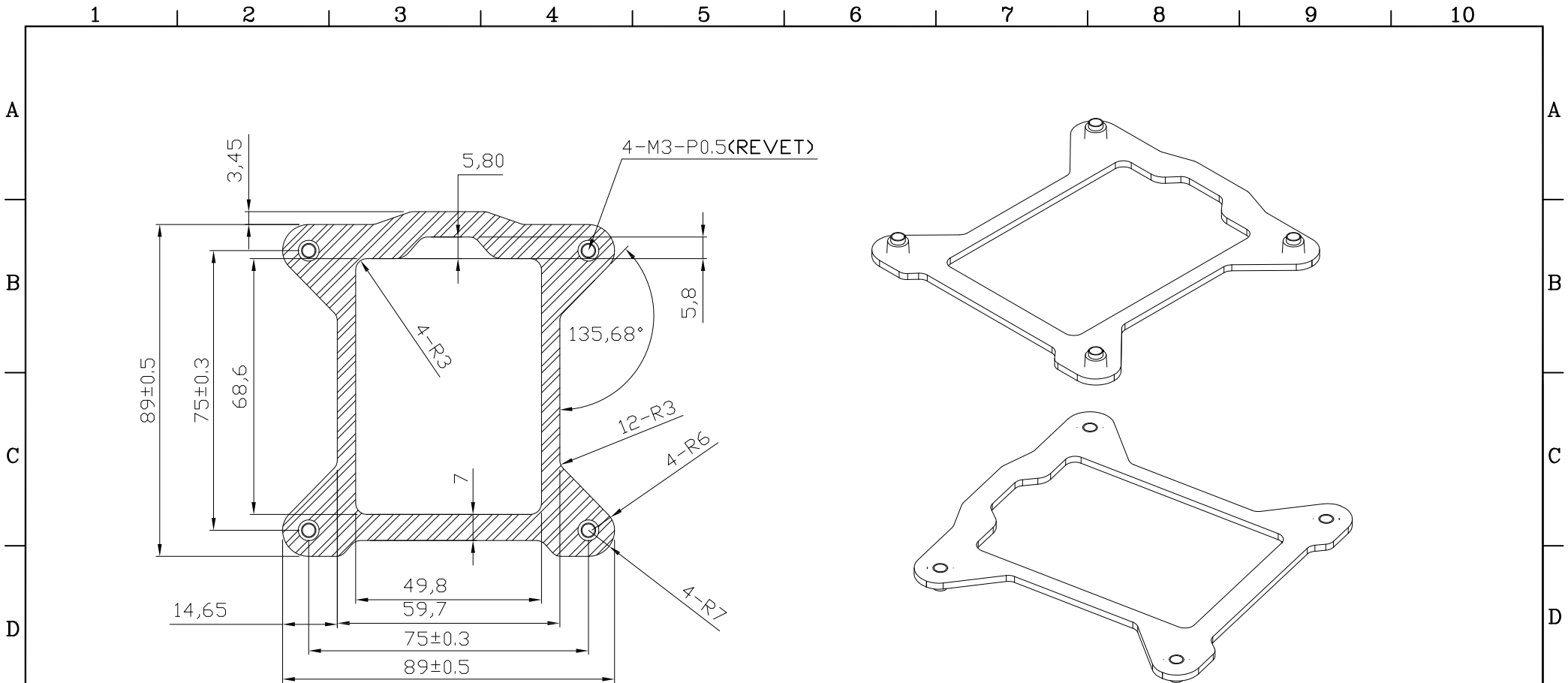
A  
B  
C  
D  
E  
F



PROPRIETARY NOTE:  
This document contains confidential information and proprietary to Rego Electronics and shall not be reproduced or disclosed to other documents or used for any purpose other than that for which was obtained without the expressed written consent of Rego Electronics.

.X $\pm 0.30$	APPROVED: Chris	 <a href="http://www.rego.com.tw">http://www.rego.com.tw</a>
.XX $\pm 0.20$	CHECKED: Denny	
.XXX $\pm 0.15$	DRAWN: Vicky	
X° $\pm 3'$		
	UNITS: mm	SCALE: NONE
TITLE: 2U CPU COOLER FOR INTEL SOCKET 115X PROCESSORS		PART NO: RG3215
SHEET: 1 OF 1		

1 2 3 4 5 6 7 8 9 10


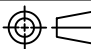


Note:

1. MATERIAL:Steel JIS G3141 t=2.0mm
2. FINISH:Nickel
3. BLACK MYLAR:PC 1870A T=0.25mm
4. Adhesive:DE245 T=0.1mm

PROPRIETARY NOTE:

This document contains confidential information and proprietary to Rego Electronics and shall not be reproduced or disclosed to other documents or used for any purpose other than that for which was obtained without the expressed written consent of Rego Electronics.

.X ± 0.30	APPROVED: Chris	 <a href="http://www.rego.com.tw">http://www.rego.com.tw</a>
.XX ± 0.20	CHECKED: Denny	
.XXX ± 0.15	DRAWN: Bryan	TITLE:SPCC 1156 BACK PLATE
X° ± 3'	UNITS: mm	PART NO:850-BP1156
	SCALE: NONE	SHEET: 1 OF 1

A	04.15.2016
REV	DATE