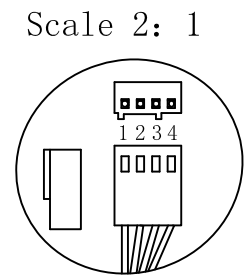
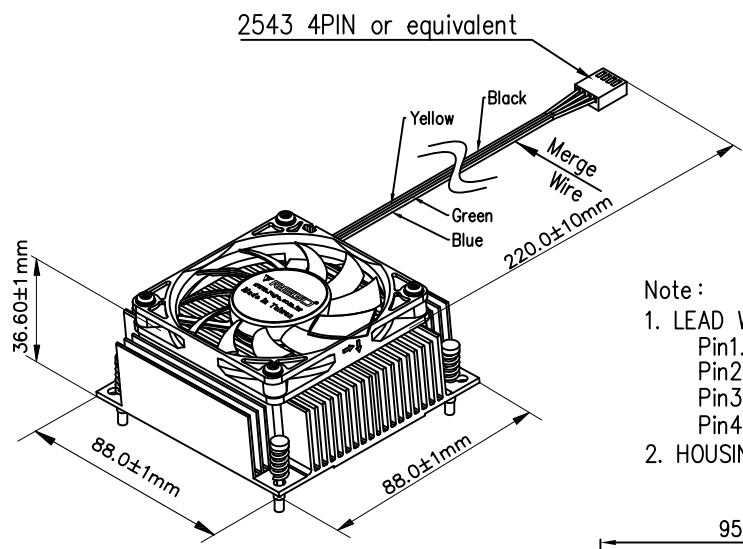
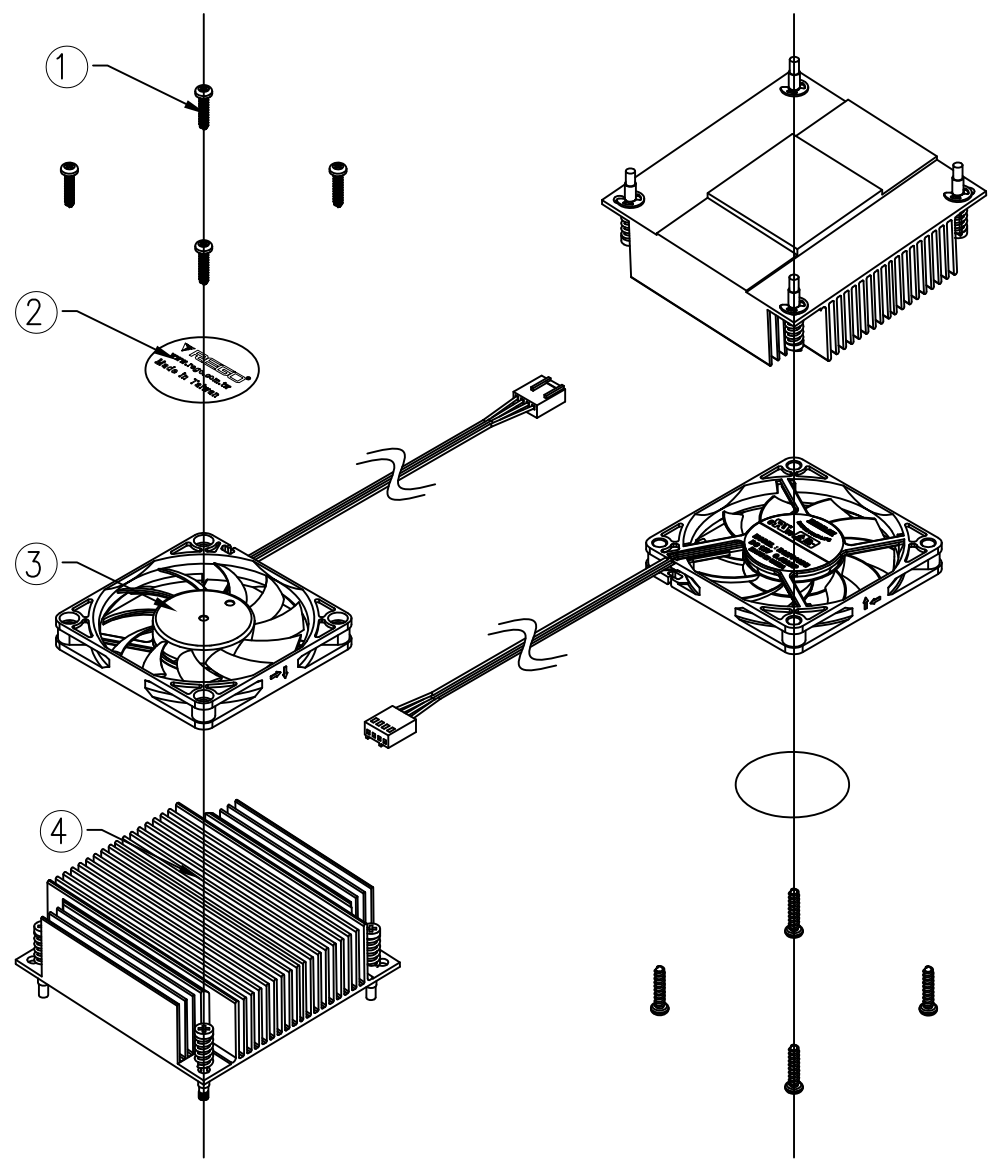


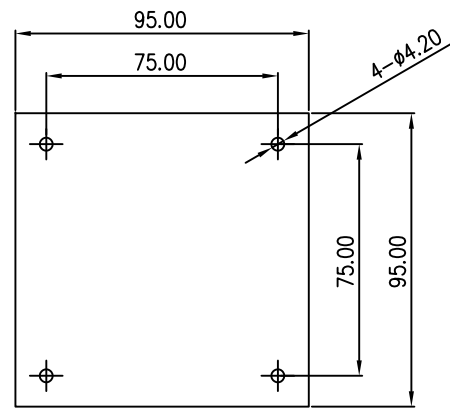
1 2 3 4 5 6 7 8 9 10

A
B
C
D
E
F



Note:
 1. LEAD WIRE UL 1061 #26AWG
 Pin1. <BLACK> GND(-)
 Pin2. <YELLOW> VCC(+)
 Pin3. <GREEN> Signal(FG)
 Pin4. <BLUE> PWM INPUT
 2. HOUSING: 2543-4P or EQUIVALENT

3D View



PCB LAYOUT

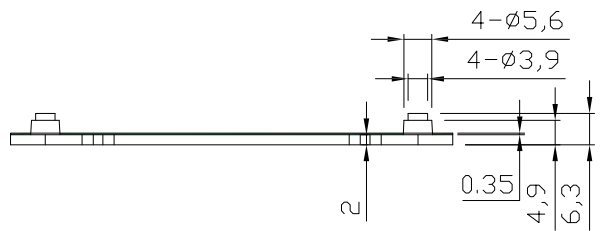
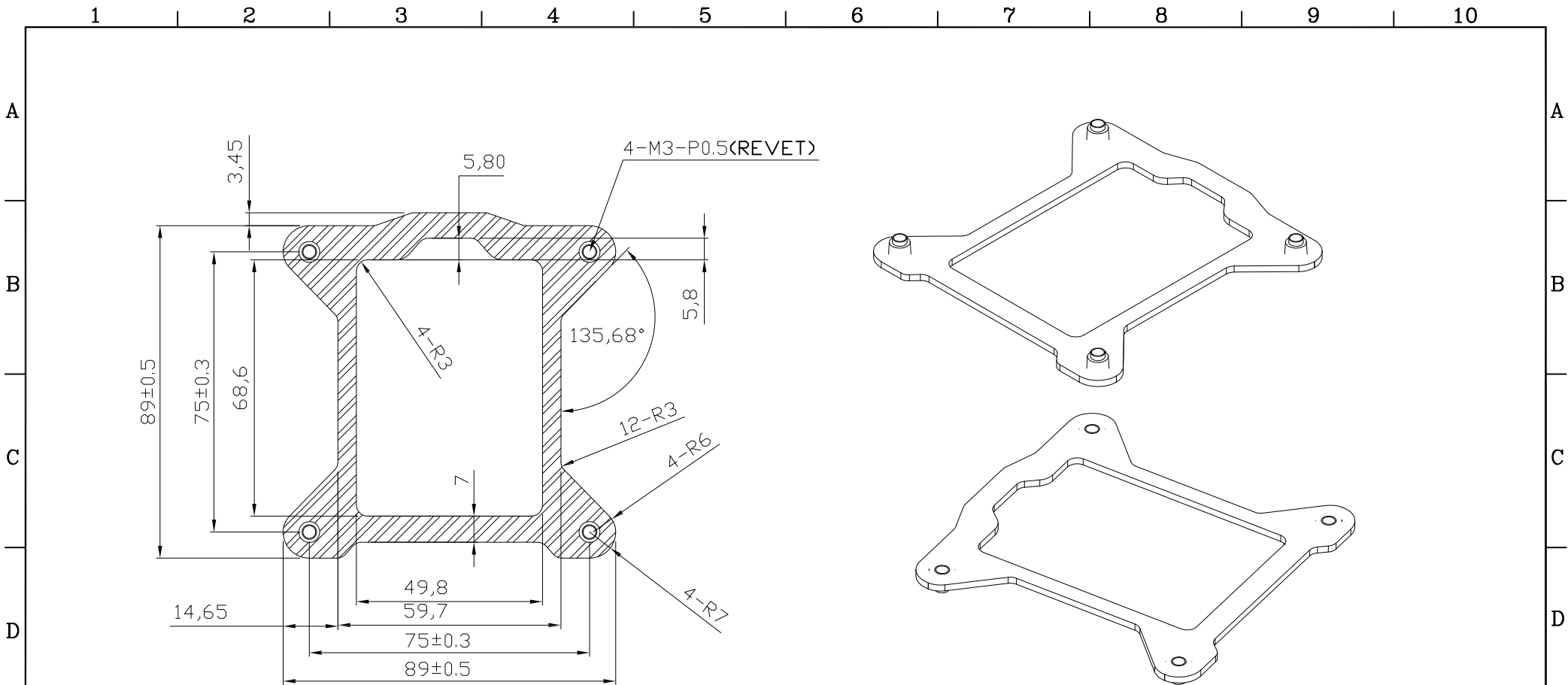
ITEM	PART	DESCRIPTION	QTY
1	877TA-00003	TAPPING SCREW T3.5x16L	4
2	RGE-ST002	Fan Label φ30 T=0.08mm_Silver	1
3	R127010BUAF077aR	FAN FAN 7010-R127010BUAF077aR 5500RPM	1
4	RG3215-N	Heat Sink 88.0x88.0x26.2 +SSE	1

PROPRIETARY NOTE:
 This document contains confidential information and proprietary to Rego Electronics and shall not be reproduced or disclosed to other documents or used for any purpose other than that for which was obtained without the expressed written consent of Rego Electronics.



.X ± 0.30	APPROVED: Chris	 TITLE: CPU COOLER FOR INTEL 115x SERIES PROCESSORS PART NO: RG3211A-001
.XX ± 0.20	CHECKED: Levi	
.XXX ± 0.15	DRAWN: Vic	
X* ± 3'		
UNITS: mm	SCALE: NONE	SHEET: 1 OF 1

A	17.5.2019
REV	DATE

1 2 3 4 5 6 7 8 9 10



- Note:
1. MATERIAL:Steel JIS G3141 t=2.0mm
 2. FINISH:Nickel
 3. BLACK MYLAR:PC 1870A T=0.25mm
 4. Adhesive:DE245 T=0.1mm

PROPRIETARY NOTE: This document contains confidential information and proprietary to Rego Electronics and shall not be reproduced or disclosed to other documents or used for any purpose other than that for which was obtained without the expressed written consent of Rego Electronics.		
.X ± 0.30	APPROVED: Chris	 http://www.rego.com.tw
.XX ± 0.20	CHECKED: Denny	
.XXX ± 0.15	DRAWN: Bryan	TITLE:SPCC 1156 BACK PLATE
X° ± 3'	UNITS: mm	PART NO:850-BP1156
	SCALE: NONE	SHEET: 1 OF 1

A	04.15.2016
REV	DATE