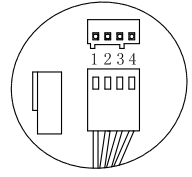
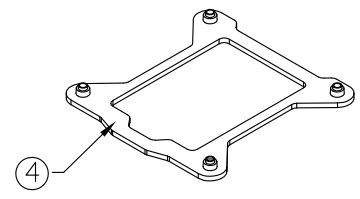
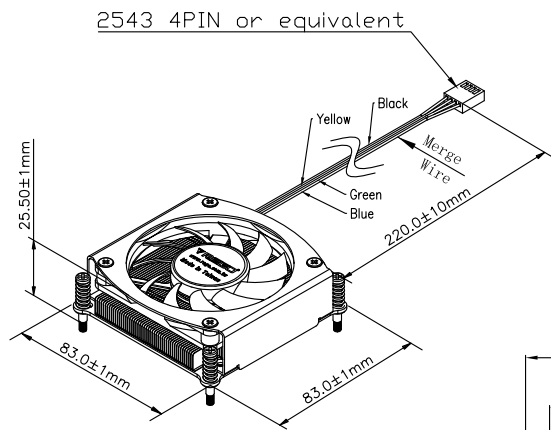


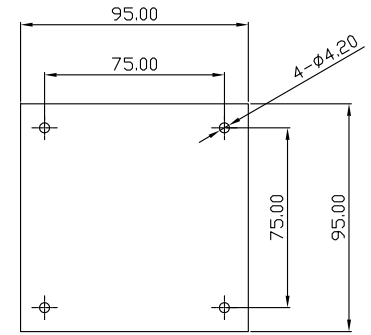
Scale 2: 1



- Note:
- LEAD WIRE UL 1061 #26AWG
 Pin1. <BLACK> GND(-)
 Pin2. <YELLOW> VCC(+)
 Pin3. <GREEN> Signal(FG)
 Pin4. <BLUE> PWM INPUT
 - HOUSING: 2543-4P or EQUIVALENT




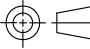
3D View



PCB LAYOUT

ITEM	PART	DESCRIPTION	QTY
1	RGE-ST002	Fan Label ø30 T=0.08mm_Silver	1
2	R127010BUAF077aR	FAN FAN 7010-R127010BUAF077aR 5500RPM	1
3	813-SL2660	Full Copper Heat Sink Module 83x83x12.5	1
4	850-BP1156	SPCC 1156 BACK PLATE 89x89x6.3_M3(75x75)	1

PROPRIETARY NOTE:
 This document contains confidential information and proprietary to Rego Electronics and shall not be reproduced or disclosed to other documents or used for any purpose other than that for which was obtained without the expressed written consent of Rego Electronics.

.X ± 0.30	APPROVED: Chris	 http://www.rego.com.tw	
.XX ± 0.20	CHECKED: Denny		
.XXX ± 0.15	DRAWN: Vicky		
X* ± 3*			
	UNITS: mm	SCALE: NONE	TITLE: 1U CPU Cooler For Intel 115X Processors
		PART NO: RG3114	SHEET: 1 OF 1