

www.rego.com.tw

sales@rego.com.tw

886 2 26436558

鋁擠散熱片~ 常用料

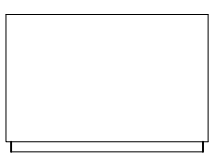
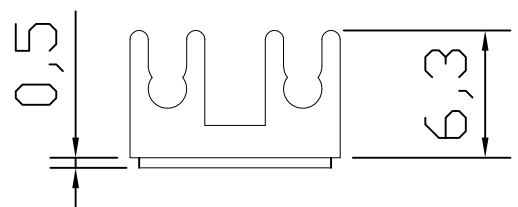
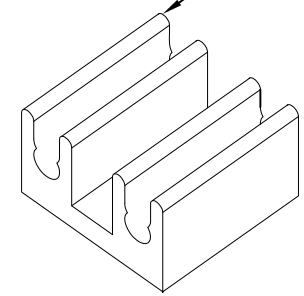
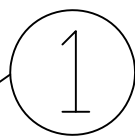
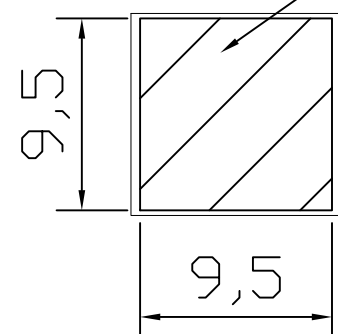
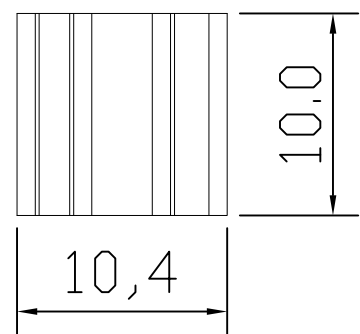
ITEM	REGO P/N	L x W x H (mm)	FIN TYPE
1	ALE1010-06110+L37-5	10.4 x 10 x 6.3	LINE
2	ALE1010-14110+L37-5	10 x 10 x 13.85	LINE
3	ALE1212-18110+L37-5	12 X 12 X 18	PIN
4	ALE1313-12110+L37-5	12.5 x 13 x 12	LINE
5	ALE1414-07110+L37-5	14 X 14 X 7	LINE
6	ALE1414-10110+L37-5	14 X 14 X 10	PIN
7	ALE1717-05110+L37-5	17 x 17 x 5	PIN
8	ALE1818-15110+L37-5	18 x 18 x 15	PIN
9	ALE2020-10110+L37-5	20 x 20 x 10	PIN
10	ALE2121-06110+L37-5	20.9 x 21 x 5.9	PIN
11	ALE2121-15110+L37-5	21 x 21 x 15	PIN
12	ALE2121-18110+L37-5	21 x 21 x 18	LINE
13	ALE2124-13110+L37-5	21 x 24 x 13	PIN
14	ALE2525-05110+L37-5	25 x 25 x 5	LINE
15	ALE2525-10110+L37-5	25.2 x 25 x 10	PIN
16	ALE2828-08110+L37-5	28.4 x 28 x 8	PIN
17	ALE2828-11110+L37-5	28 x 28 x 11	PIN
18	ALE2828-15110+L37-5	28 x 28 x 15.1	PIN
19	ALE2828-25110+L37-5	28 x 28 x 25	PIN
20	ALE3030-10110+L37-5	30.4 x 30.1 x 10	PIN
21	ALE3030-14110+L37-5	30.0 x 30.4 x 13.6	PIN
22	ALE3434-13110+L37-5	34.3 x 34.3 x 12.7	LINE
23	ALE3535-10110+L37-5	34.5 x 34.5 x 10	PIN
24	ALE3535-16110+L37-5	34.5 x 34.5 x 16.4	PIN
25	ALE3636-12110+L37-5	35.7 x 36.0 x 11.5	PIN
26	ALE3838-08110+L37-5	37.5 x 37.5 x 7.9	PIN
27	ALE3838-10110+L37-5	38.2 x 38 x 10.3	PIN



1 2 3 4 5 6 7 8 9 10

A
B
C
D
E
F

NOTE
MATERIAL:AL6063-T5
FINISH:BLACK ANODIZE



PROPRIETARY NOTE:
This document contains confidential information and proprietary to Rego Electronics and shall not be reproduced or disclosed to other documents or used for any purpose other than that for which was obtained without the expressed written consent of Rego Electronics.

ITEM	DESCRIPTION	FINISH	Q'TY
1	HEAT SINK/AL6063-T5	BLACK ANODIZE	1
2	GAP FILLER/L37-5	LIGHT GRAY	1

.X ± 0.30	APPROVED: Chris
.XX ± 0.20	CHECKED: Levi
.XXX ± 0.15	DRAWN: Vic
X° ± 3'	
UNITS: mm	SCALE: NONE

TITLE: Heat Sink Assembly
10.4 x 10.0 x 6.3mm

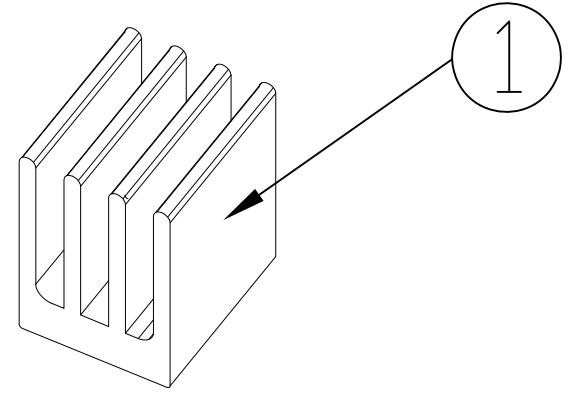
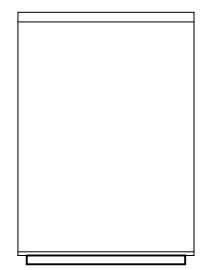
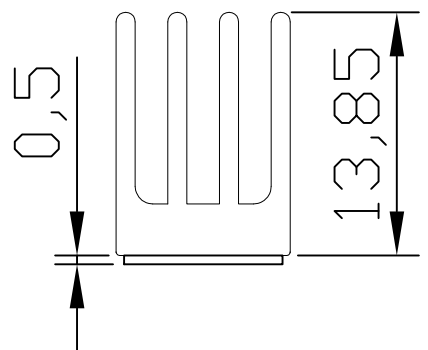
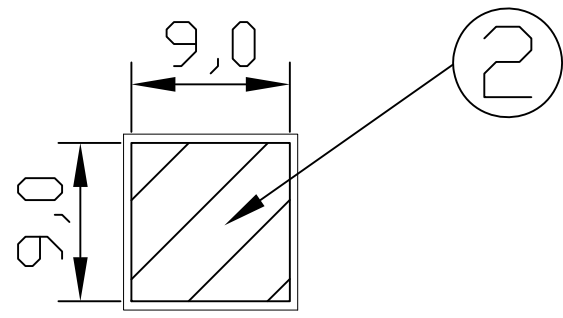
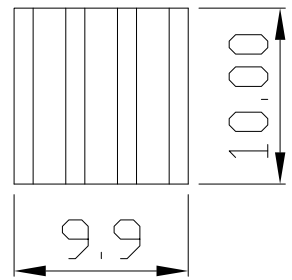
PART NO: ALE1010-06110+L37-5

SHEET: 1 OF 1

A	14.2.2010
REV	DATE


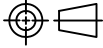
1 2 3 4 5 6 7 8 9 10

NOTE
 MATERIAL:AL6063-T5
 FINISH:BLACK ANODIZE



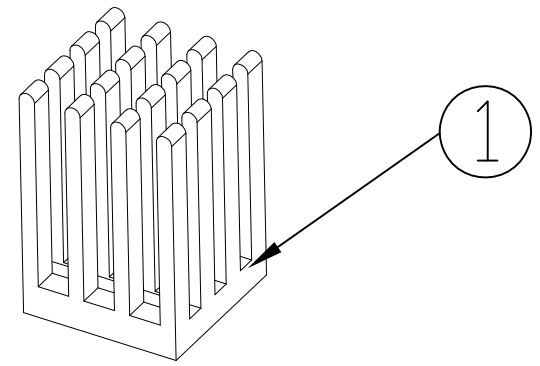
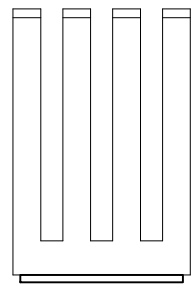
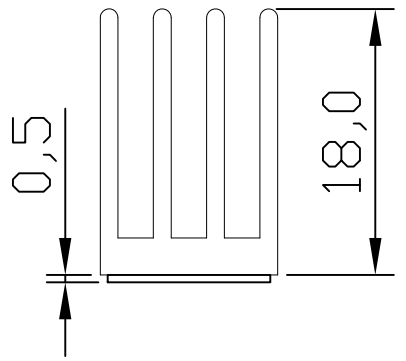
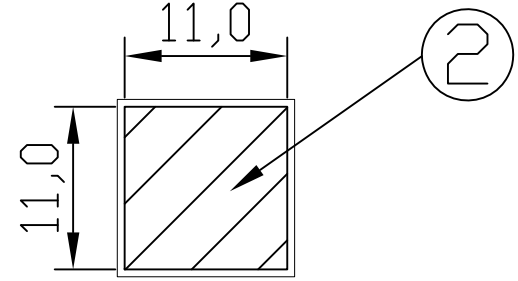
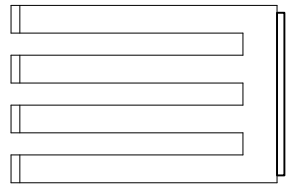
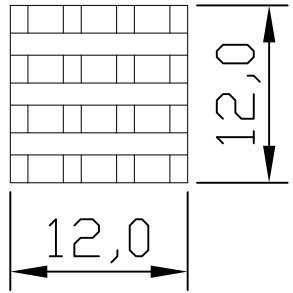
PROPRIETARY NOTE:
 This document contains confidential information and proprietary to Rego Electronics and shall not be reproduced or disclosed to other documents or used for any purpose other than that for which was obtained without the expressed written consent of Rego Electronics.



ITEM	DESCRIPTION	FINISH	Q'TY
1	HEAT SINK/AL6063-T5	BLACK ANODIZE	1
2	GAP FILLER/L37-5	LIGHT GRAY	1

.X ± 0.30	APPROVED: Chris	 http://www.rego.com.tw TITLE: Heat Sink Assembly 9.9 x 10.0 x 13.85mm	
.XX ± 0.20	CHECKED: Levi		
.XXX ± 0.15	DRAWN: Vic		
X* ± 3'			
	UNITS: mm	SCALE: NONE	PART NO: ALE1010-14110+L37-5
SHEET: 1		OF 1	

A	15.8.2012
REV	DATE

NOTE
 MATERIAL:AL6063-T5
 FINISH:BLACK ANODIZE



PROPRIETARY NOTE: This document contains confidential information and proprietary to Rego Electronics and shall not be reproduced or disclosed to other documents or used for any purpose other than that for which was obtained without the expressed written consent of Rego Electronics.			
.X ± 0.30	APPROVED: Chris	 http://www.rego.com.tw TITLE: Heat Sink Assembly 12.0 x 12.0 x 18.0mm PART NO: ALE1212-18110+L37-5 SHEET: 1 OF 1	
.XX ± 0.20	CHECKED: Levi		
.XXX ± 0.15	DRAWN: Vic		
X* ± 3'			
	UNITS: mm	SCALE: NONE	

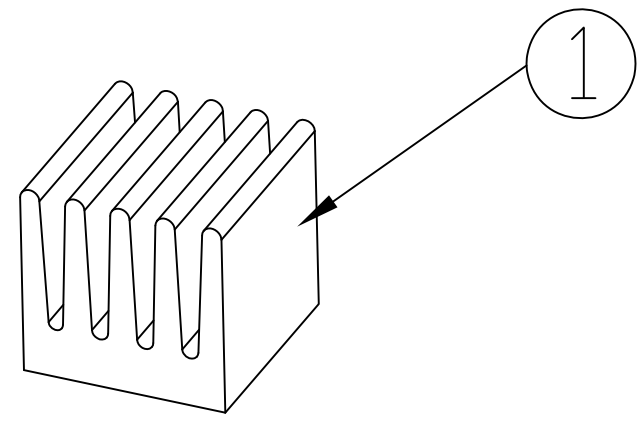
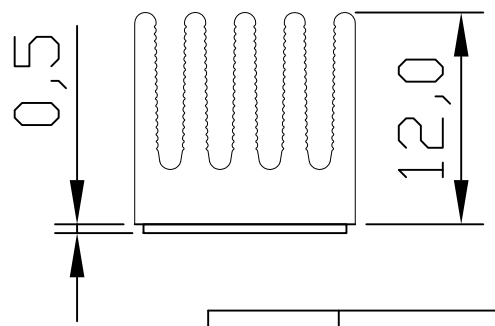
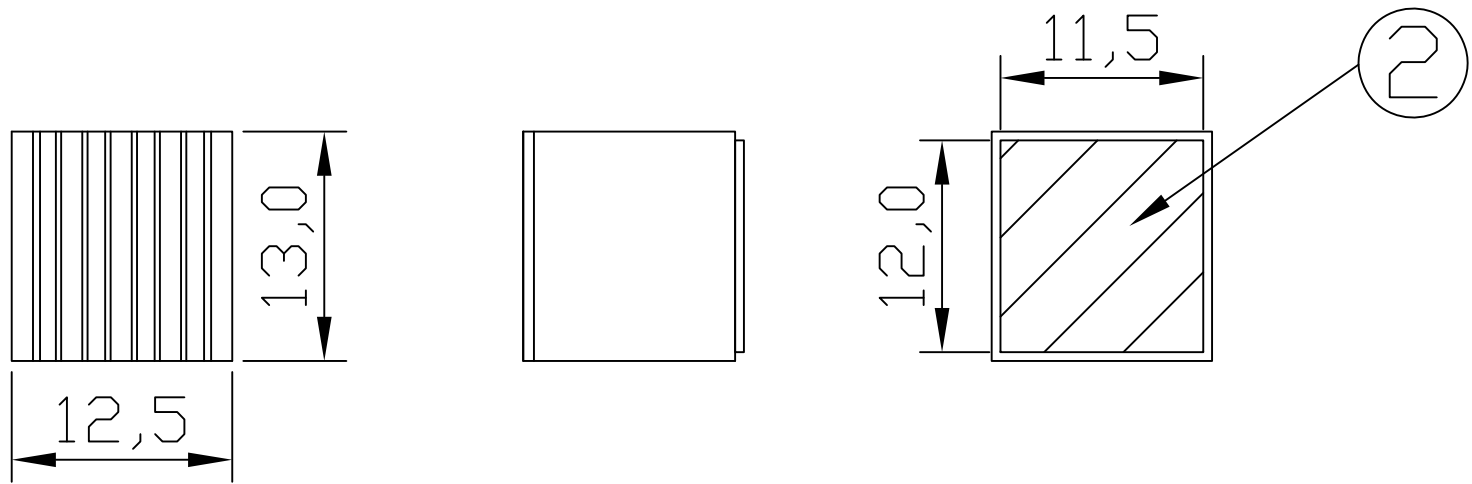
ITEM	DESCRIPTION	FINISH	Q'TY
1	HEAT SINK/AL6063-T5	BLACK ANODIZE	1
2	GAP FILLER/L37-5	LIGHT GRAY	1

A	19.4.2018
REV	DATE

1 2 3 4 5 6 7 8 9 10


A
B
C
D
E
F

NOTE
MATERIAL:AL6063-T5
FINISH:BLACK ANODIZE



ITEM	DESCRIPTION	FINISH	Q'TY
1	HEAT SINK/AL6063-T5	BLACK ANODIZE	1
2	GAP FILLER/L37-5	LIGHT GRAY	1

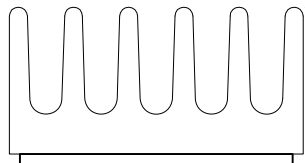
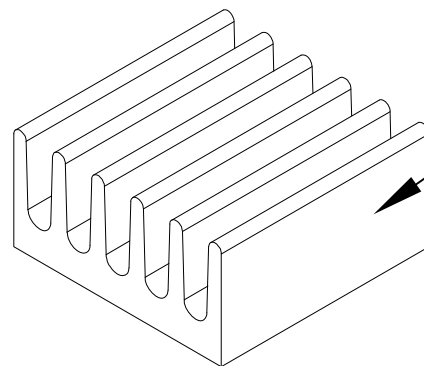
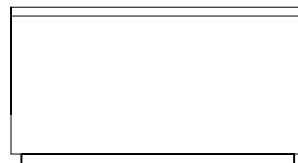
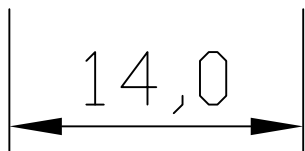
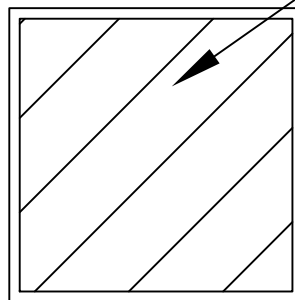
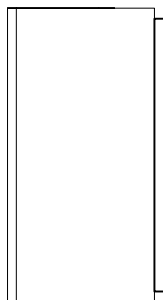
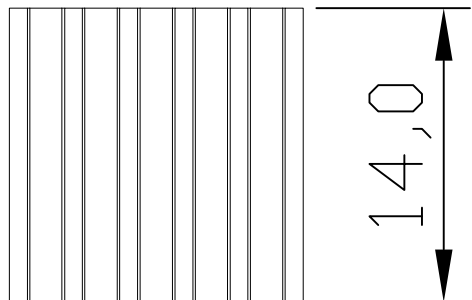
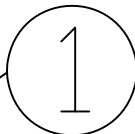
PROPRIETARY NOTE:
This document contains confidential information and proprietary to Rego Electronics and shall not be reproduced or disclosed to other documents or used for any purpose other than that for which was obtained without the expressed written consent of Rego Electronics.

.X ± 0.30	APPROVED: Chris	 http://www.rego.com.tw
.XX ± 0.20	CHECKED: Levi	
.XXX ± 0.15	DRAWN: Vic	
X° ± 3'		
UNITS: mm	SCALE: NONE	TITLE: Heat Sink Assembly 12.5 x 13.0 x 12.0mm
PART NO: ALE1313-12110+L37-5		SHEET: 1 OF 1

A	27.12.2011
REV	DATE


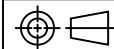
1 2 3 4 5 6 7 8 9 10

NOTE
 MATERIAL:AL6063-T5
 FINISH:BLACK ANODIZE



PROPRIETARY NOTE:
 This document contains confidential information and proprietary to Rego Electronics and shall not be reproduced or disclosed to other documents or used for any purpose other than that for which was obtained without the expressed written consent of Rego Electronics.

ITEM	DESCRIPTION	FINISH	Q'TY
1	HEAT SINK/AL6063-T5	BLACK ANODIZE	1
2	GAP FILLER/L37-5	LIGHT GRAY	1

.X ± 0.30	APPROVED: Chris	 http://www.rego.com.tw
.XX ± 0.20	CHECKED: Levi	
.XXX ± 0.15	DRAWN: Vic	TITLE: Heat Sink Assembly 14.0 x 14.0 x 7.0mm
X° ± 3'	UNITS: mm	SCALE: NONE
	PART NO: ALE1414-07110+L37-5	
SHEET: 1 OF 1		

A	23.9.2011
REV	DATE

1 2 3 4 5 6 7 8 9 10

A

B

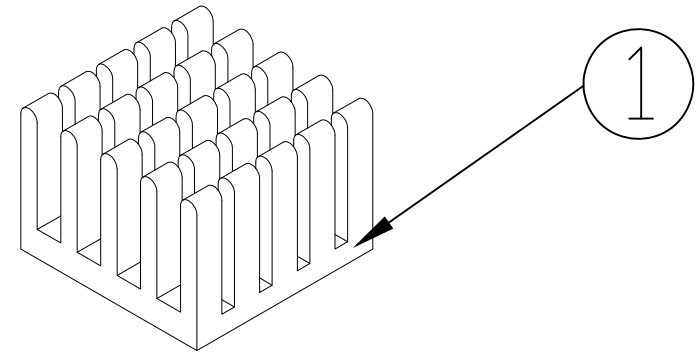
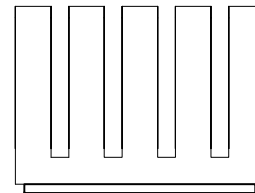
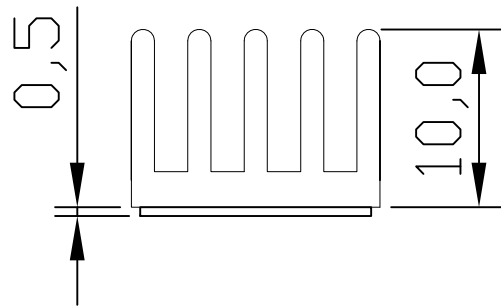
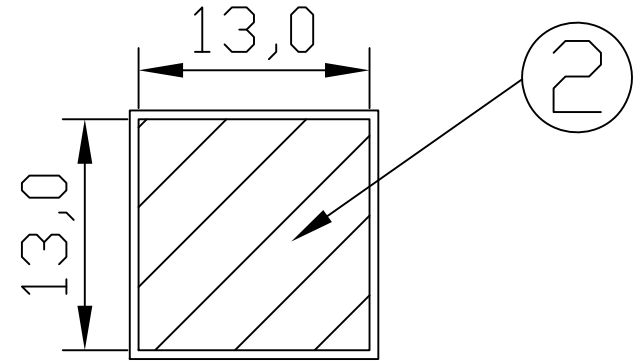
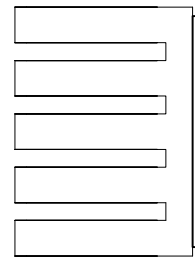
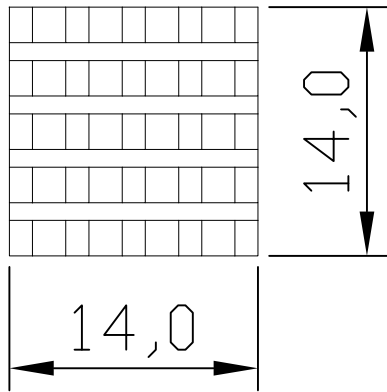
C

D


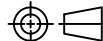
E

F

NOTE
 MATERIAL:AL6063-T5
 FINISH:NATURAL ANODIZE



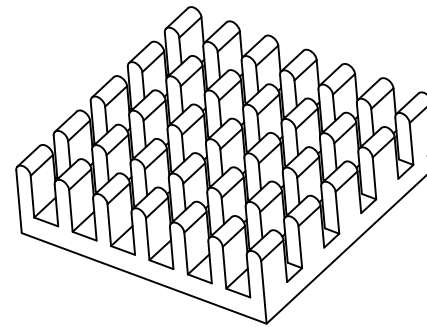
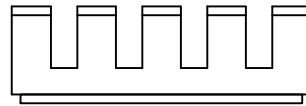
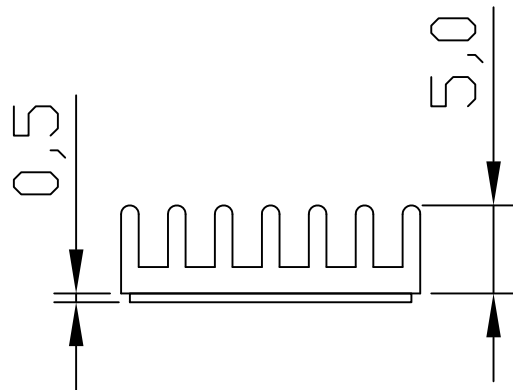
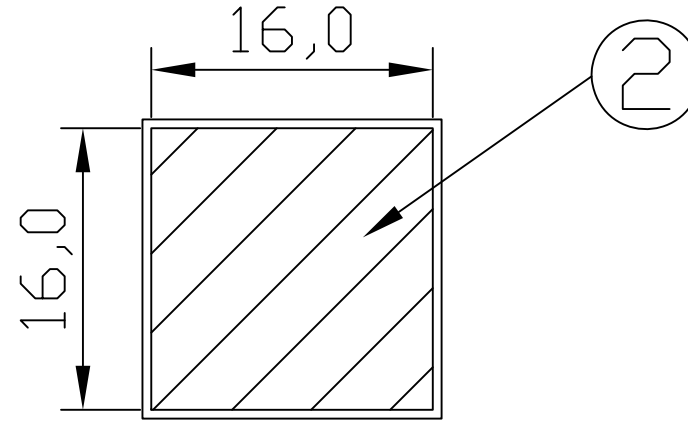
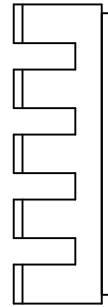
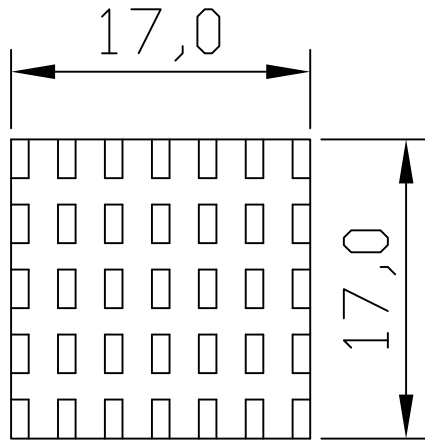
ITEM	DESCRIPTION	FINISH	Q'TY
1	HEAT SINK/AL6063-T5	NATURAL ANODIZE	1
2	GAP FILLER/L37-5	LIGHT GRAY	1

PROPRIETARY NOTE: This document contains confidential information and proprietary to Rego Electronics and shall not be reproduced or disclosed to other documents or used for any purpose other than that for which was obtained without the expressed written consent of Rego Electronics.			
.X ± 0.30	APPROVED: Chris	 http://www.rego.com.tw TITLE: Heat Sink Assembly 14.0 x 14.0 x 10.0mm PART NO: ALE1414-10110+L37-5 SHEET: 1 OF 1	
.XX ± 0.20	CHECKED: Levi		
.XXX ± 0.15	DRAWN: Vic		
X* ± 3'			
	UNITS: mm	SCALE: NONE	

A	14.11.2011
REV	DATE


1 2 3 4 5 6 7 8 9 10

NOTE
 MATERIAL:AL6063-T5
 FINISH:BLACK ANODIZE



ITEM	DESCRIPTION	FINISH	Q'TY
1	HEAT SINK/AL6063-T5	BLACK ANODIZE	1
2	GAP FILLER/L37-5	LIGHT GRAY	1

PROPRIETARY NOTE:
 This document contains confidential information and proprietary to Rego Electronics and shall not be reproduced or disclosed to other documents or used for any purpose other than that for which was obtained without the expressed written consent of Rego Electronics.

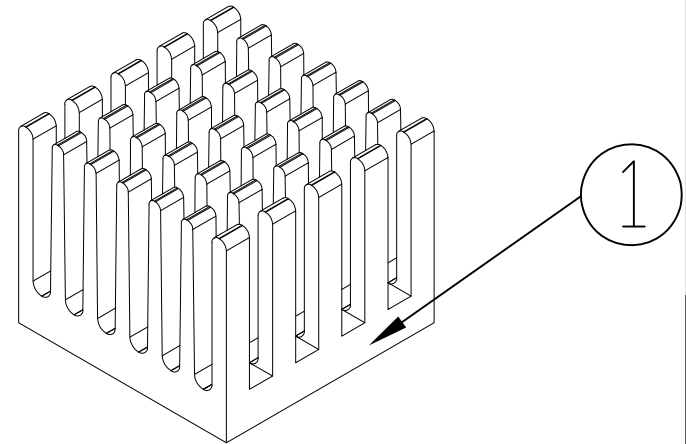
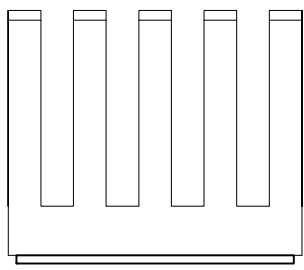
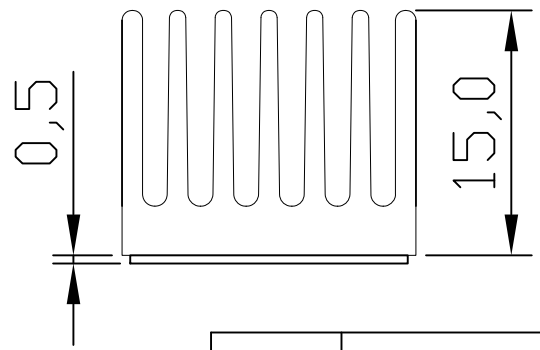
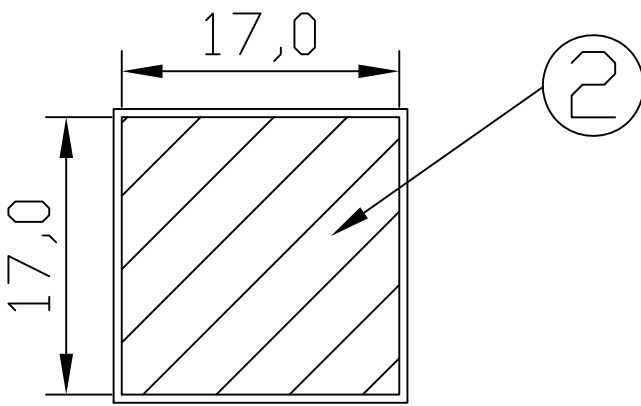
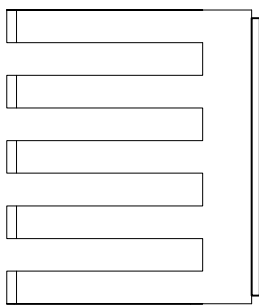
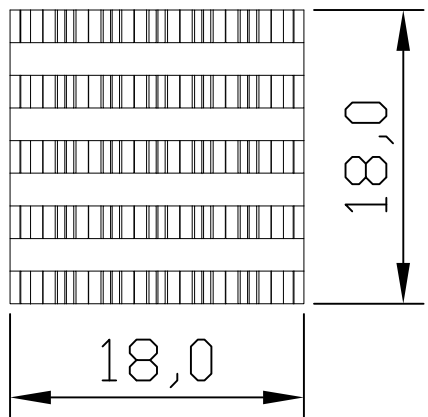
.X ± 0.30	APPROVED: Chris	 http://www.rego.com.tw	
.XX ± 0.20	CHECKED: Levi		
.XXX ± 0.15	DRAWN: Vic		
X* ± 3'	UNITS: mm	SCALE: NONE	TITLE: Heat Sink Assembly 17.0 x 17.0 x 5.0mm PART NO: ALE1717-05110+L37-5 SHEET: 1 OF 1

A	26.11.2012
REV	DATE

1 2 3 4 5 6 7 8 9 10


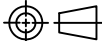
A
B
C
D
E
F

NOTE
MATERIAL:AL6063-T5
FINISH:BLACK ANODIZE



ITEM	DESCRIPTION	FINISH	Q'TY
1	HEAT SINK/AL6063-T5	BLACK ANODIZE	1
2	GAP FILLER/L37-5	LIGHT GRAY	1

PROPRIETARY NOTE:
This document contains confidential information and proprietary to Rego Electronics and shall not be reproduced or disclosed to other documents or used for any purpose other than that for which was obtained without the expressed written consent of Rego Electronics.

.X ± 0.30	APPROVED: Chris	 http://www.rego.com.tw TITLE: Heat Sink Assembly 18.0 x 18.0 x 15.0mm PART NO: ALE1818-15110+L37-5 SHEET: 1 OF 1
.XX ± 0.20	CHECKED: Levi	
.XXX ± 0.15	DRAWN: Vic	
X* ± 3'		
 UNITS: mm SCALE: NONE		

A	04.6.2019
REV	DATE

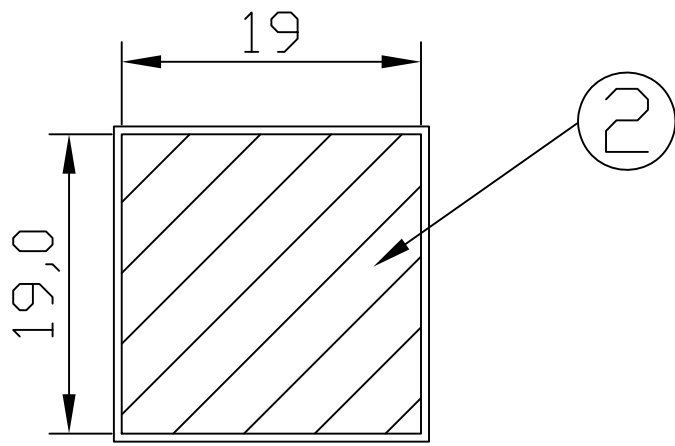
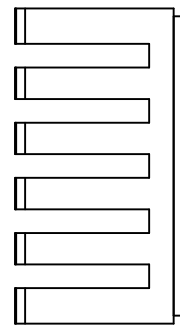
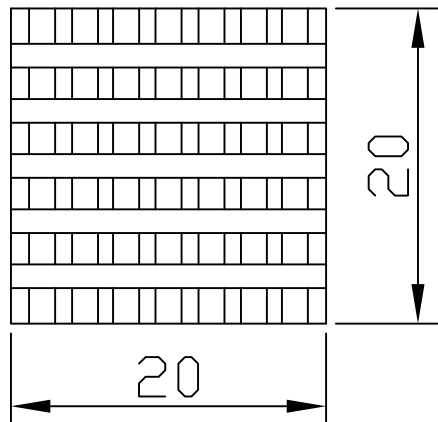
1 2 3 4 5 6 7 8 9 10

1 2 3 4 5 6 7 8 9 10

A

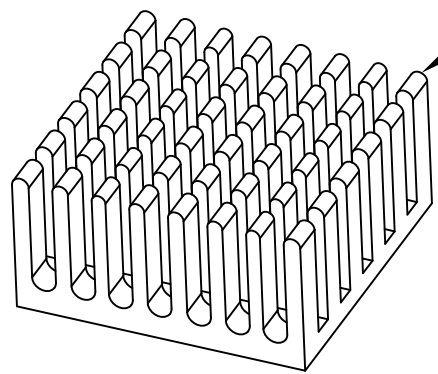
NOTE
 MATERIAL:AL6063-T5
 FINISH:BLACK ANODIZE

B

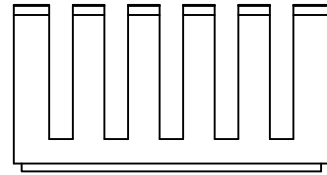
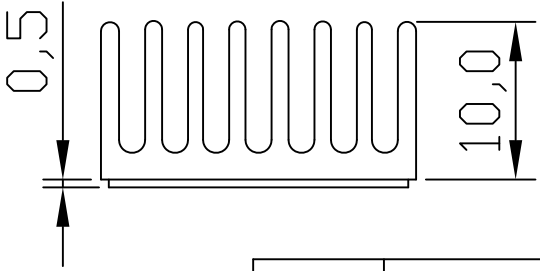


C

D



E



F

PROPRIETARY NOTE:
 This document contains confidential information and proprietary to Rego Electronics and shall not be reproduced or disclosed to other documents or used for any purpose other than that for which was obtained without the expressed written consent of Rego Electronics.

ITEM	DESCRIPTION	FINISH	Q'TY
1	HEAT SINK/AL6063-T5	BLACK ANODIZE	1
2	GAP FILLER/L37-5	LIGHT GRAY	1

.X ± 0.30	APPROVED: Chris
.XX ± 0.20	CHECKED: Levi
.XXX ± 0.15	DRAWN: Vic
X* ± 3'	UNITS: mm
SCALE: NONE	

TITLE: Heat Sink Assembly
 20.0 x 20.0 x 10.0mm

PART NO: ALE2020-10110+L37-5

SHEET: 1 OF 10

A	17.9.2011
REV	DATE

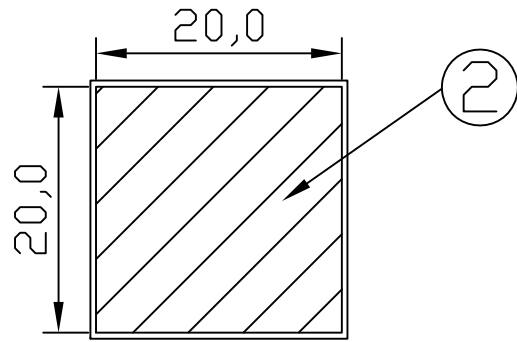
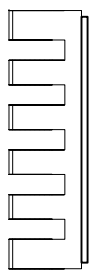
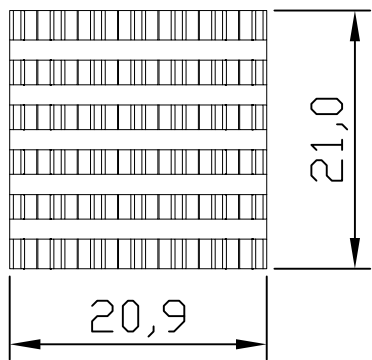
1 2 3 4 5 6 7 8 9 10

1 2 3 4 5 6 7 8 9 10

A

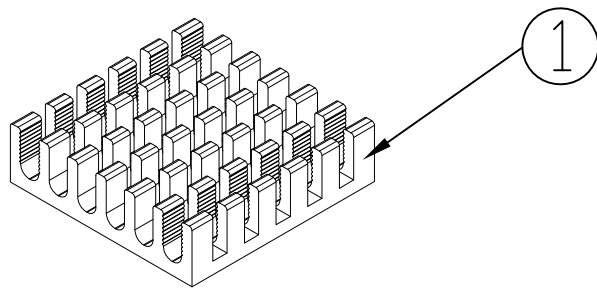
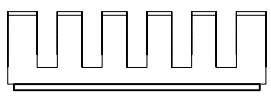
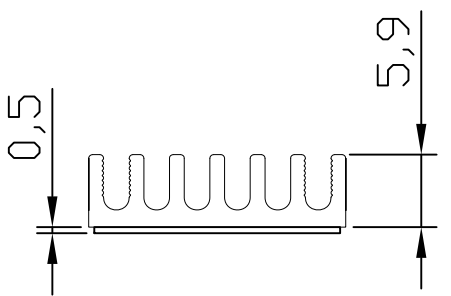
NOTE
 MATERIAL:AL6063-T5
 FINISH:BLACK ANODIZE

B



C

D



E

F

PROPRIETARY NOTE:
 This document contains confidential information and proprietary to Rego Electronics and shall not be reproduced or disclosed to other documents or used for any purpose other than that for which was obtained without the expressed written consent of Rego Electronics.

ITEM	DESCRIPTION	FINISH	Q'TY
1	HEAT SINK/AL6063-T5	BLACK ANODIZE	1
2	GAP FILLER/L37-5	LIGHT GRAY	1

.X ± 0.30	APPROVED: Chris
.XX ± 0.20	CHECKED: Levi
.XXX ± 0.15	DRAWN: Vic
X° ± 3'	UNITS: mm
SCALE: NONE	

TITLE: Heat Sink Assembly
 20.9 x 21.0 x 5.9mm
 PART NO: ALE2121-06110+L37-5
 SHEET: 1 OF 1

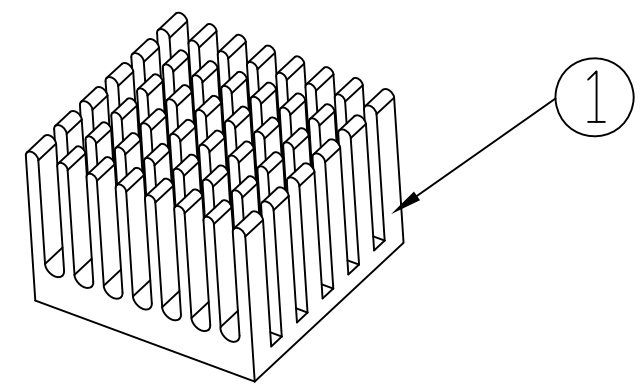
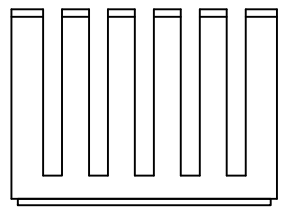
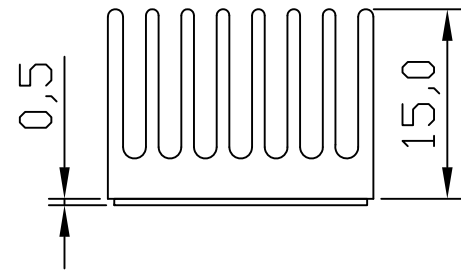
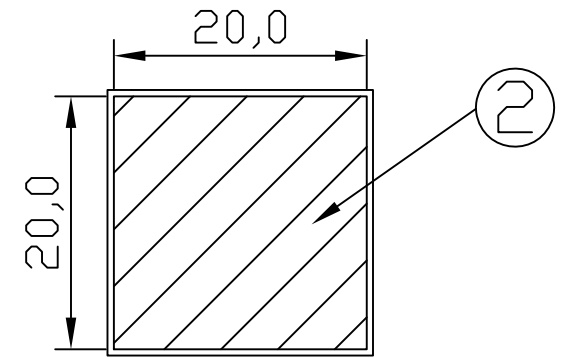
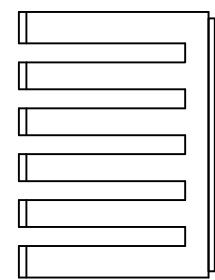
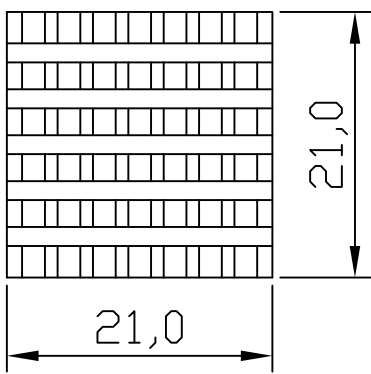
A	25.1.2016
REV	DATE

1 2 3 4 5 6 7 8 9 10

1 2 3 4 5 6 7 8 9 10

A
B
C
D
E
F

NOTE
MATERIAL:AL6063-T5
FINISH:BLACK ANODIZE



PROPRIETARY NOTE:
This document contains confidential information and proprietary to Rego Electronics and shall not be reproduced or disclosed to other documents or used for any purpose other than that for which was obtained without the expressed written consent of Rego Electronics.

ITEM	DESCRIPTION	FINISH	Q'TY
1	HEAT SINK/AL6063-T5	BLACK ANODIZE	1
2	GAP FILLER/L37-5	LIGHT GRAY	1

.X ± 0.30	APPROVED: Chris
.XX ± 0.20	CHECKED: Levi
.XXX ± 0.15	DRAWN: Vic
X* ± 3'	UNITS: mm
SCALE: NONE	

TITLE: Heat Sink Assembly
21.0 x 21.0 x 15.0mm
PART NO: ALE2121-15110+L37-5
SHEET: 1 OF 1

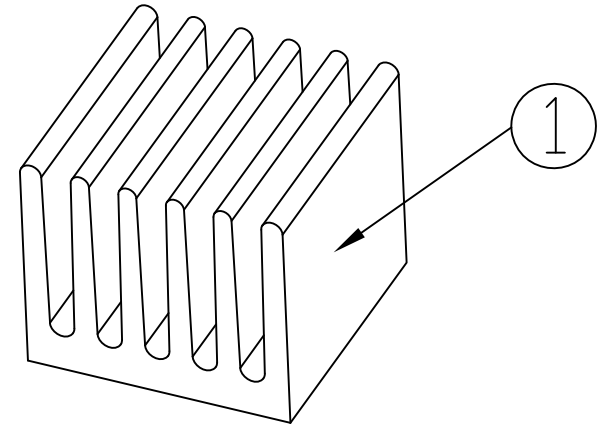
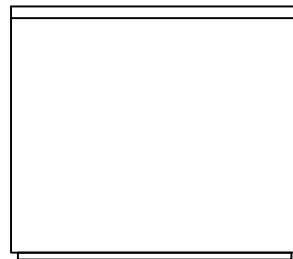
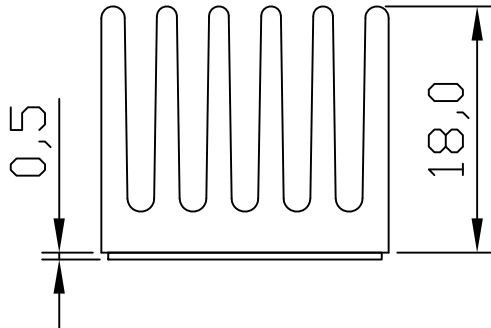
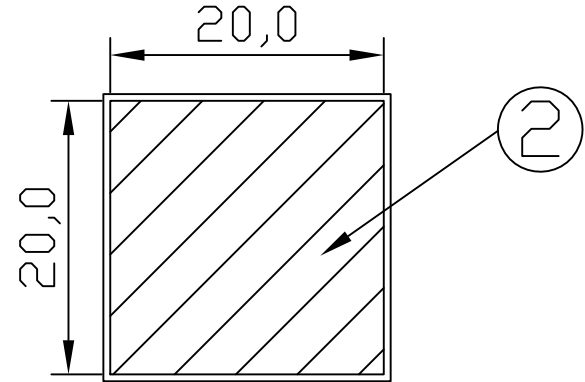
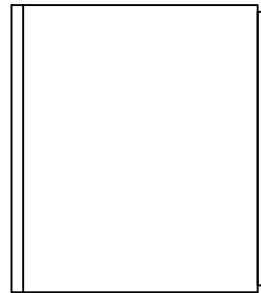
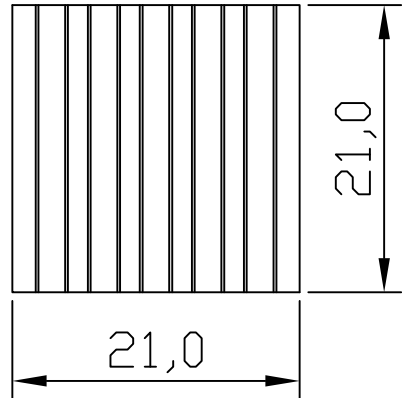
A	27.12.2012
REV	DATE


1 2 3 4 5 6 7 8 9 10

1 2 3 4 5 6 7 8 9 10

A
B
C
D
E
F

NOTE
MATERIAL:AL6063-T5
FINISH:BLACK ANODIZE



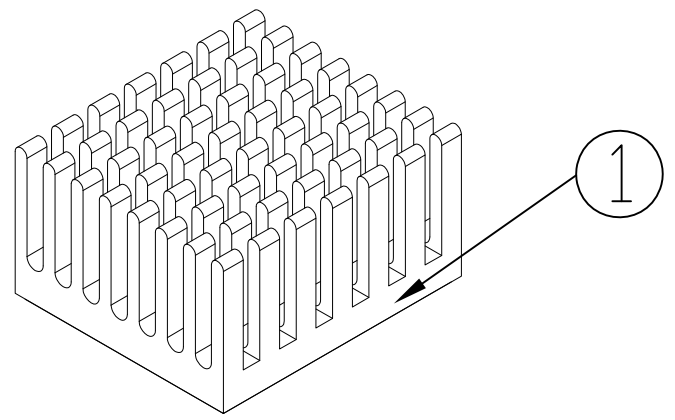
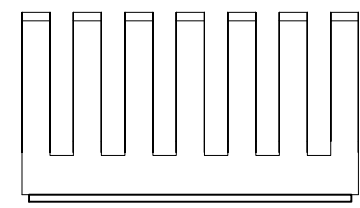
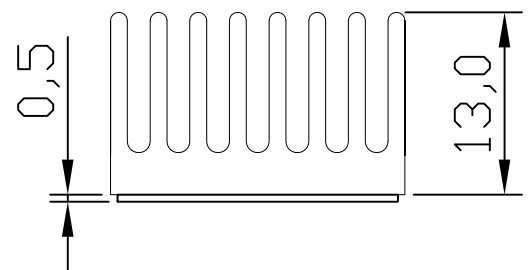
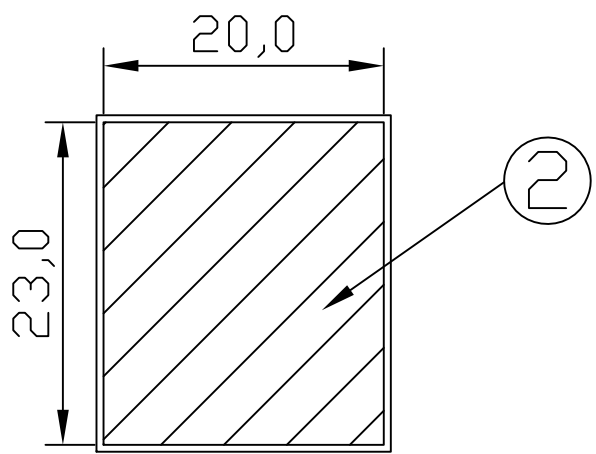
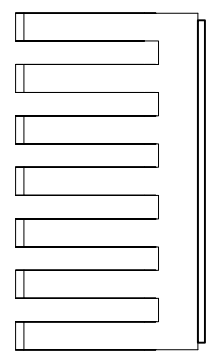
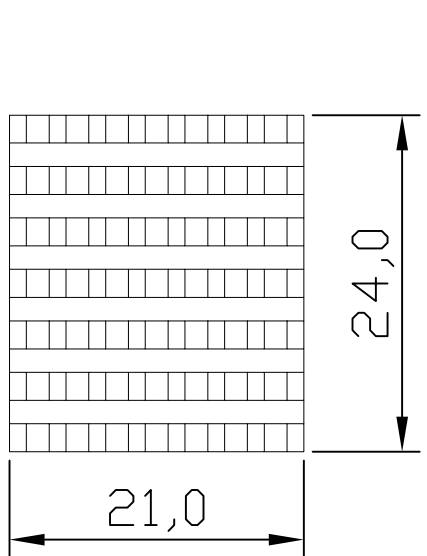
PROPRIETARY NOTE: This document contains confidential information and proprietary to Rego Electronics and shall not be reproduced or disclosed to other documents or used for any purpose other than that for which was obtained without the expressed written consent of Rego Electronics.			
.X ± 0.30	APPROVED: Chris	 http://www.rego.com.tw TITLE: Heat Sink Assembly 21.0 x 21.0 x 18.0mm PART NO: ALE2121-18110+L37-5 SHEET: 1 OF 1	
.XX ± 0.20	CHECKED: Levi		
.XXX ± 0.15	DRAWN: Vic		
X* ± 3°	UNITS: mm		SCALE: NONE

ITEM	DESCRIPTION	FINISH	Q'TY
1	HEAT SINK/AL6063-T5	BLACK ANODIZE	1
2	GAP FILLER/L37-5	LIGHT GRAY	1

A	24.3.2017
REV	DATE

1 2 3 4 5 6 7 8 9 10

NOTE
 MATERIAL:AL6063-T5
 FINISH:BLACK ANODIZE



PROPRIETARY NOTE:
 This document contains confidential information and proprietary to Rego Electronics and shall not be reproduced or disclosed to other documents or used for any purpose other than that for which was obtained without the expressed written consent of Rego Electronics.

ITEM	DESCRIPTION	FINISH	Q'TY
1	HEAT SINK/AL6063-T5	BLACK ANODIZE	1
2	GAP FILLER/L37-5	LIGHT GRAY	1

.X ± 0.30	APPROVED: Chris
.XX ± 0.20	CHECKED: Levi
.XXX ± 0.15	DRAWN: Vic
X* ± 3'	UNITS: mm
	SCALE: NONE

TITLE: Heat Sink Assembly
 21.0 x 24.0 x 13.0mm
 PART NO: ALE2124-13110+L37-5
 SHEET: 1 OF 1

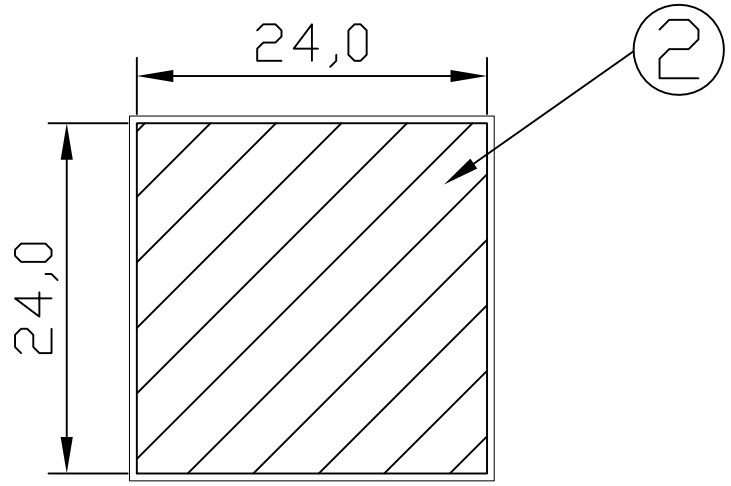
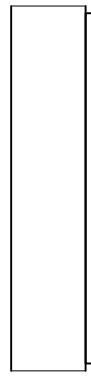
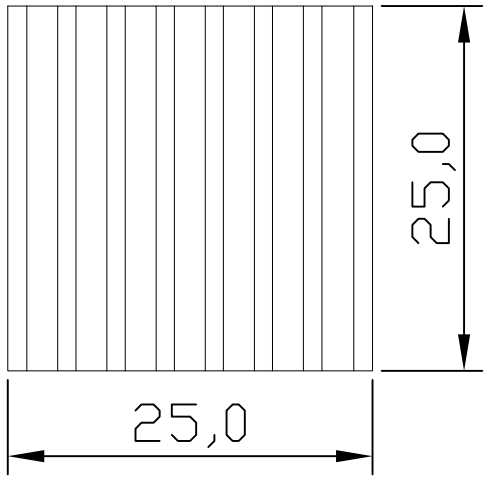
A	19.2.2013
REV	DATE

1 2 3 4 5 6 7 8 9 10

A

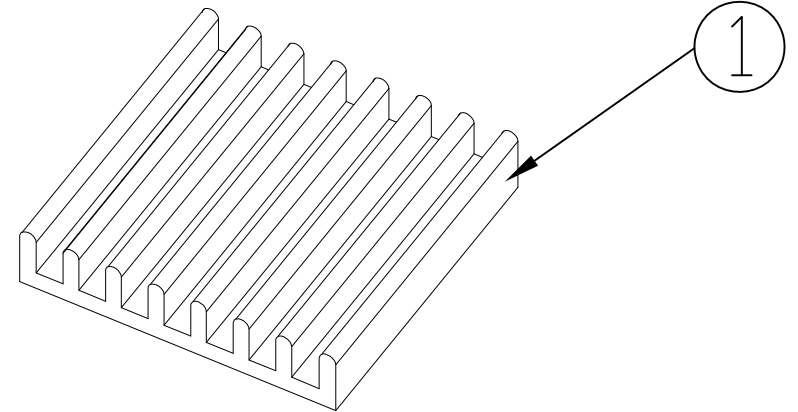
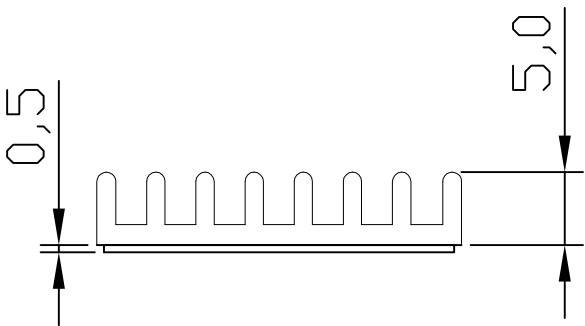
NOTE
 MATERIAL:AL6063-T5
 FINISH:BLACK ANODIZE

B



C

D


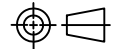


E

F

ITEM	DESCRIPTION	FINISH	Q'TY
1	HEAT SINK/AL6063-T5	BLACK ANODIZE	1
2	GAP FILLER/L37-5	LIGHT GRAY	1

PROPRIETARY NOTE:
 This document contains confidential information and proprietary to Rego Electronics and shall not be reproduced or disclosed to other documents or used for any purpose other than that for which was obtained without the expressed written consent of Rego Electronics.

.X ± 0.30	APPROVED: Chris	 http://www.rego.com.tw
.XX ± 0.20	CHECKED: Levi	
.XXX ± 0.15	DRAWN: Vic	
X° ± 3'		
	UNITS: mm	SCALE: NONE
TITLE: Heat Sink Assembly 25.0 x 25.0 x 5.0mm		PART NO: ALE2525-05110+L37-5
SHEET: 1 OF 1		

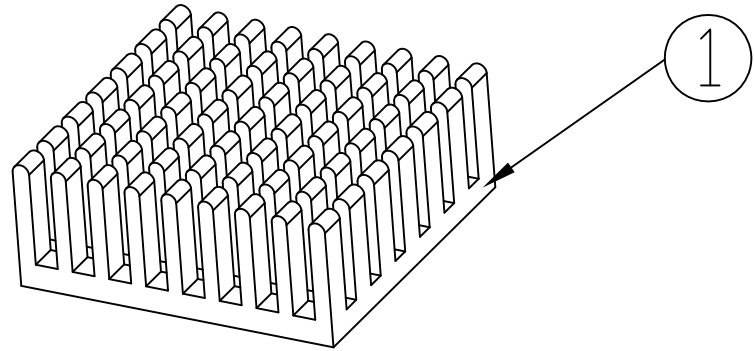
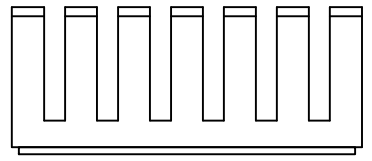
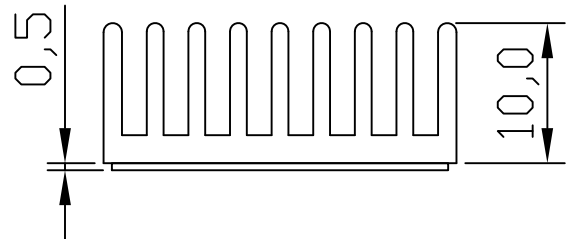
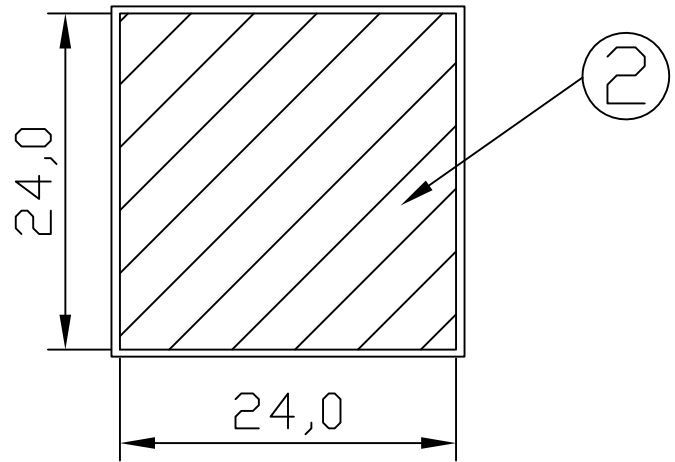
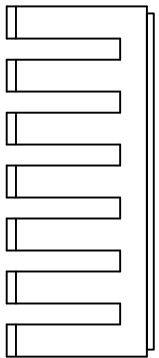
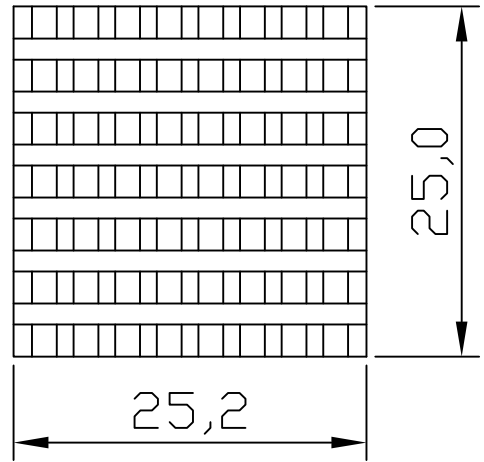
A	17.8.2012
REV	DATE

1 2 3 4 5 6 7 8 9 10

1 2 3 4 5 6 7 8 9 10


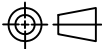
A
B
C
D
E
F

NOTE
MATERIAL:AL6063-T5
FINISH:BLACK ANODIZE



ITEM	DESCRIPTION	FINISH	Q'TY
1	HEAT SINK/AL6063-T5	BLACK ANODIZE	1
2	GAP FILLER/L37-5	LIGHT GRAY	1

PROPRIETARY NOTE:
This document contains confidential information and proprietary to Rego Electronics and shall not be reproduced or disclosed to other documents or used for any purpose other than that for which was obtained without the expressed written consent of Rego Electronics.

.X ± 0.30	APPROVED: Chris	 http://www.rego.com.tw
.XX ± 0.20	CHECKED: Levi	
.XXX ± 0.15	DRAWN: Vic	TITLE: Heat Sink Assembly 25.2 x 25.0 x 10.0mm
X° ± 3'	UNITS: mm	SCALE: NONE
		PART NO: ALE2525-10110+L37-5
		SHEET: 1 OF 1

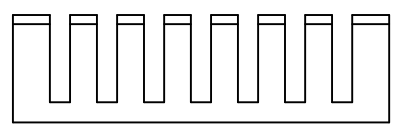
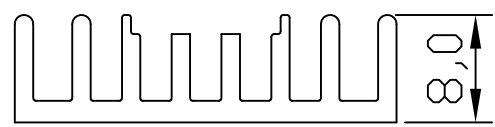
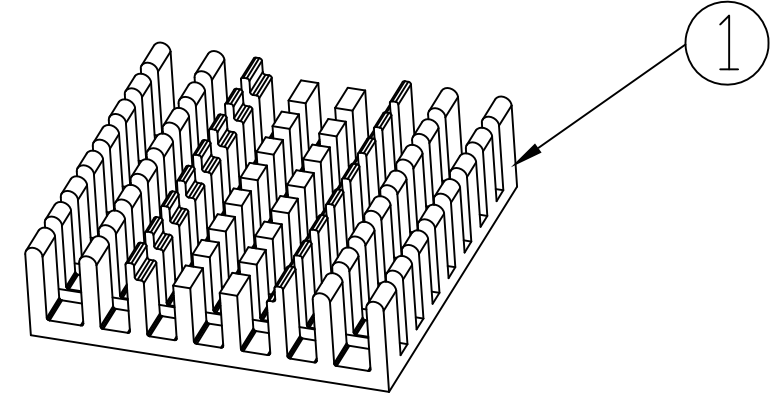
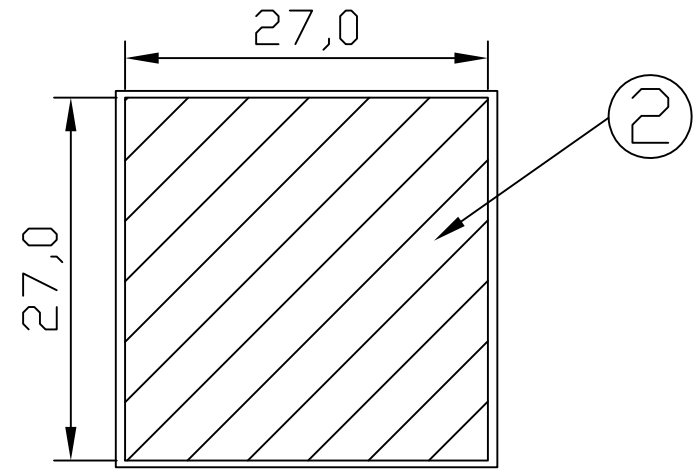
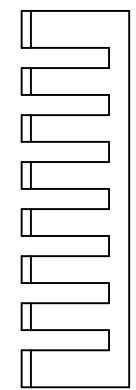
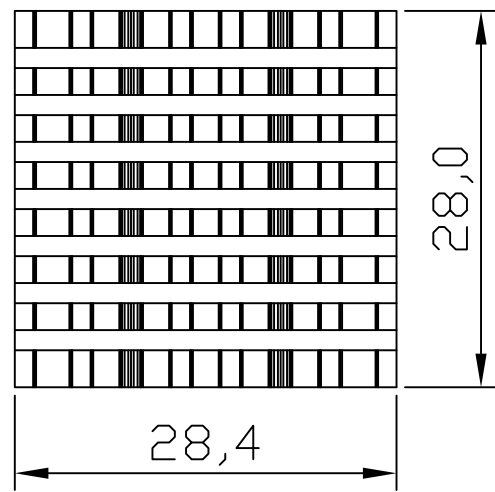
A	25.10.2011
REV	DATE

1 2 3 4 5 6 7 8 9 10

1 2 3 4 5 6 7 8 9 10


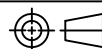
A
B
C
D
E
F

NOTE
MATERIAL:AL6063-T5
FINISH:BLACK ANODIZE



ITEM	DESCRIPTION	FINISH	Q'TY
1	HEAT SINK/AL6063-T5	BLACK ANODIZE	1
2	GAP FILLER/L37-5	LIGHT GRAY	1

PROPRIETARY NOTE:
This document contains confidential information and proprietary to Rego Electronics and shall not be reproduced or disclosed to other documents or used for any purpose other than that for which was obtained without the expressed written consent of Rego Electronics.

.X ± 0.30	APPROVED: Chris	 http://www.rego.com.tw TITLE: Heat Sink Assembly 28.4 x 28.0 x 8.0mm PART NO: ALE2828-08110+L37-5 SHEET: 1 OF 1
.XX ± 0.20	CHECKED: Levi	
.XXX ± 0.15	DRAWN: Vic	
X* ± 3'		
 UNITS: mm SCALE: NONE		

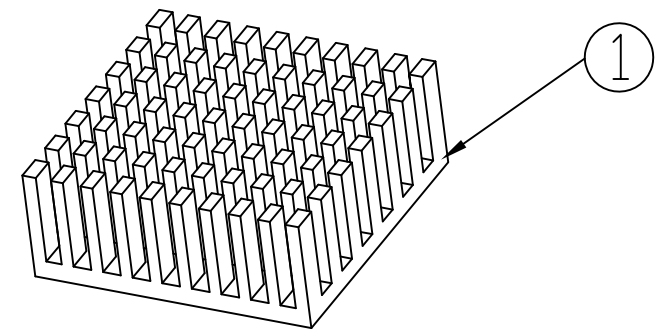
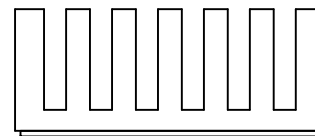
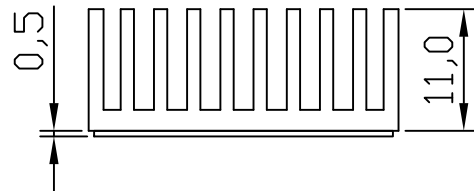
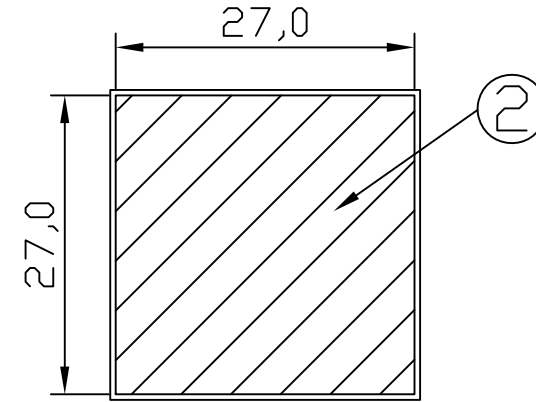
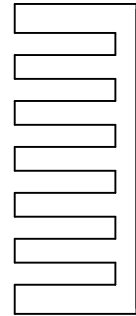
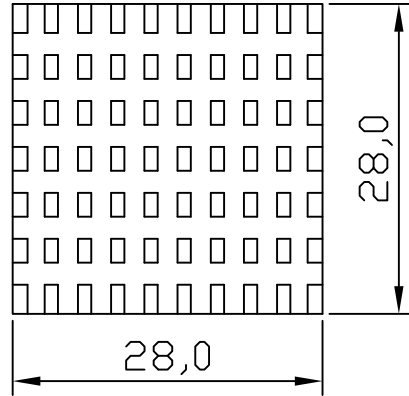
A	04.6.2019
REV	DATE

1 2 3 4 5 6 7 8 9 10

1 2 3 4 5 6 7 8 9 10

A

NOTE
 MATERIAL:AL6063-T5
 FINISH:BLACK ANODIZE




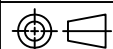
D

E

F

ITEM	DESCRIPTION	FINISH	Q'TY
1	HEAT SINK/AL6063-T5	BLACK ANODIZE	1
2	GAP FILLER/L37-5	LIGHT GRAY	1

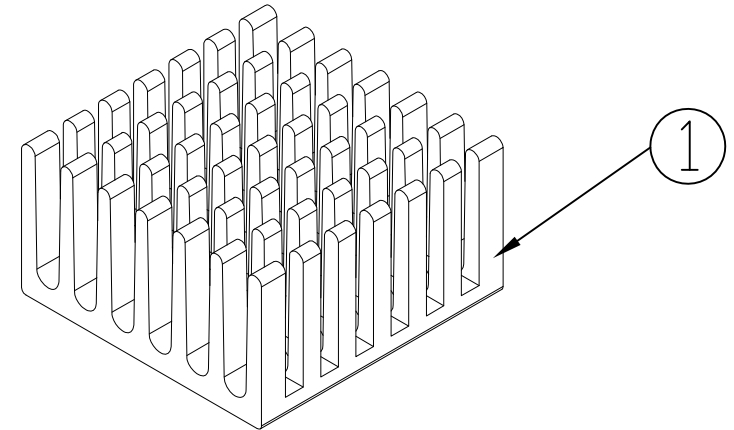
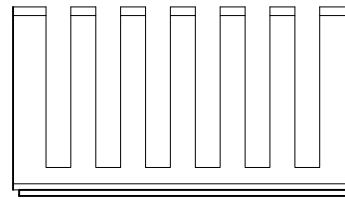
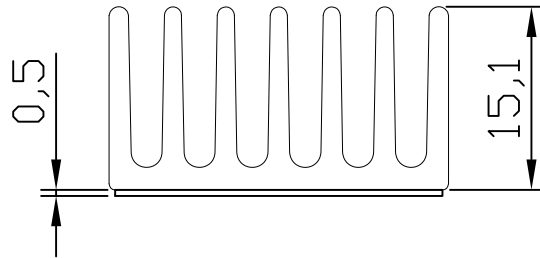
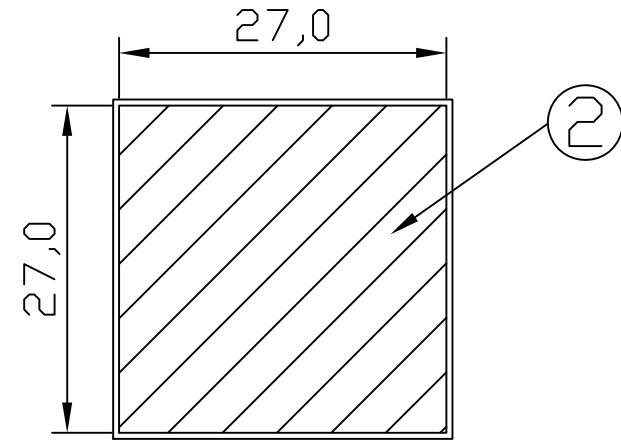
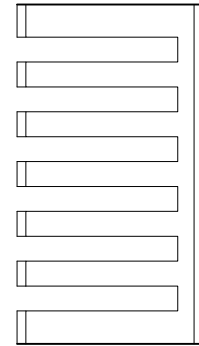
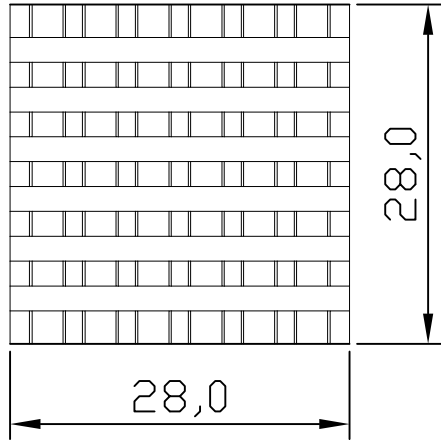
PROPRIETARY NOTE:
 This document contains confidential information and proprietary to Rego Electronics and shall not be reproduced or disclosed to other documents or used for any purpose other than that for which was obtained without the expressed written consent of Rego Electronics.

.X ± 0.30	APPROVED: Chris	
.XX ± 0.20	CHECKED: Levi	
.XXX ± 0.15	DRAWN: Vic	
X* ± 3'		
	UNITS: mm	SCALE: NONE
TITLE: Heat Sink Assembly 28.0 x 28.0 x 11.0mm		PART NO: ALE2828-11110+L37-5
SHEET: 1 OF 1		


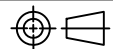
A	20.8.2012
REV	DATE

1 2 3 4 5 6 7 8 9 10

NOTE
 MATERIAL:AL6063-T5
 FINISH:BLACK ANODIZE

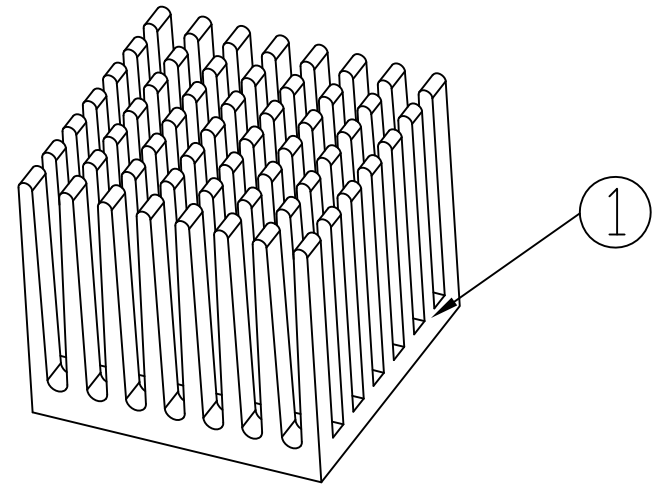
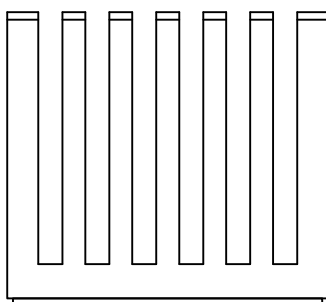
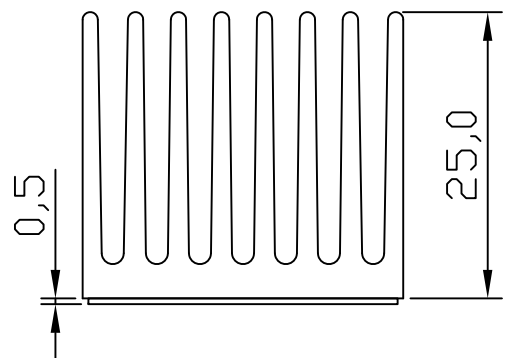
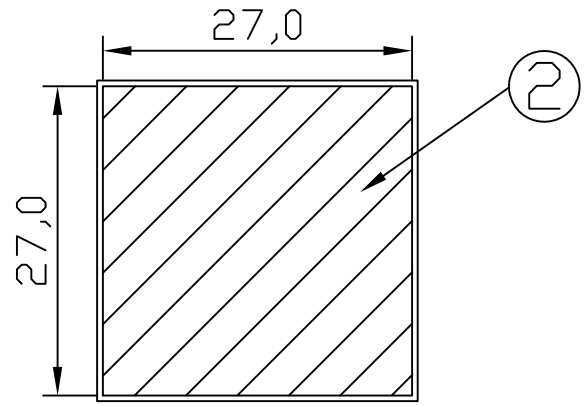
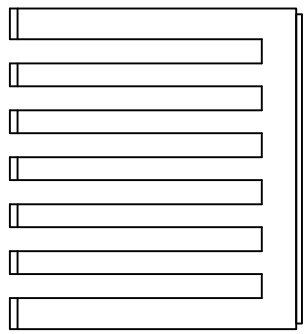
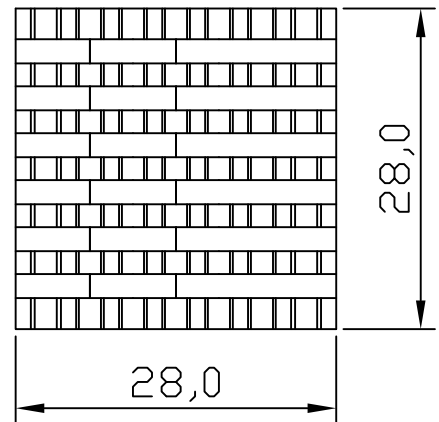


ITEM	DESCRIPTION	FINISH	Q'TY
1	HEAT SINK/AL6063-T5	BLACK ANODIZE	1
2	GAP FILLER/L37-5	LIGHT GRAY	1

PROPRIETARY NOTE: This document contains confidential information and proprietary to Rego Electronics and shall not be reproduced or disclosed to other documents or used for any purpose other than that for which was obtained without the expressed written consent of Rego Electronics.			
.X ± 0.30	APPROVED:	Chris	 http://www.rego.com.tw
.XX ± 0.20	CHECKED:	Levi	
.XXX ± 0.15	DRAWN:	Vic	
X* ± 3'	UNITS:	mm	SCALE: NONE
		TITLE: Heat Sink Assembly 28.0 x 28.0 x 15.1mm PART NO: ALE2828-15110+L37-5 SHEET: 1 OF 1	


A	31.3.2014
REV	DATE

NOTE
 MATERIAL:AL6063-T5
 FINISH:BLACK ANODIZE



PROPRIETARY NOTE:
 This document contains confidential information and proprietary to Rego Electronics and shall not be reproduced or disclosed to other documents or used for any purpose other than that for which was obtained without the expressed written consent of Rego Electronics.

ITEM	DESCRIPTION	FINISH	Q'TY
1	HEAT SINK/AL6063-T5	BLACK ANODIZE	1
2	GAP FILLER/L37-5	LIGHT GRAY	1

.X ± 0.30	APPROVED: Chris	 http://www.rego.com.tw
.XX ± 0.20	CHECKED: Levi	
.XXX ± 0.15	DRAWN: Vic	
X* ± 3'		
UNITS: mm	SCALE: NONE	TITLE: Heat Sink Assembly 28.0 x 28.0 x 25.0mm
SHEET: 1 OF 1		PART NO: ALE2828-25110+L37-5

A	22.11.2012
REV	DATE

1 2 3 4 5 6 7 8 9 10

A

B

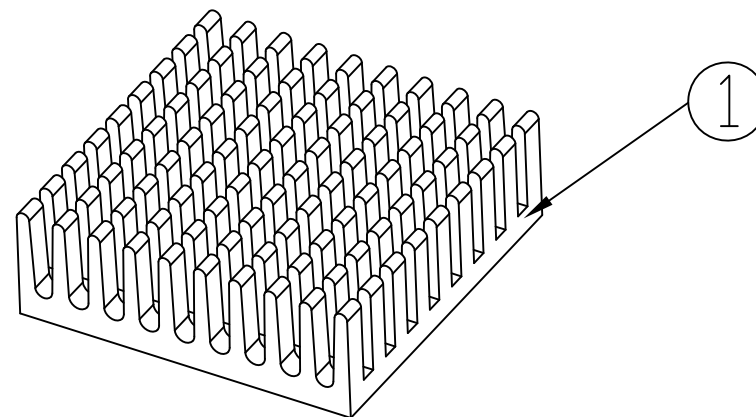
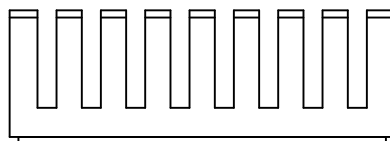
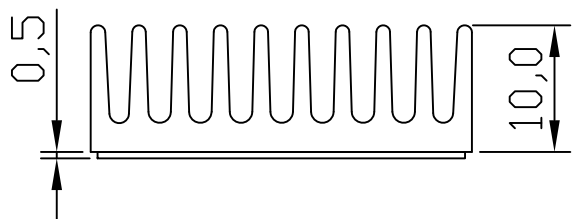
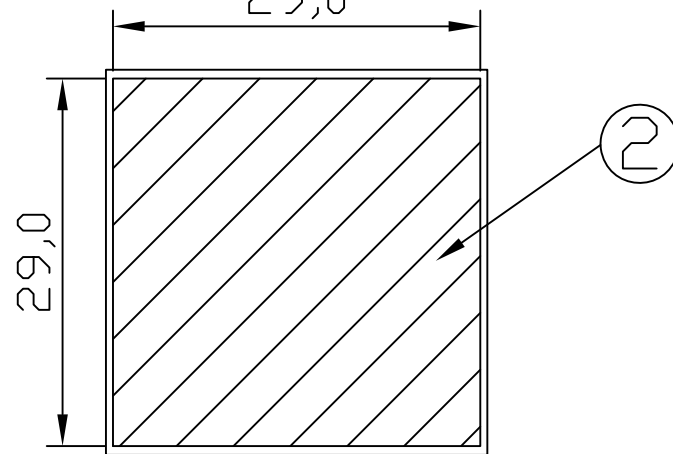
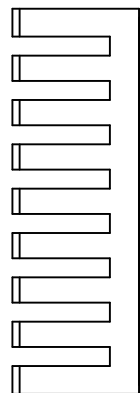
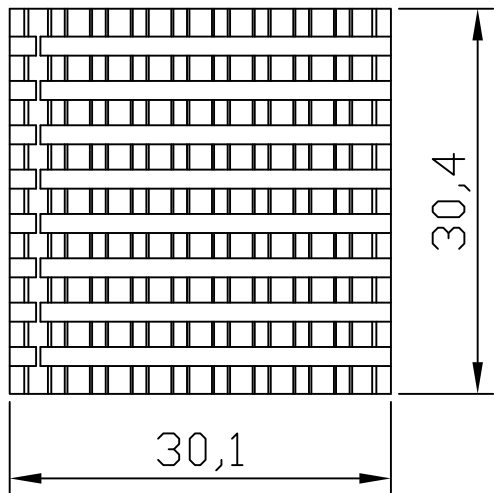
C

D

E


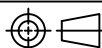
F

NOTE
 MATERIAL:AL6063-T5
 FINISH:BLACK ANODIZE
 29,0



ITEM	DESCRIPTION	FINISH	Q'TY
1	HEAT SINK/AL6063-T5	BLACK ANODIZE	1
2	GAP FILLER/L37-5	LIGHT GRAY	1

PROPRIETARY NOTE:
 This document contains confidential information and proprietary to Rego Electronics and shall not be reproduced or disclosed to other documents or used for any purpose other than that for which was obtained without the expressed written consent of Rego Electronics.

.X ± 0.30	APPROVED: Chris	 http://www.rego.com.tw TITLE: Heat Sink Assembly 30.1 x 30.4 x 10.0mm PART NO: ALE3030-10110+L37-5
.XX ± 0.20	CHECKED: Levi	
.XXX ± 0.15	DRAWN: Vic	
X* ± 3'		
 UNITS: mm SCALE: NONE	SHEET: 1 OF 1	

A	14.12.2012
REV	DATE

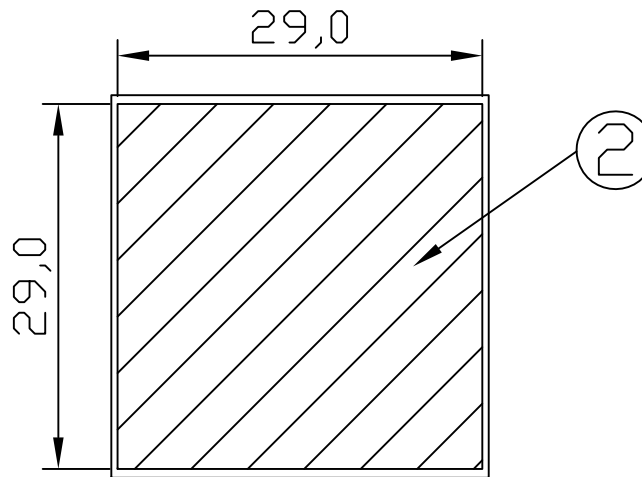
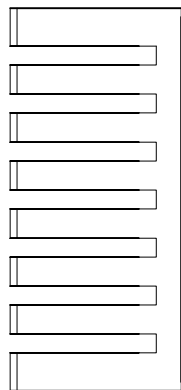
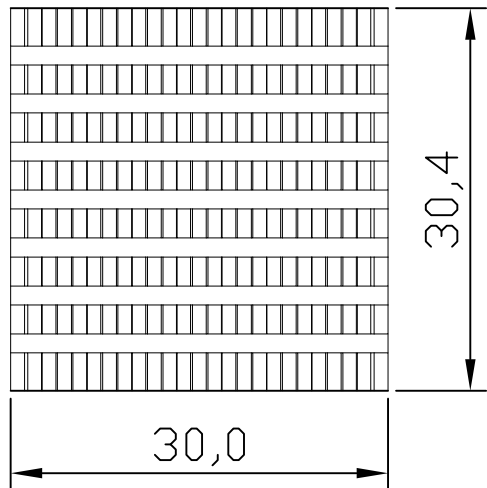
1 2 3 4 5 6 7 8 9 10

1 2 3 4 5 6 7 8 9 10

A

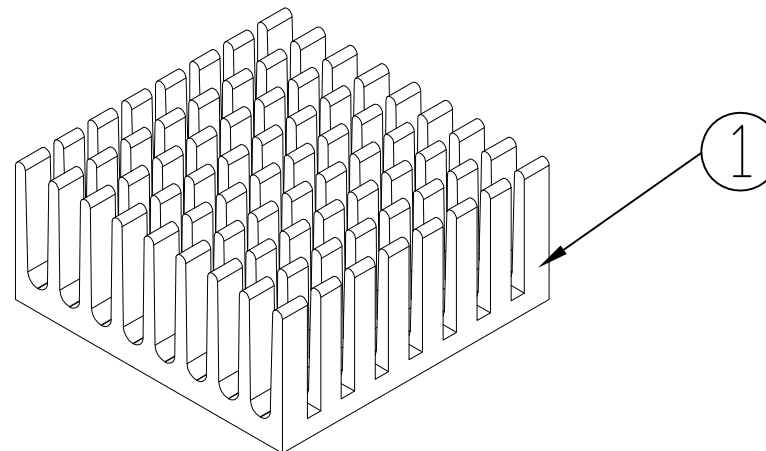
NOTE
 MATERIAL:AL6063-T5
 FINISH:BLACK ANODIZE

B

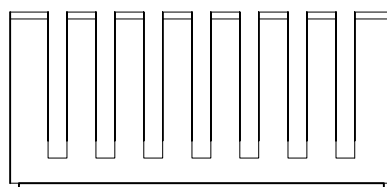
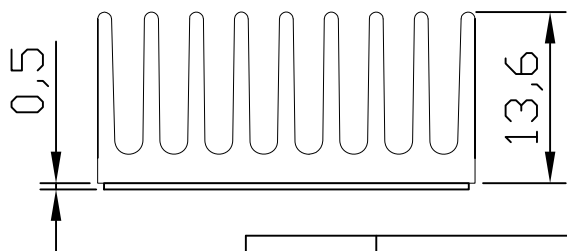


C

D




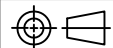
E



F

ITEM	DESCRIPTION	FINISH	Q'TY
1	HEAT SINK/AL6063-T5	BLACK ANODIZE	1
2	GAP FILLER/L37-5	LIGHT GRAY	1

PROPRIETARY NOTE:
 This document contains confidential information and proprietary to Rego Electronics and shall not be reproduced or disclosed to other documents or used for any purpose other than that for which was obtained without the expressed written consent of Rego Electronics.

.X ± 0.30	APPROVED: Chris	 http://www.rego.com.tw	
.XX ± 0.20	CHECKED: Levi		
.XXX ± 0.15	DRAWN: Vic		
X° ± 3'			
	UNITS: mm	SCALE: NONE	TITLE: Heat Sink Assembly 30.0 x 30.4 x 13.6mm PART NO: ALE3030-14110+L37-5 SHEET: 1 OF 10

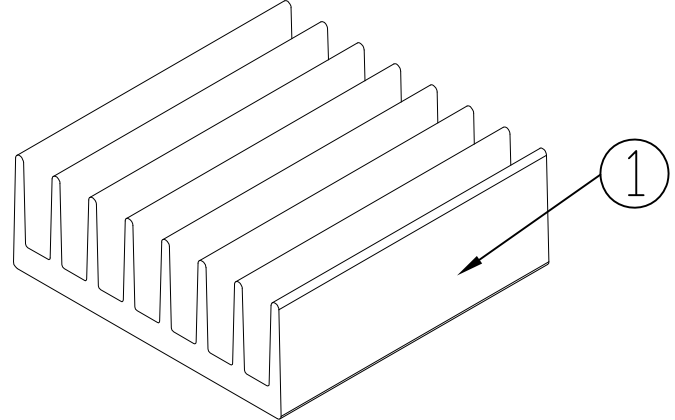
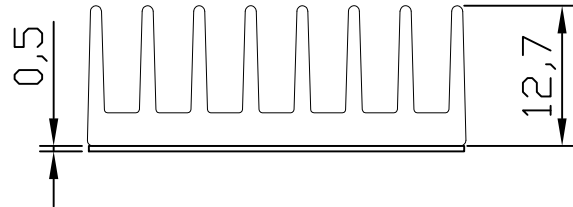
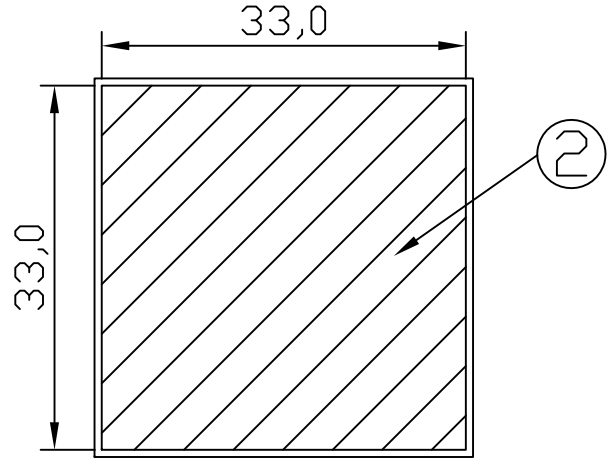
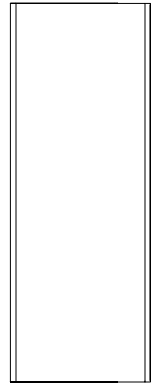
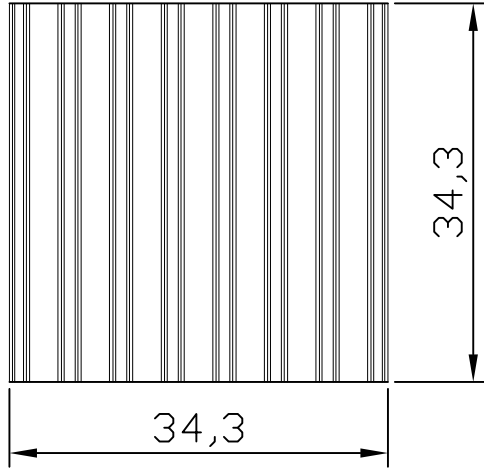
A	17.9.2011
REV	DATE

1 2 3 4 5 6 7 8 9 10

1 2 3 4 5 6 7 8 9 10

A
B
C
D
E
F

NOTE
MATERIAL:AL6063-T5
FINISH:BLACK ANODIZE



PROPRIETARY NOTE:
This document contains confidential information and proprietary to Rego Electronics and shall not be reproduced or disclosed to other documents or used for any purpose other than that for which was obtained without the expressed written consent of Rego Electronics.

ITEM	DESCRIPTION	FINISH	Q'TY
1	HEAT SINK/AL6063-T5	BLACK ANODIZE	1
2	GAP FILLER/L37-5	LIGHT GRAY	1

.X ± 0.30	APPROVED: Chris
.XX ± 0.20	CHECKED: Levi
.XXX ± 0.15	DRAWN: Vic
X° ± 3'	UNITS: mm
	SCALE: NONE

TITLE: Heat Sink Assembly
34.3 x 34.3 x 12.7mm
PART NO: ALE3434-13110+L37-5
SHEET: 1 OF 1

A	17.9.2011
REV	DATE

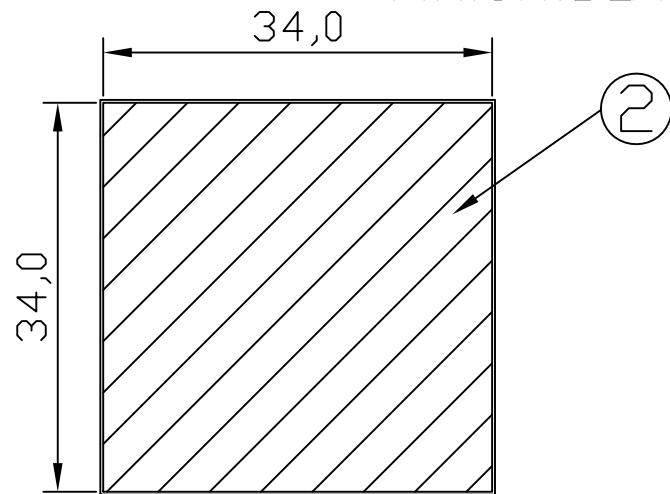
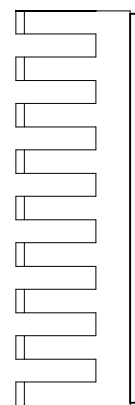
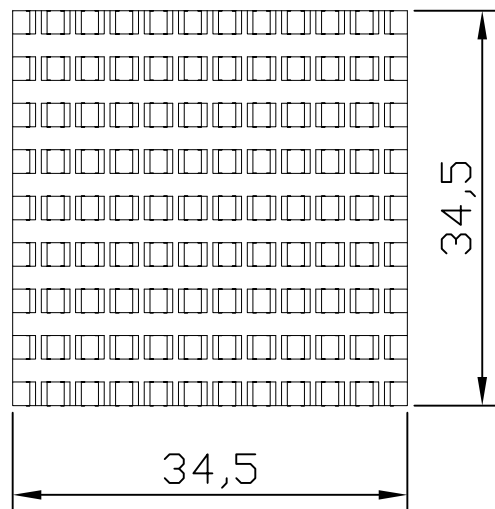
1 2 3 4 5 6 7 8 9 10

1 2 3 4 5 6 7 8 9 10

A

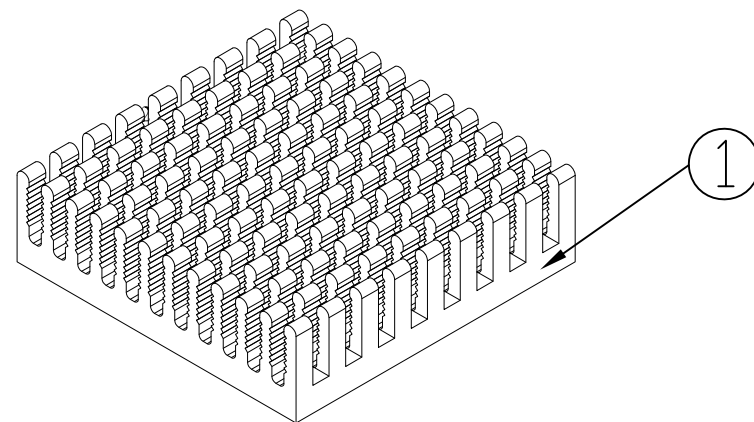
NOTE
 MATERIAL:AL6063-T5
 FINISH:BLACK ANODIZE

B

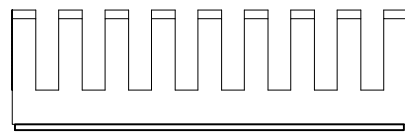
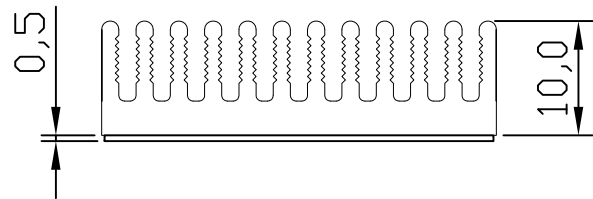


C

D




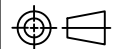
E



F

ITEM	DESCRIPTION	FINISH	Q'TY
1	HEAT SINK/AL6063-T5	BLACK ANODIZE	1
2	GAP FILLER/L37-5	LIGHT GRAY	1

PROPRIETARY NOTE:
 This document contains confidential information and proprietary to Rego Electronics and shall not be reproduced or disclosed to other documents or used for any purpose other than that for which was obtained without the expressed written consent of Rego Electronics.

.X ± 0.30	APPROVED: Chris	 http://www.rego.com.tw
.XX ± 0.20	CHECKED: Levi	
.XXX ± 0.15	DRAWN: Vic	TITLE: Heat Sink Assembly 34.5 x 34.5 x 10.0mm
X° ± 3'	UNITS: mm	SCALE: NONE
		PART NO: ALE3535-10110+L37-5
		SHEET: 1 OF 10

A	16.11.2011
REV	DATE

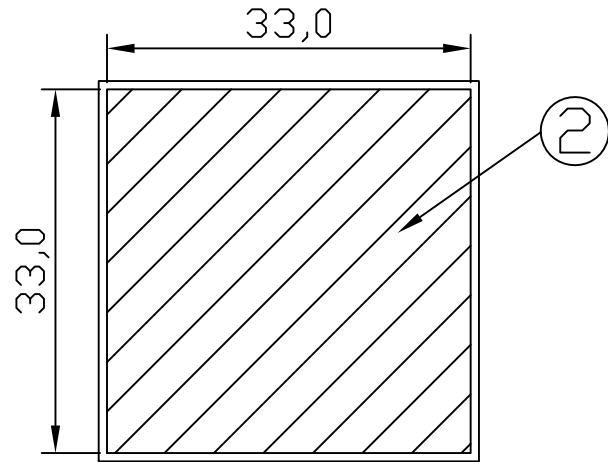
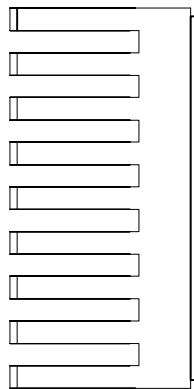
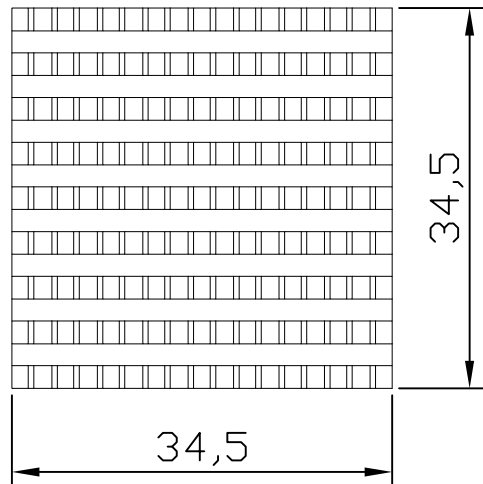
1 2 3 4 5 6 7 8 9 10

1 2 3 4 5 6 7 8 9 10

A

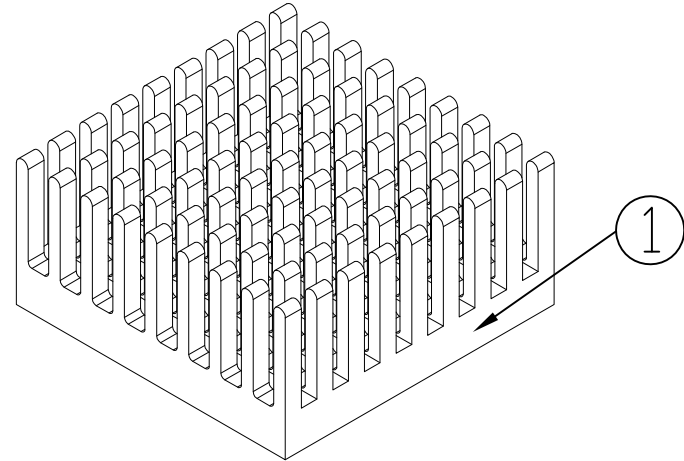
NOTE
 MATERIAL:AL6063-T5
 FINISH:BLACK ANODIZE

B

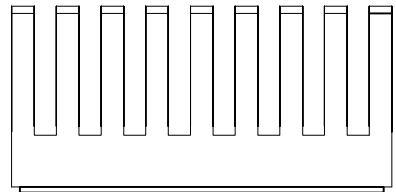
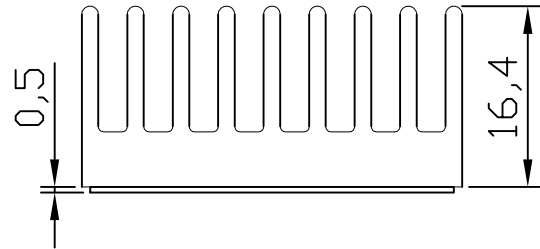


C

D



E



F

PROPRIETARY NOTE:
 This document contains confidential information and proprietary to Rego Electronics and shall not be reproduced or disclosed to other documents or used for any purpose other than that for which was obtained without the expressed written consent of Rego Electronics.

ITEM	DESCRIPTION	FINISH	Q'TY
1	HEAT SINK/AL6063-T5	BLACK ANODIZE	1
2	GAP FILLER/L37-5	LIGHT GRAY	1

.X ± 0.30	APPROVED: Chris
.XX ± 0.20	CHECKED: Levi
.XXX ± 0.15	DRAWN: Vic
X* ± 3'	UNITS: mm
	SCALE: NONE

<http://www.rego.com.tw>

TITLE: Heat Sink Assembly
 34.5 x 34.5 x 16.4mm

PART NO: ALE3535-16110+L37-5

SHEET: 1 OF 10

A	30.9.2011
REV	DATE

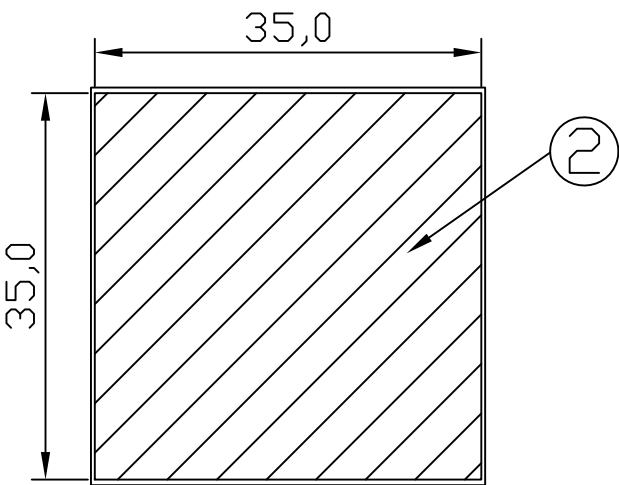
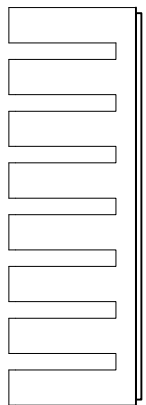
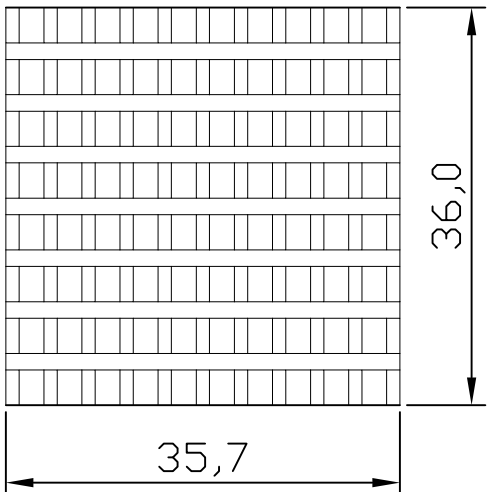
1 2 3 4 5 6 7 8 9 10

1 2 3 4 5 6 7 8 9 10

A

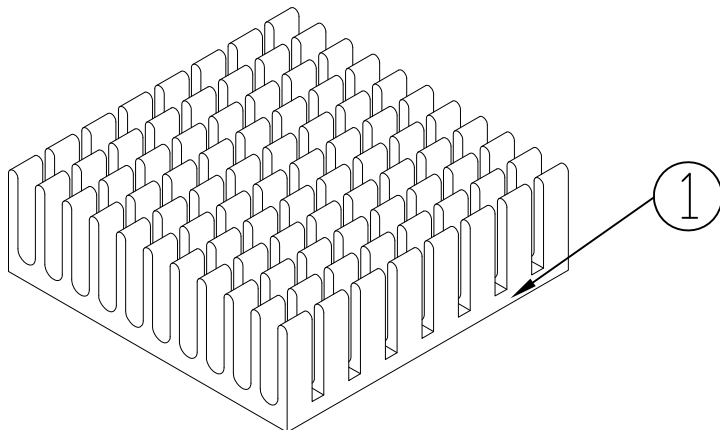
NOTE
 MATERIAL:AL6063-T5
 FINISH:BLACK ANODIZE

B

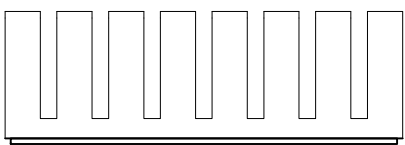
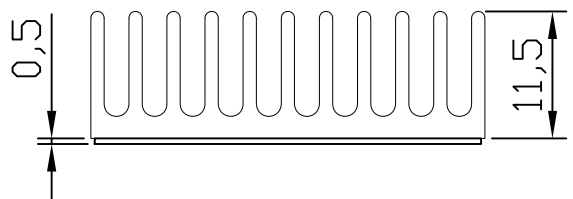


C

D




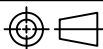
E



F

ITEM	DESCRIPTION	FINISH	Q'TY
1	HEAT SINK/AL6063-T5	BLACK ANODIZE	1
2	GAP FILLER/L37-5	LIGHT GRAY	1

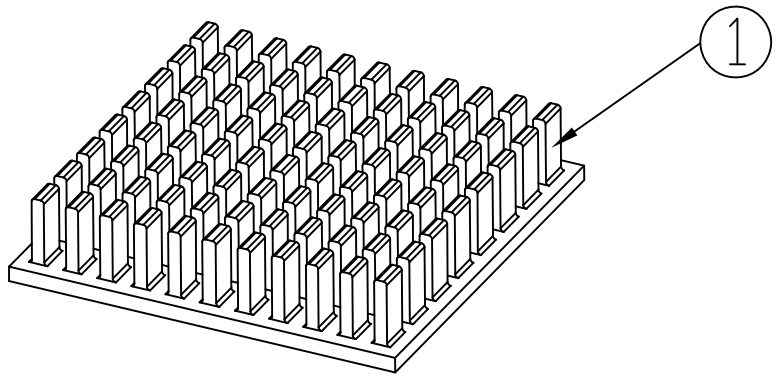
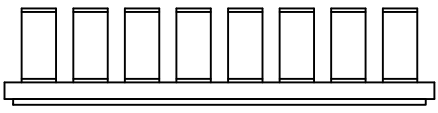
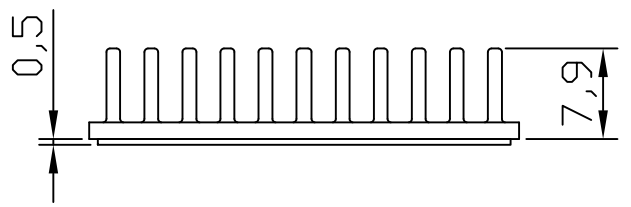
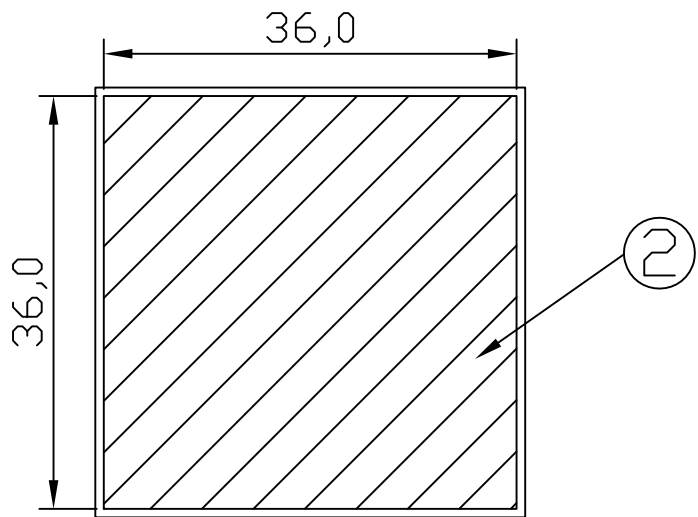
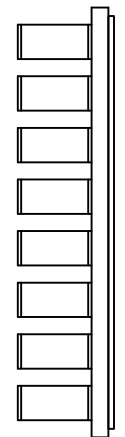
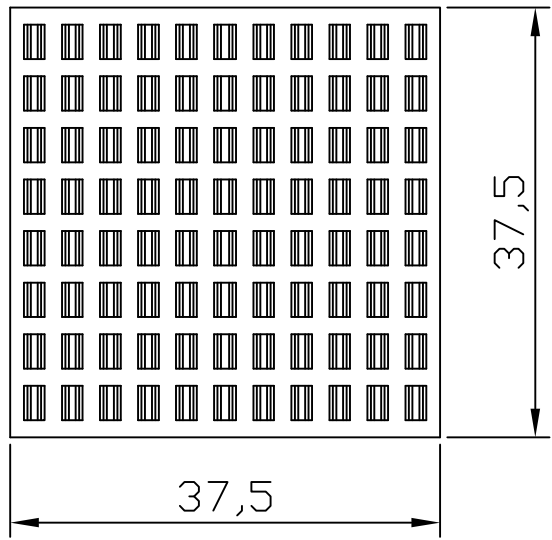
PROPRIETARY NOTE:
 This document contains confidential information and proprietary to Rego Electronics and shall not be reproduced or disclosed to other documents or used for any purpose other than that for which was obtained without the expressed written consent of Rego Electronics.

.X ± 0.30	APPROVED: Chris	 http://www.rego.com.tw TITLE: Heat Sink Assembly 35.7 x 36.0 x 11.5mm PART NO: ALE3636-12110+L37-5
.XX ± 0.20	CHECKED: Levi	
.XXX ± 0.15	DRAWN: Vic	
X* ± 3'		
	UNITS: mm	SCALE: NONE
SHEET: 1 OF 1		

A	21.10.2013
REV	DATE


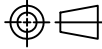
1 2 3 4 5 6 7 8 9 10

NOTE
 MATERIAL:AL6063-T5
 FINISH:BLACK ANODIZE



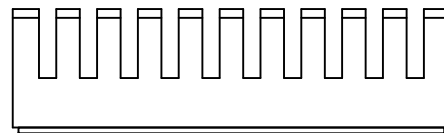
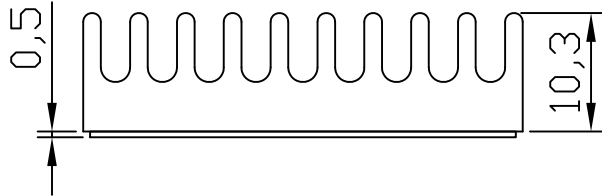
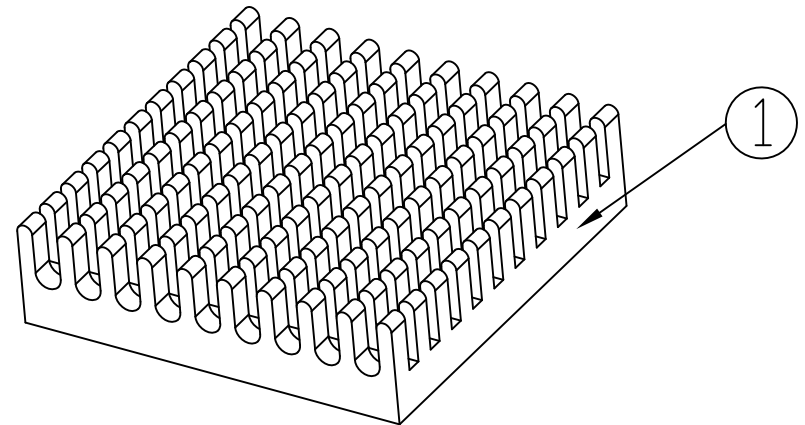
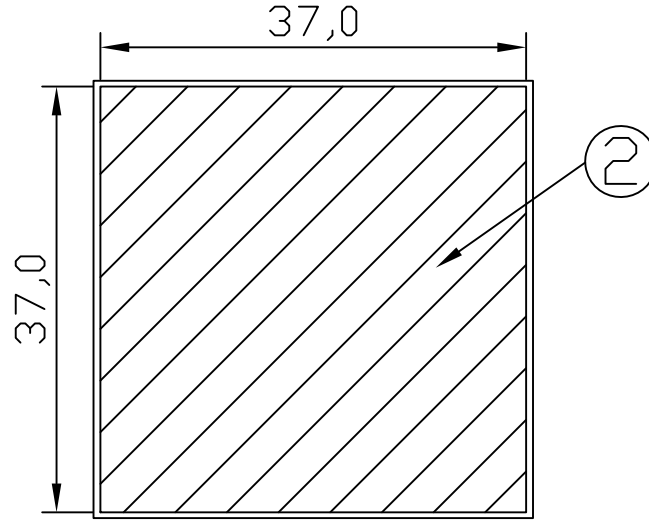
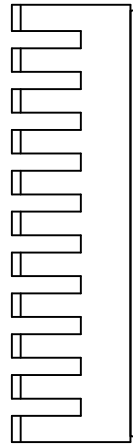
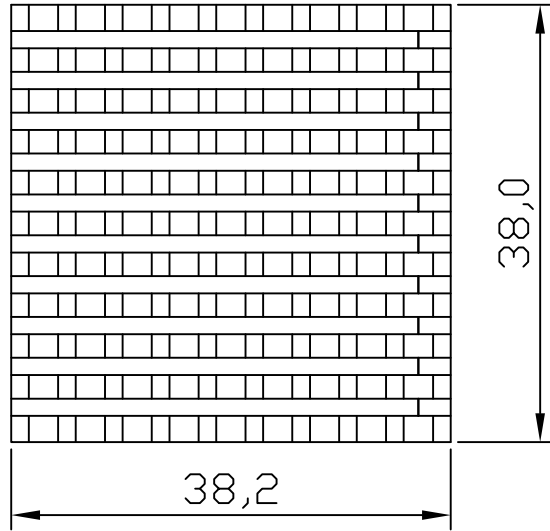
ITEM	DESCRIPTION	FINISH	Q'TY
1	HEAT SINK/AL6063-T5	BLACK ANODIZE	1
2	GAP FILLER/L37-5	LIGHT GRAY	1

PROPRIETARY NOTE:
 This document contains confidential information and proprietary to Rego Electronics and shall not be reproduced or disclosed to other documents or used for any purpose other than that for which was obtained without the expressed written consent of Rego Electronics.

.X ± 0.30	APPROVED: Chris	 http://www.rego.com.tw TITLE: Heat Sink Assembly 37.5 x 37.5 x 7.9mm	
.XX ± 0.20	CHECKED: Levi		
.XXX ± 0.15	DRAWN: Vic		
X* ± 3'			
	UNITS: mm	SCALE: NONE	PART NO: ALE3838-08110+L37-5
			SHEET: 1 OF 1

A	04.2.2014
REV	DATE


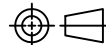
NOTE
 MATERIAL:AL6063-T5
 FINISH:BLACK ANODIZE



ITEM	DESCRIPTION	FINISH	Q'TY
1	HEAT SINK/AL6063-T5	BLACK ANODIZE	1
2	GAP FILLER/L37-5	LIGHT GRAY	1

PROPRIETARY NOTE:

This document contains confidential information and proprietary to Rego Electronics and shall not be reproduced or disclosed to other documents or used for any purpose other than that for which was obtained without the expressed written consent of Rego Electronics.

.X ± 0.30	APPROVED: Chris	 http://www.rego.com.tw
.XX ± 0.20	CHECKED: Levi	
.XXX ± 0.15	DRAWN: Vic	
X* ± 3'		
	UNITS: mm	SCALE: NONE
TITLE: Heat Sink Assembly 38.2 x 38.0 x 10.3mm		PART NO: ALE3838-10110+L37-5
SHEET: 1		DF 1

A	17.9.2011
REV	DATE

www.rego.com.tw

sales@rego.com.tw

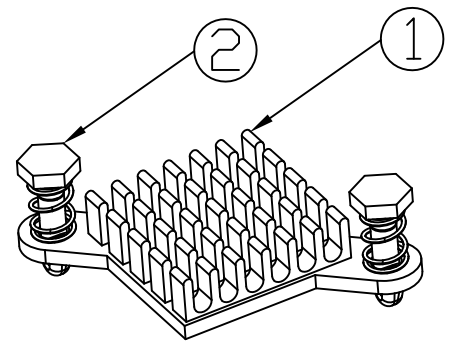
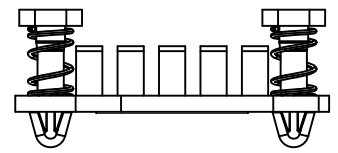
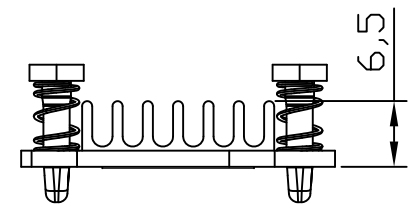
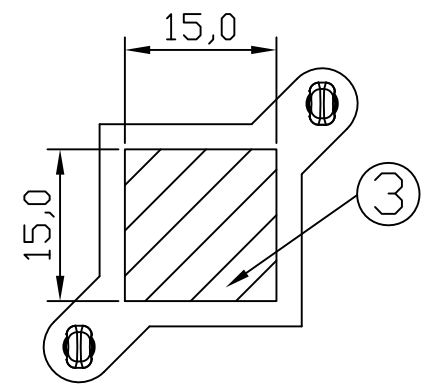
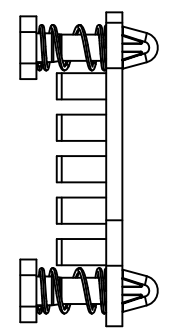
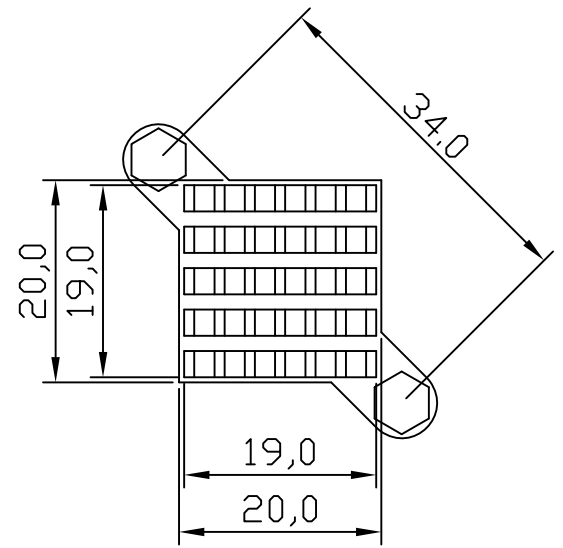
886 2 26436558

鋁擠散熱片+Push Pins ~ 常用料

ITEM	REGO P/N	L x W x H (mm)	FIN TYPE
1	ALE2020-07111+T725	20 x 20 x 6.5	PIN
2	ALE2323-07111+T725	23 x 23 x 6.5	PIN
3	ALE3030-18111+T725	30 x 30 x 17.5	PIN
4	ALE3539-08111+T725	34.5 x 39.0 x 8	PIN
5	ALE3539-10111+T725	34.5 x 39.0 x 10	PIN
6	ALE3738-13111+T725	37.4 x 37.8 x 13	PIN
7	ALE3836-07111+T725	38 x 36 x 6.5	PIN
8	ALE3838-07111+T725	38.2 x 38.2 x 6.5	PIN
9	ALE3838-08111+T725	38.2 x 38.2 x 8	PIN
10	ALE3838-10111+T725	38.3 x 38.3 x 10	PIN
11	ALE3838-13111+T725	37.8 x 37.6 x 13.1	PIN
12	ALE3838-13111A+T725	38.2 x 38.2 x 13	PIN
13	ALE3838-18111+T725	38 x 38 x 18	PIN
14	ALE3838-30111+T725	37.5 x 37.5 x 30	LINE
15	ALE3936-10111+T725	38.8 x 36 x 10	PIN
16	ALE4242-30117+T725	42 x 42 x 30	PIN




NOTE
 MATERIAL:AL6063-T5
 FINISH:BLACK ANODIZE



ITEM	DESCRIPTION	FINISH	Q'TY
1	HEAT SINK/AL6063-T5	BLACK ANODIZE	1
2	PUSH PIN	BLACK	2
3	GAP FILLER/T725	PINK	1

PROPRIETARY NOTE:
 This document contains confidential information and proprietary to Rego Electronics and shall not be reproduced or disclosed to other documents or used for any purpose other than that for which was obtained without the expressed written consent of Rego Electronics.

.X ± 0.30	APPROVED: Chris
.XX ± 0.20	CHECKED: Levi
.XXX ± 0.15	DRAWN: Vic
X* ± 3'	


<http://www.rego.com.tw>
 TITLE: Heat Sink Assembly
 20.0 x 20.0 x 6.5mm
 PART NO: ALE2020-07111+T725
 SHEET: 1 OF 1

A	11.11.2011
REV	DATE

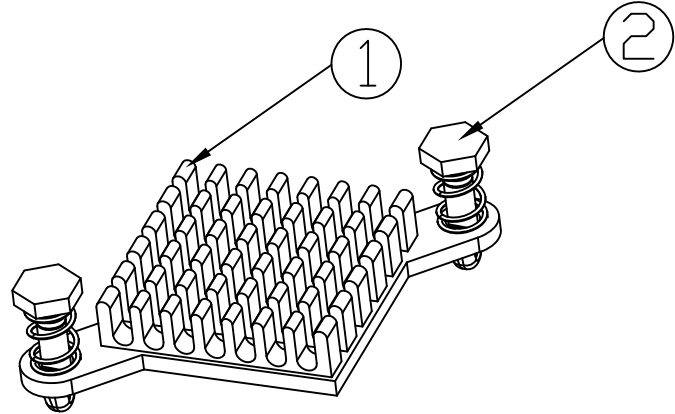
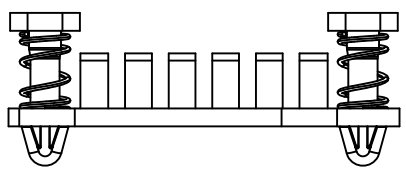
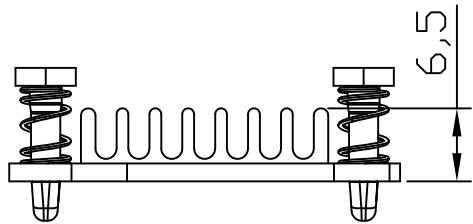
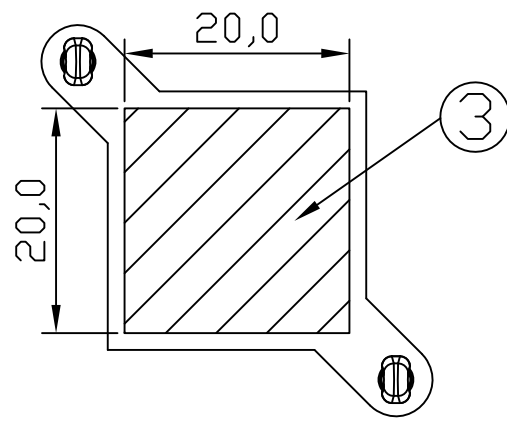
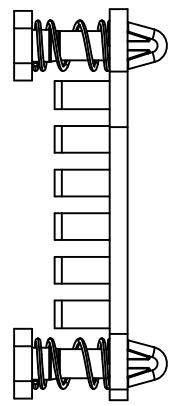
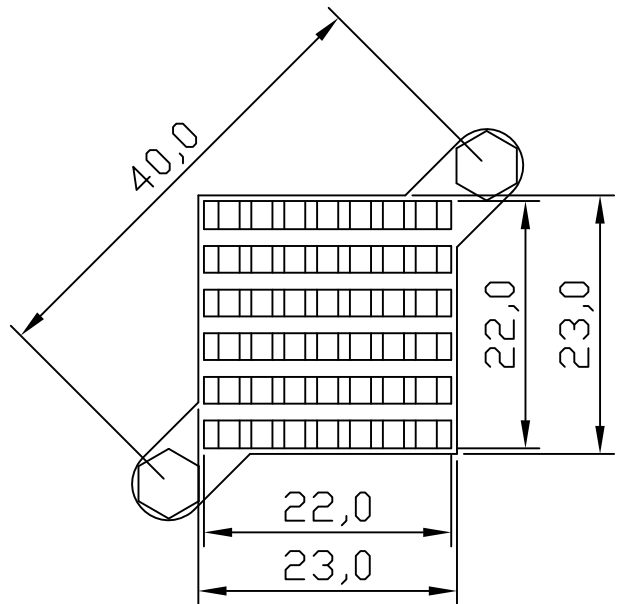
1 2 3 4 5 6 7 8 9 10

A
B
C
D
E
F

A
B
C
D
E
F

1 2 3 4 5 6 7 8 9 10

NOTE
 MATERIAL:AL6063-T5
 FINISH:BLACK ANODIZE



ITEM	DESCRIPTION	FINISH	Q'TY
1	HEAT SINK/AL6063-T5	BLACK ANODIZE	1
2	PUSH PIN	BLACK	2
3	GAP FILLER/T725	PINK	1

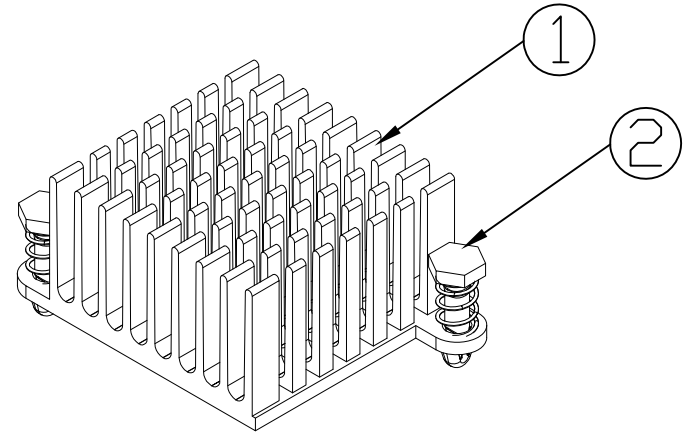
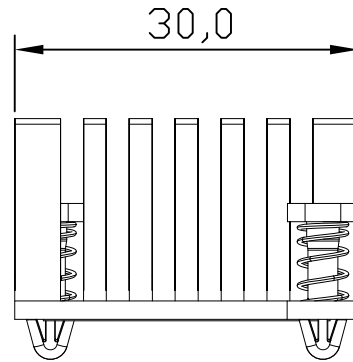
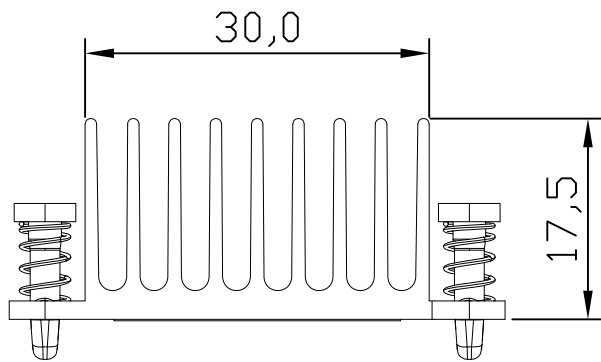
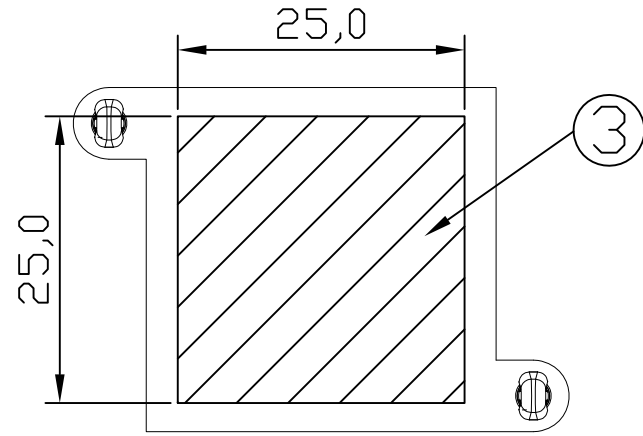
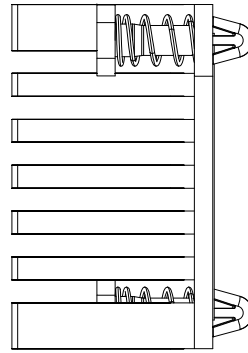
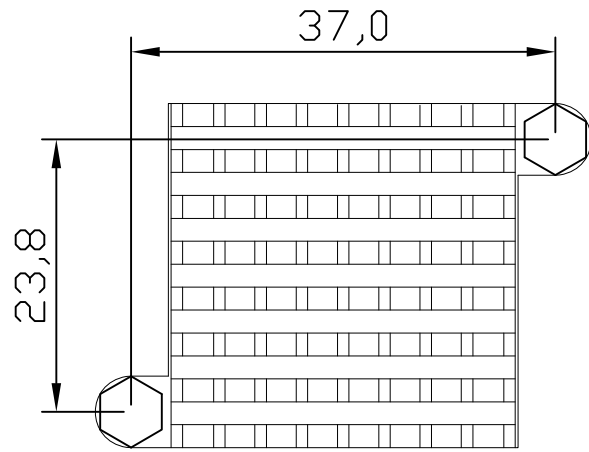
PROPRIETARY NOTE:
 This document contains confidential information and proprietary to Rego Electronics and shall not be reproduced or disclosed to other documents or used for any purpose other than that for which was obtained without the expressed written consent of Rego Electronics.

.X ± 0.30	APPROVED: Chris
.XX ± 0.20	CHECKED: Levi
.XXX ± 0.15	DRAWN: Vic
X* ± 3'	


<http://www.rego.com.tw>
 TITLE: Heat Sink Assembly
 23.0 x 23.0 x 6.5mm
 PART NO: ALE2323-07111+T725
 SHEET: 1 OF 1


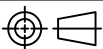
A	30.9.2015
REV	DATE

NOTE
 MATERIAL:AL6063-T5
 FINISH:BLACK ANODIZE



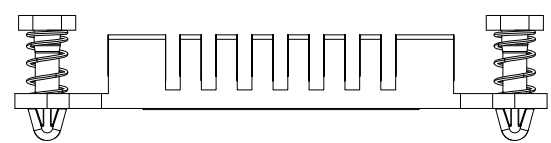
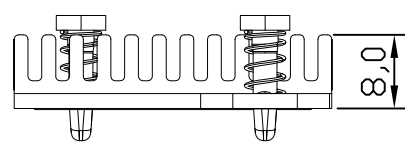
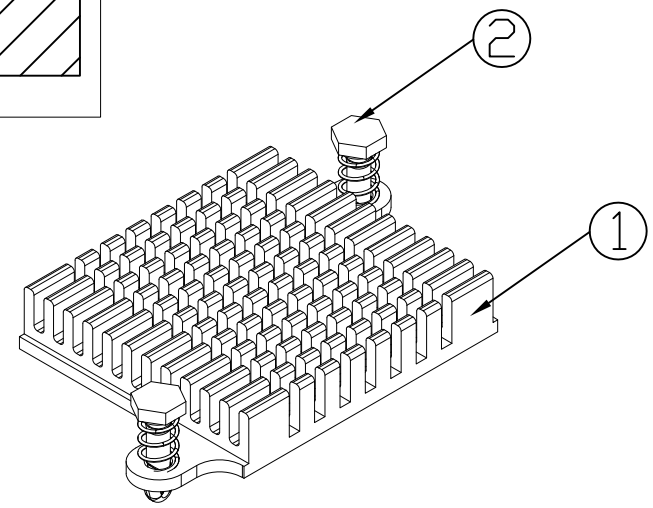
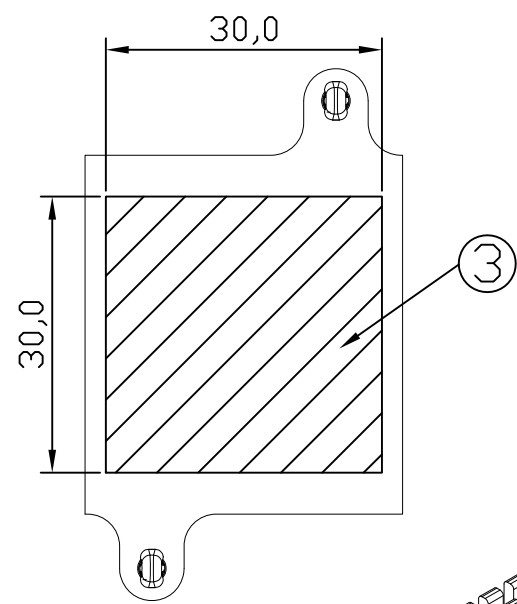
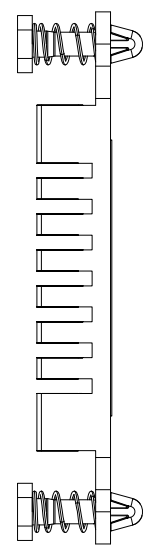
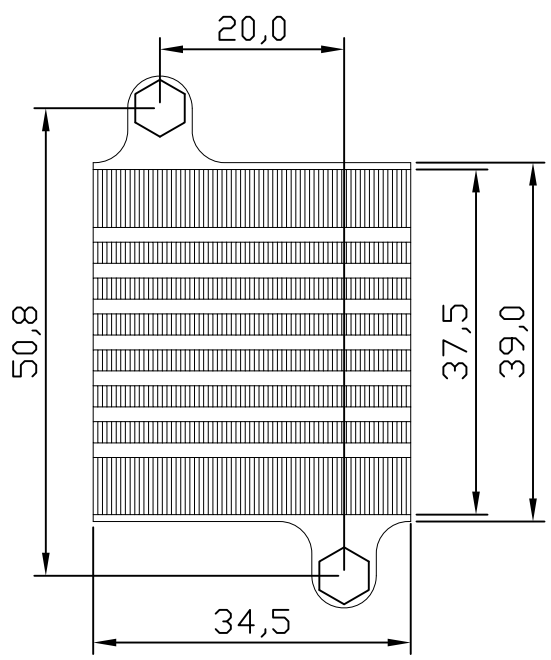
ITEM	DESCRIPTION	FINISH	Q'TY
1	HEAT SINK/AL6063-T5	BLACK ANODIZE	1
2	PUSH PIN	BLACK	2
3	GAP FILLER/T725	PINK	1

PROPRIETARY NOTE:
 This document contains confidential information and proprietary to Rego Electronics and shall not be reproduced or disclosed to other documents or used for any purpose other than that for which was obtained without the expressed written consent of Rego Electronics.


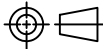
.X ± 0.30	APPROVED: Chris	 TITLE: Heat Sink Assembly 30.0 x 30.0 x 17.5mm
.XX ± 0.20	CHECKED: Levi	
.XXX ± 0.15	DRAWN: Vic	
X* ± 3'		
 UNITS: mm SCALE: NONE	PART NO: ALE3030-18111+T725	SHEET: 1 OF 1

A	22.1.2013
REV	DATE

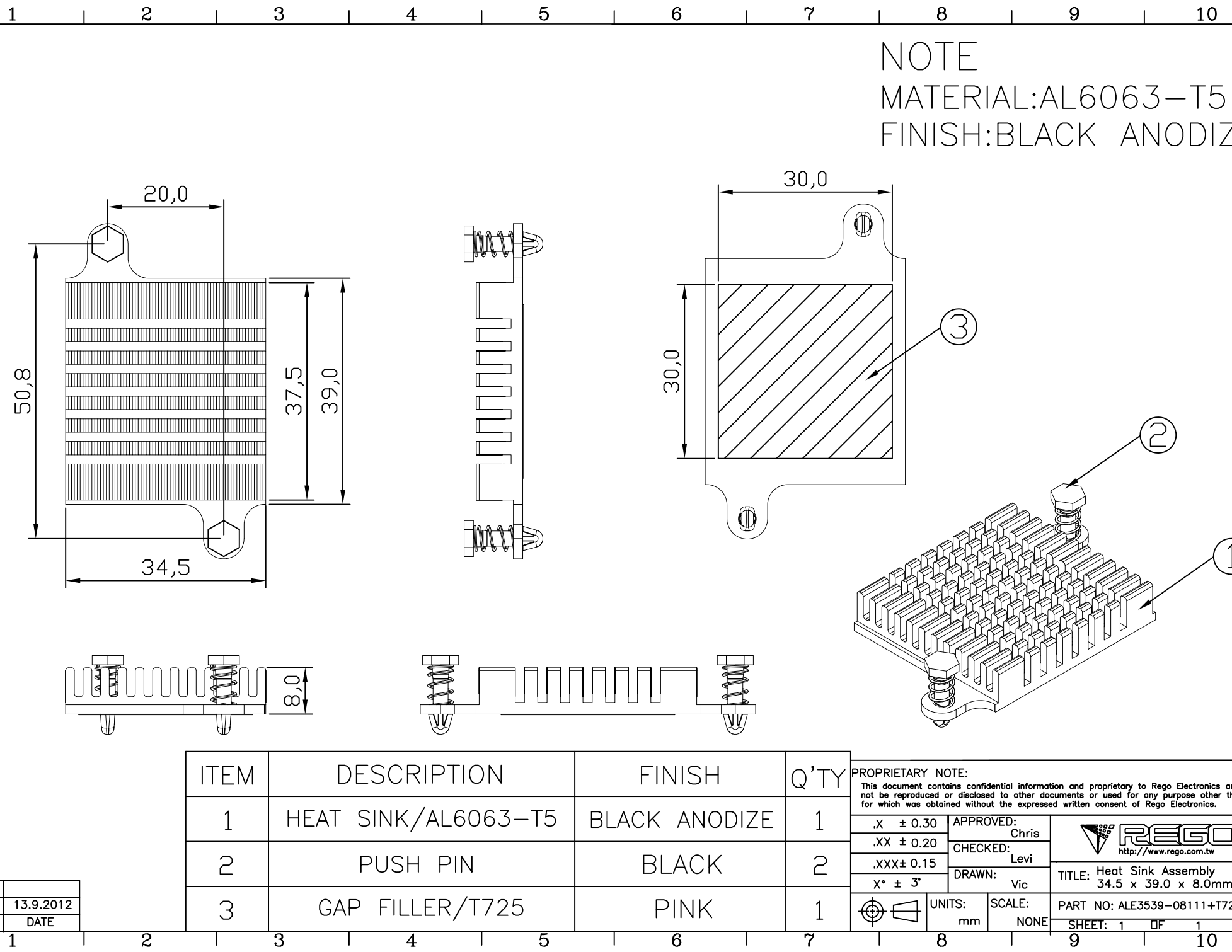
NOTE
 MATERIAL:AL6063-T5
 FINISH:BLACK ANODIZE



ITEM	DESCRIPTION	FINISH	Q'TY
1	HEAT SINK/AL6063-T5	BLACK ANODIZE	1
2	PUSH PIN	BLACK	2
3	GAP FILLER/T725	PINK	1

PROPRIETARY NOTE: This document contains confidential information and proprietary to Rego Electronics and shall not be reproduced or disclosed to other documents or used for any purpose other than that for which was obtained without the expressed written consent of Rego Electronics.			
.X ± 0.30	APPROVED: Chris	 http://www.rego.com.tw TITLE: Heat Sink Assembly 34.5 x 39.0 x 8.0mm PART NO: ALE3539-08111+T725 SHEET: 1 OF 1	
.XX ± 0.20	CHECKED: Levi		
.XXX ± 0.15	DRAWN: Vic		
X* ± 3'			
 UNITS: mm SCALE: NONE			

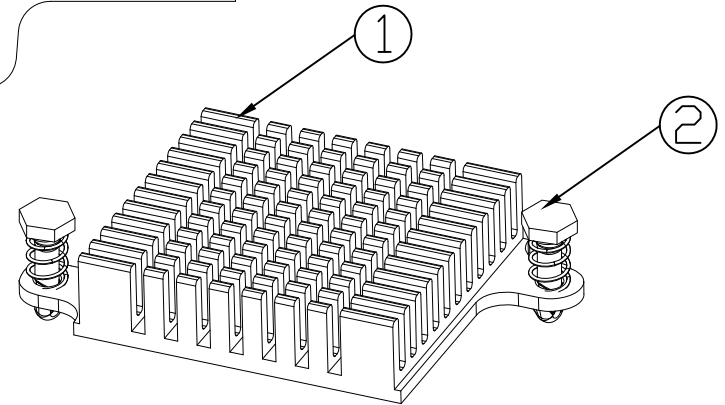
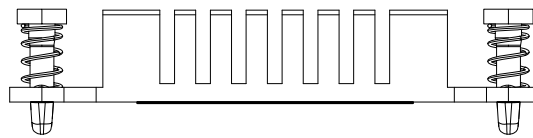
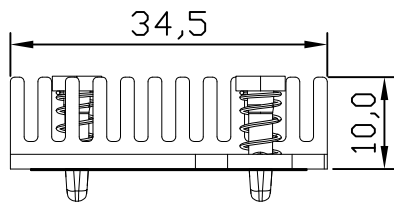
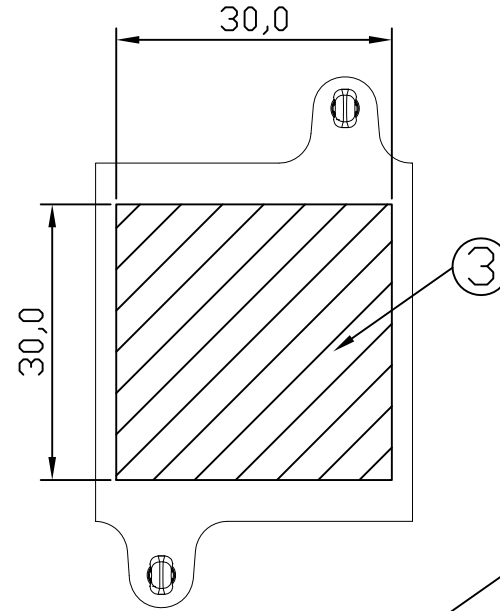
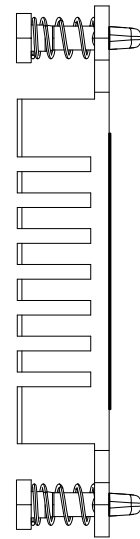
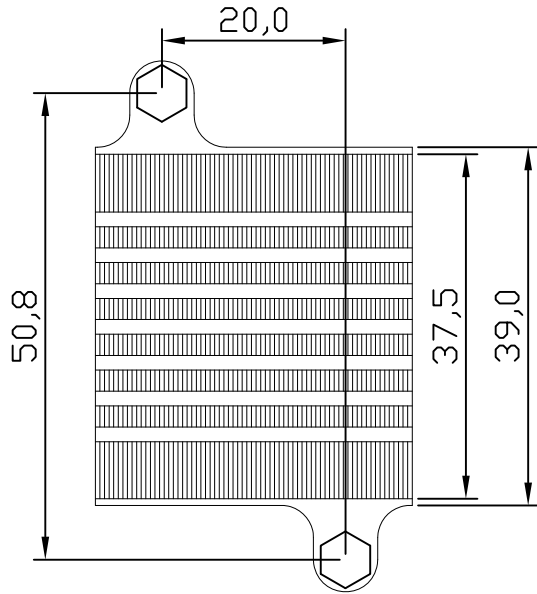
A	13.9.2012
REV	DATE



1 2 3 4 5 6 7 8 9 10

A
B
C
D
E
F


NOTE
MATERIAL:AL6063-T5
FINISH:BLACK ANODIZE



ITEM	DESCRIPTION	FINISH	Q'TY
1	HEAT SINK/AL6063-T5	BLACK ANODIZE	1
2	PUSH PIN	BLACK	2
3	GAP FILLER/T725	PINK	1

PROPRIETARY NOTE:
This document contains confidential information and proprietary to Rego Electronics and shall not be reproduced or disclosed to other documents or used for any purpose other than that for which was obtained without the expressed written consent of Rego Electronics.

.X ± 0.30	APPROVED: Chris
.XX ± 0.20	CHECKED: Levi
.XXX ± 0.15	DRAWN: Vic
X* ± 3'	UNITS: mm
SCALE: NONE	


<http://www.rego.com.tw>
 TITLE: Heat Sink Assembly
 34.5 x 39.0 x 10.0mm
 PART NO: ALE3539-10111+T725
 SHEET: 1 OF 1

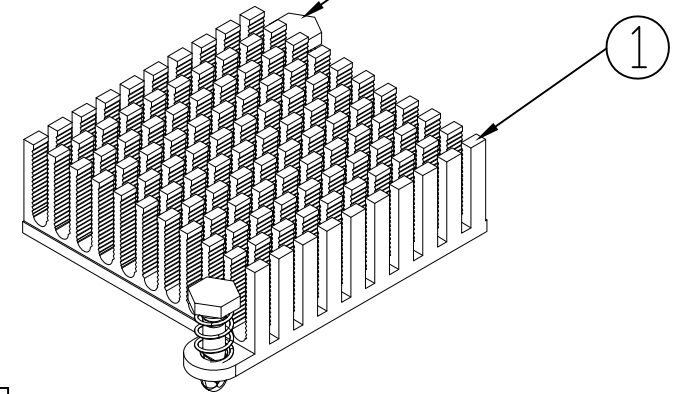
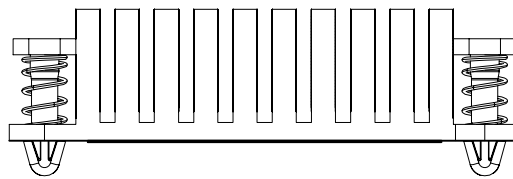
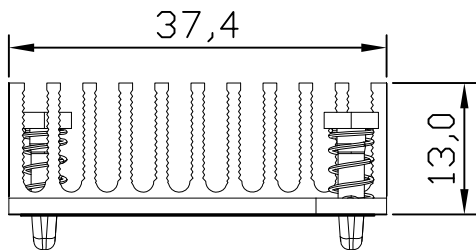
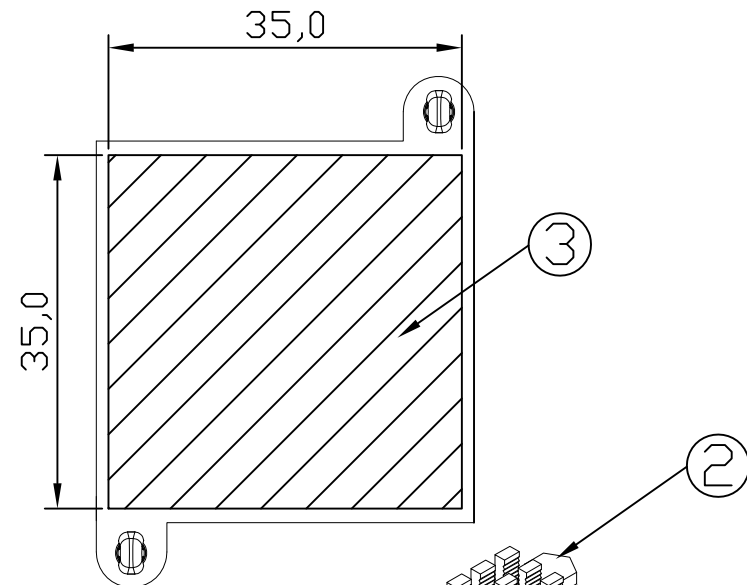
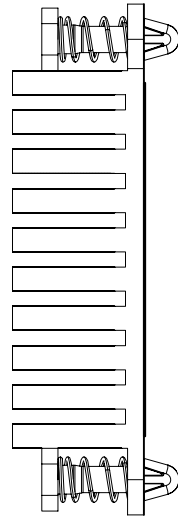
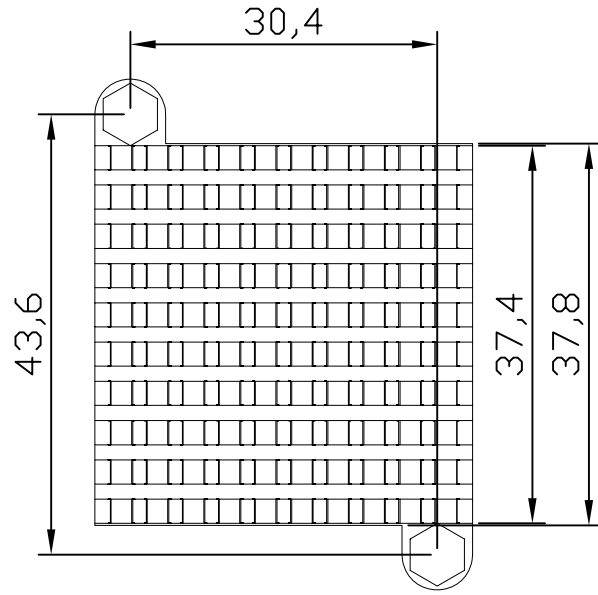
A	20.1.2012
REV	DATE

1 2 3 4 5 6 7 8 9 10

1 2 3 4 5 6 7 8 9 10

A
B
C
D
E
F

NOTE
MATERIAL:AL6063-T5
FINISH:NATURAL ANODIZE



ITEM	DESCRIPTION	FINISH	Q'TY
1	HEAT SINK/AL6063-T5	NATURAL ANODIZE	1
2	PUSH PIN	WHITE	2
3	GAP FILLER/T725	PINK	1

PROPRIETARY NOTE:
This document contains confidential information and proprietary to Rego Electronics and shall not be reproduced or disclosed to other documents or used for any purpose other than that for which was obtained without the expressed written consent of Rego Electronics.

.X ± 0.30	APPROVED: Chris
.XX ± 0.20	CHECKED: Levi
.XXX ± 0.15	DRAWN: Vic
X* ± 3°	UNITS: mm
	SCALE: NONE


<http://www.rego.com.tw>
 TITLE: Heat Sink Assembly
 37.4 x 37.8 x 13.0mm
 PART NO: ALE3738-13111+T725
 SHEET: 1 OF 1

A	18.1.2012
REV	DATE

1 2 3 4 5 6 7 8 9 10

1 2 3 4 5 6 7 8 9 10

A

B

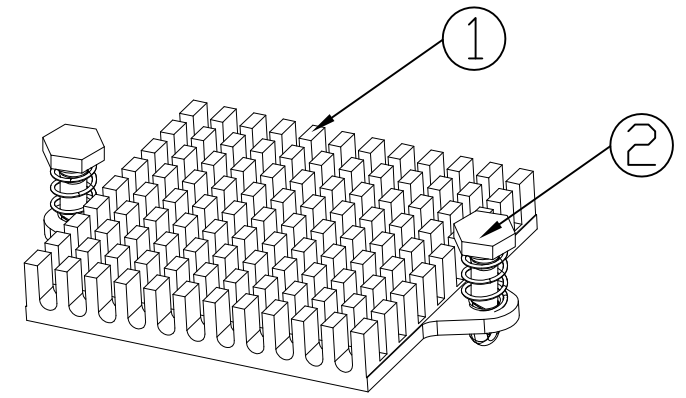
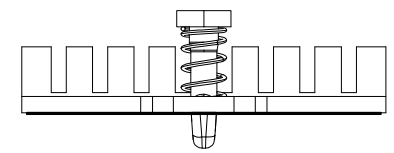
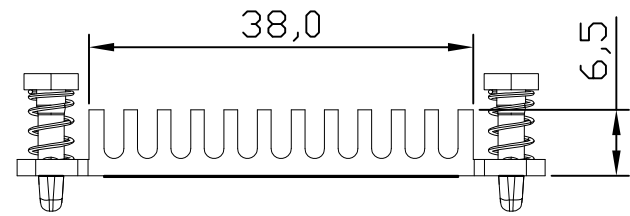
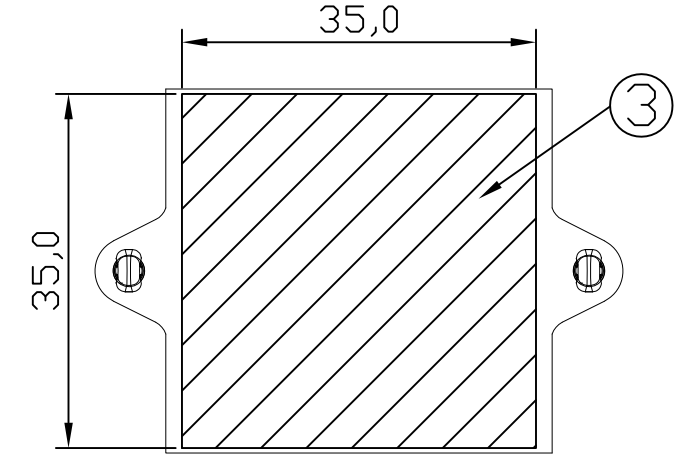
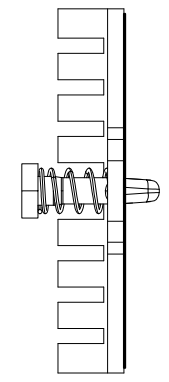
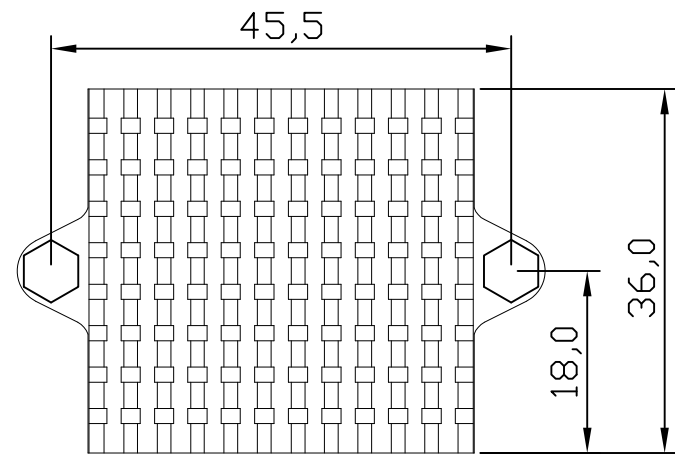
C

D

E

F

NOTE
 MATERIAL:AL6063-T5
 FINISH:BLACK ANODIZE



ITEM	DESCRIPTION	FINISH	Q'TY
1	HEAT SINK/AL6063-T5	BLACK ANODIZE	1
2	PUSH PIN	BLACK	2
3	GAP FILLER/T725	PINK	1

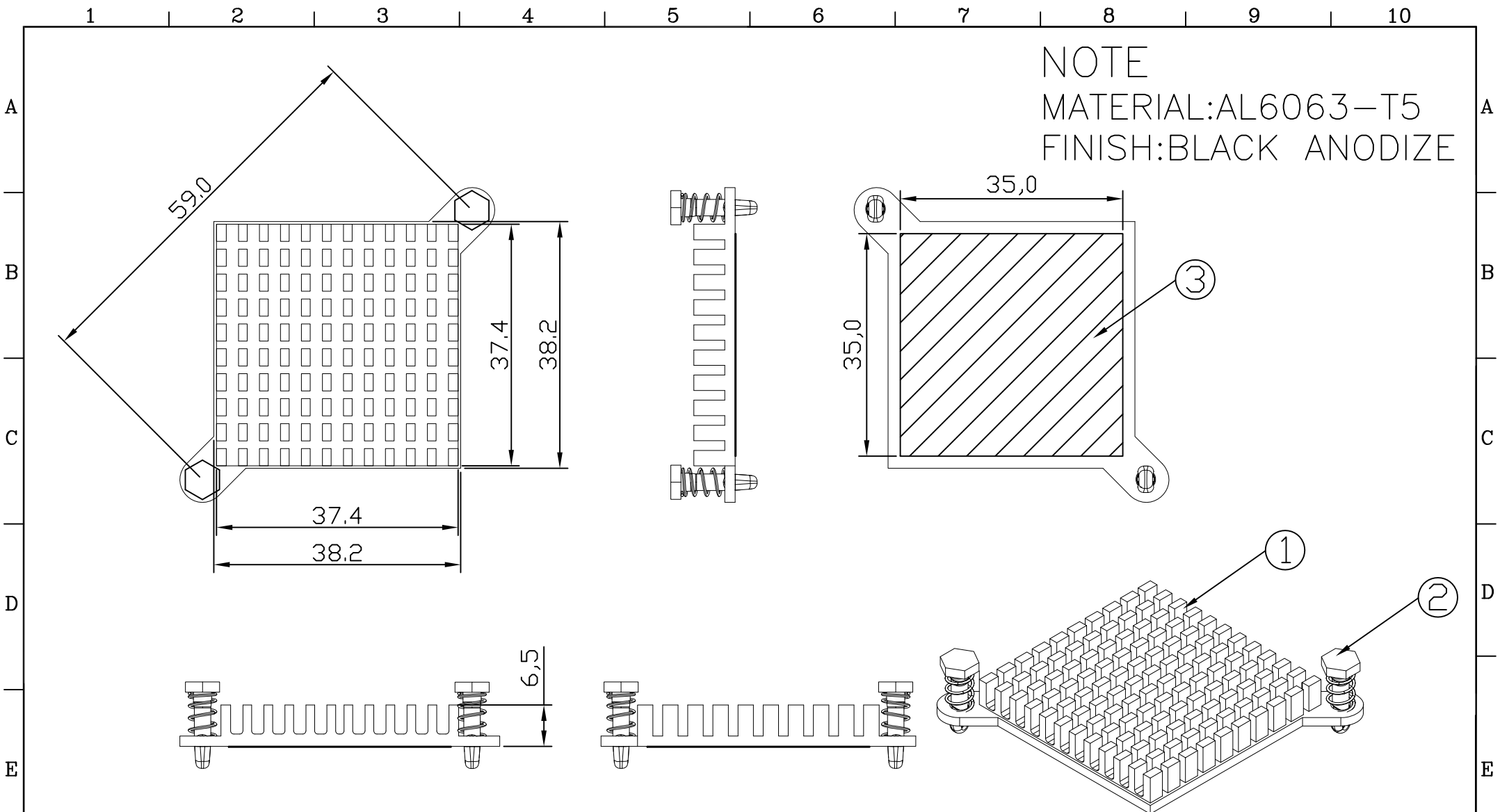
PROPRIETARY NOTE:
 This document contains confidential information and proprietary to Rego Electronics and shall not be reproduced or disclosed to other documents or used for any purpose other than that for which was obtained without the expressed written consent of Rego Electronics.

.X ± 0.30	APPROVED: Chris
.XX ± 0.20	CHECKED: Levi
.XXX ± 0.15	DRAWN: Vic
X* ± 3'	

TITLE: Heat Sink Assembly
 38.0 x 36.0 x 6.5mm
 PART NO: ALE3836-07111+T725
 SHEET: 1 OF 1

A	05.11.2012
REV	DATE


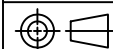
1 2 3 4 5 6 7 8 9 10



ITEM	DESCRIPTION	FINISH	Q'TY
1	HEAT SINK/AL6063-T5	BLACK ANODIZE	1
2	PUSH PIN	BLACK	2
3	GAP FILLER/T725	PINK	1

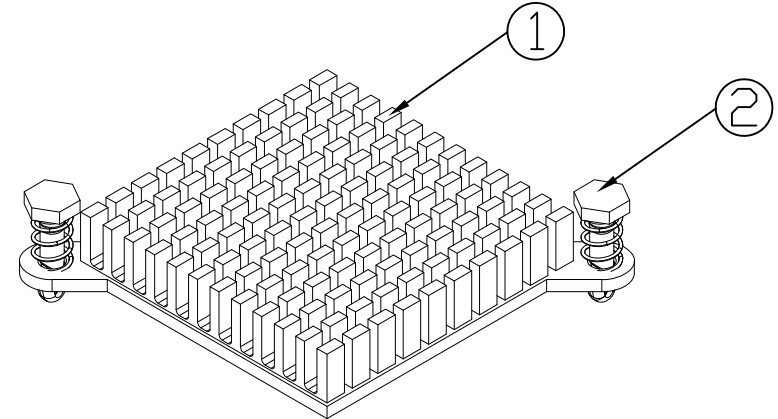
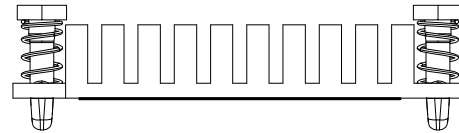
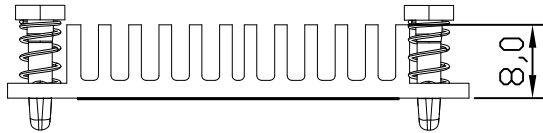
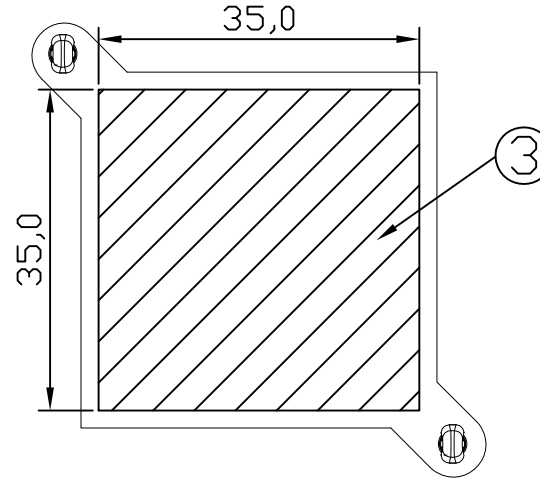
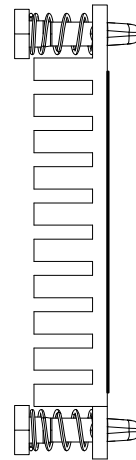
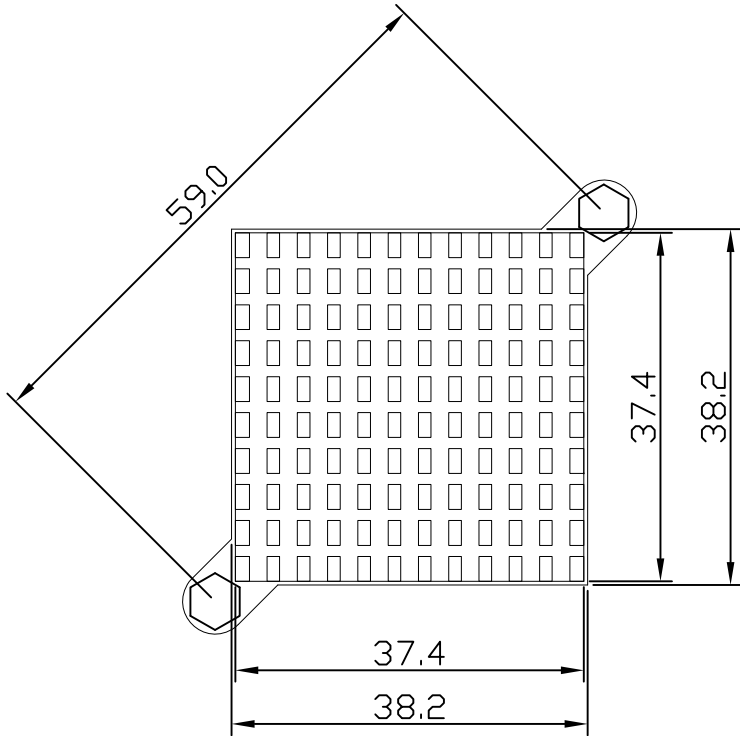
PROPRIETARY NOTE:

This document contains confidential information and proprietary to Rego Electronics and shall not be reproduced or disclosed to other documents or used for any purpose other than that for which was obtained without the expressed written consent of Rego Electronics.

.X ± 0.30	APPROVED: Chris	 http://www.rego.com.tw
.XX ± 0.20	CHECKED: Levi	
.XXX ± 0.15	DRAWN: Vic	
X* ± 3'		
 UNITS: mm SCALE: NONE	TITLE: Heat Sink Assembly 38.2 x 38.2 x 6.5mm PART NO: ALE3838-07111+T725 SHEET: 1 OF 1	

A	16.12.2011
REV	DATE

NOTE
 MATERIAL:AL6063-T5
 FINISH:BLACK ANODIZE



ITEM	DESCRIPTION	FINISH	Q'TY
1	HEAT SINK/AL6063-T5	BLACK ANODIZE	1
2	PUSH PIN	BLACK	2
3	GAP FILLER/T725	PINK	1

PROPRIETARY NOTE:
 This document contains confidential information and proprietary to Rego Electronics and shall not be reproduced or disclosed to other documents or used for any purpose other than that for which was obtained without the expressed written consent of Rego Electronics.

.X ± 0.30	APPROVED: Chris
.XX ± 0.20	CHECKED: Levi
.XXX ± 0.15	DRAWN: Vic
X* ± 3'	UNITS: mm
	SCALE: NONE

<http://www.rego.com.tw>

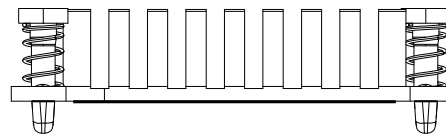
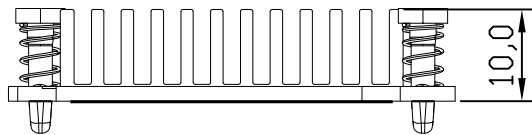
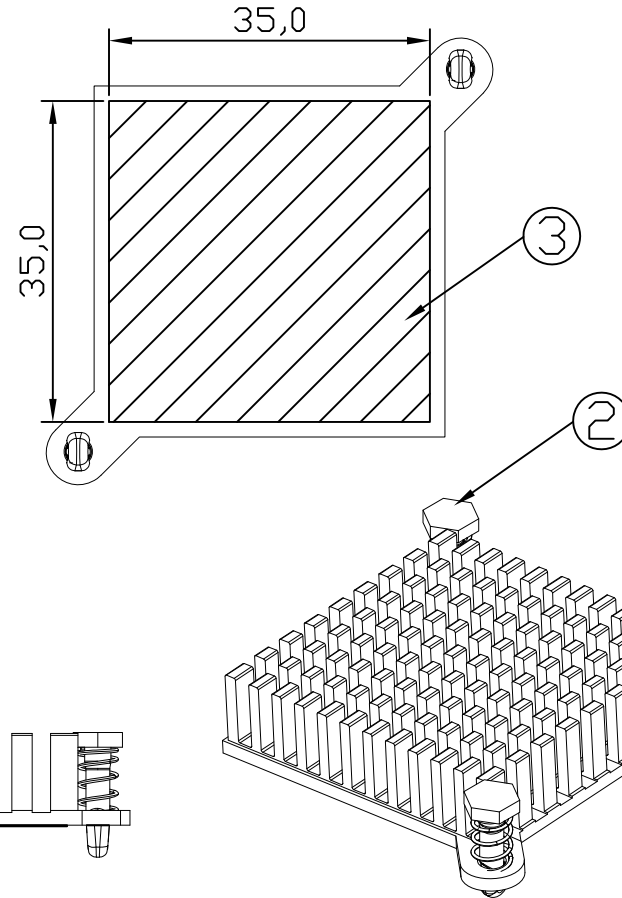
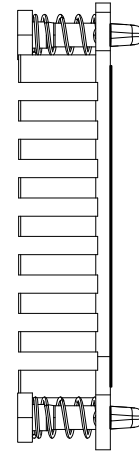
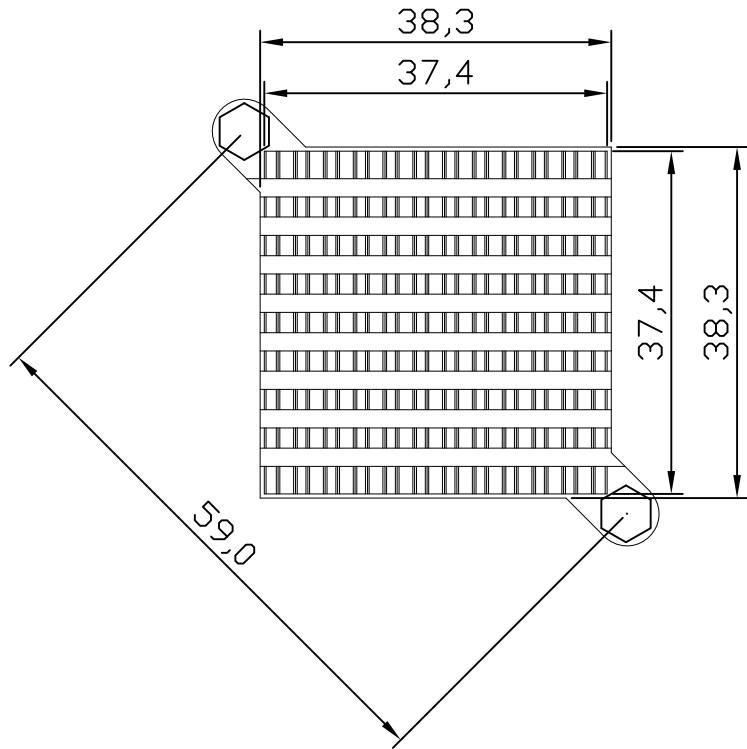
TITLE: Heat Sink Assembly
 38.2 x 38.2 x 8.0mm

PART NO: ALE3838-08111+T725

SHEET: 1 OF 1


A	23.8.2012
REV	DATE

NOTE
 MATERIAL:AL6063-T5
 FINISH:BLACK ANODIZE



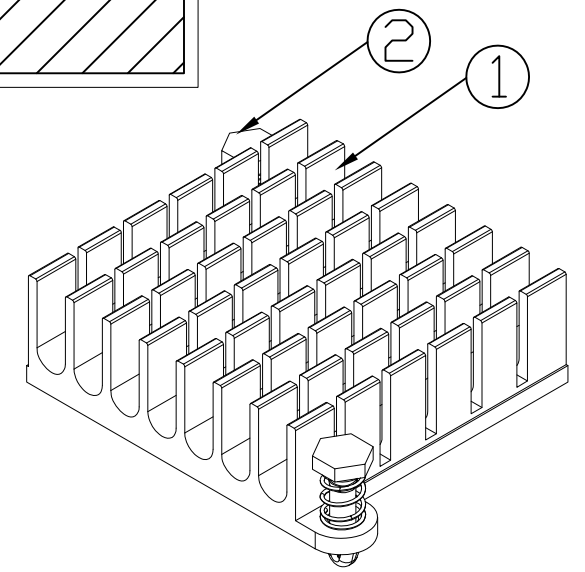
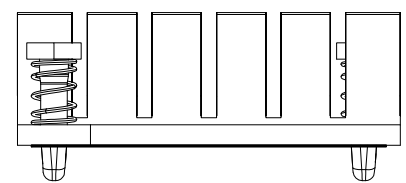
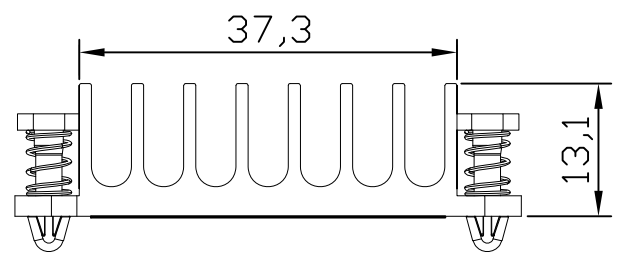
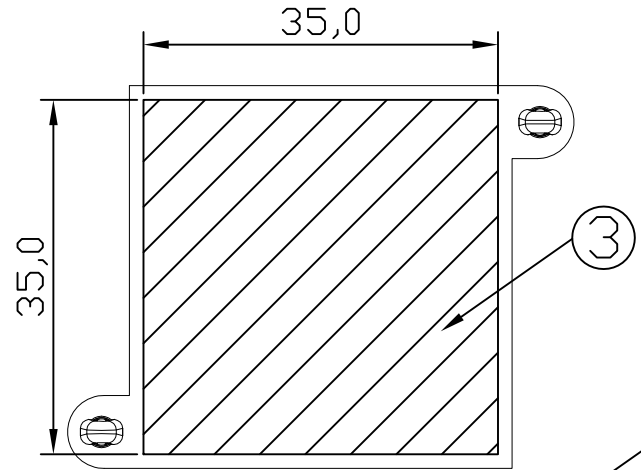
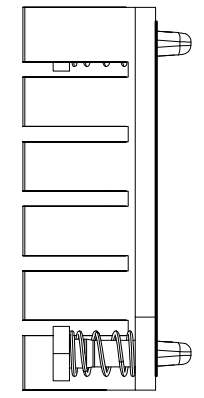
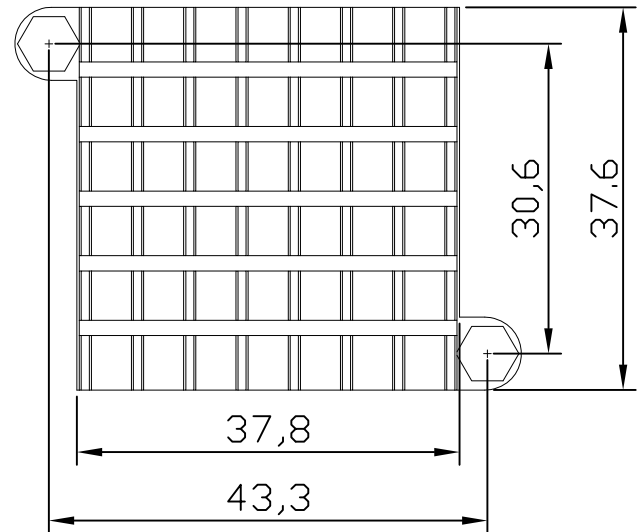
ITEM	DESCRIPTION	FINISH	Q'TY
1	HEAT SINK/AL6063-T5	BLACK ANODIZE	1
2	PUSH PIN	BLACK	2
3	GAP FILLER/T725	PINK	1

PROPRIETARY NOTE:
 This document contains confidential information and proprietary to Rego Electronics and shall not be reproduced or disclosed to other documents or used for any purpose other than that for which was obtained without the expressed written consent of Rego Electronics.


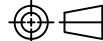
.X ± 0.30	APPROVED: Chris	 http://www.rego.com.tw
.XX ± 0.20	CHECKED: Levi	
.XXX ± 0.15	DRAWN: Vic	
X° ± 3'		
UNITS: mm	SCALE: NONE	TITLE: Heat Sink Assembly 38.3 x 38.3 x 10.0mm
SHEET: 1 OF 1		PART NO: ALE3838-10111+T725

A	17.11.2011
REV	DATE

NOTE
 MATERIAL:AL6063-T5
 FINISH:CLEANING

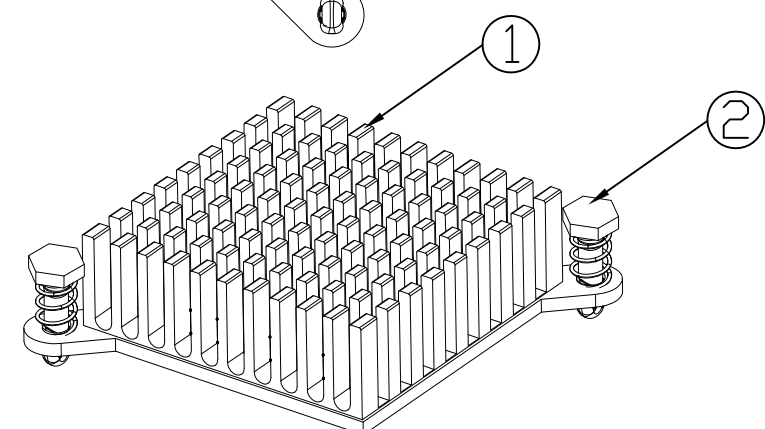
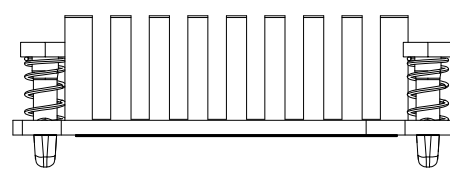
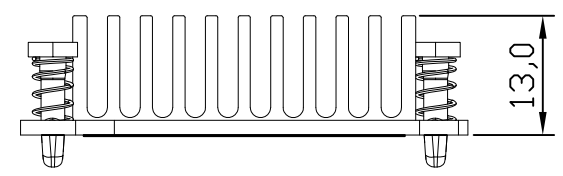
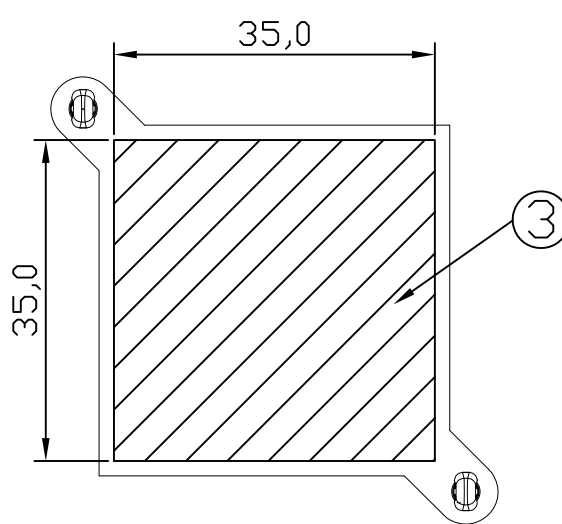
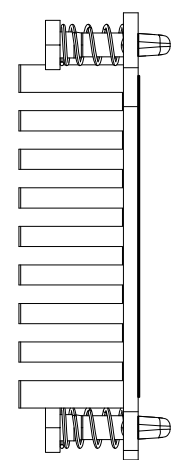
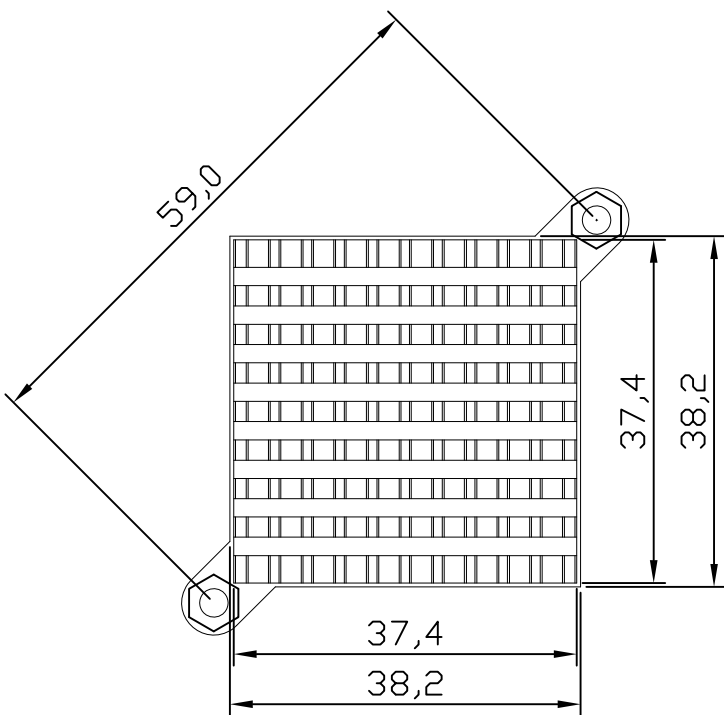


ITEM	DESCRIPTION	FINISH	Q'TY
1	HEAT SINK/AL6063-T5	CLEANING	1
2	PUSH PIN	BLACK	2
3	GAP FILLER/T725	PINK	1

PROPRIETARY NOTE: This document contains confidential information and proprietary to Rego Electronics and shall not be reproduced or disclosed to other documents or used for any purpose other than that for which was obtained without the expressed written consent of Rego Electronics.			
.X ± 0.30	APPROVED: Chris	 http://www.rego.com.tw TITLE: Heat Sink Assembly 37.8 x 37.6 x 13.1mm PART NO: ALE3838-13111+T725 SHEET: 1 of 1	
.XX ± 0.20	CHECKED: Levi		
.XXX ± 0.15	DRAWN: Vic		
X° ± 3°			
	UNITS: mm	SCALE: NONE	

A	07.7.2012
REV	DATE

NOTE
 MATERIAL:AL6063-T5
 FINISH:BLACK ANODIZE



ITEM	DESCRIPTION	FINISH	Q'TY
1	HEAT SINK/AL6063-T5	BLACK ANODIZE	1
2	PUSH PIN	BLACK	2
3	GAP FILLER/T725	PINK	1

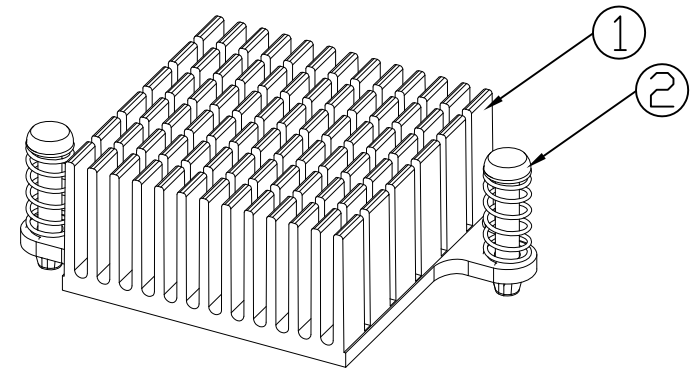
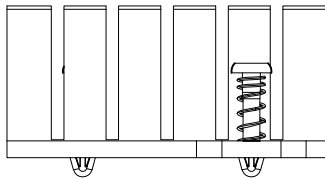
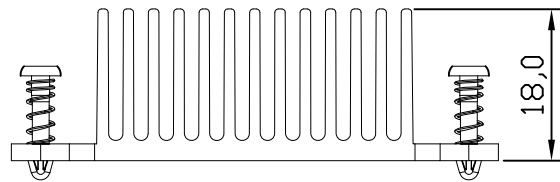
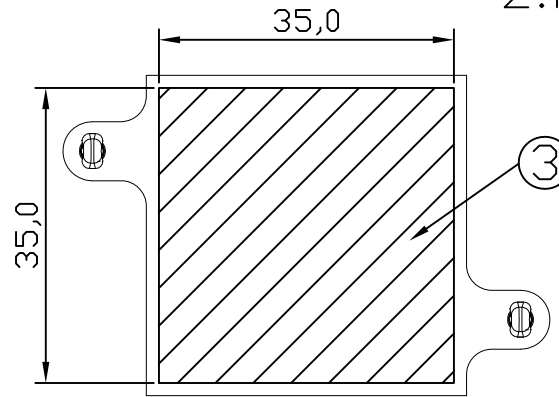
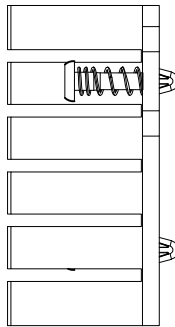
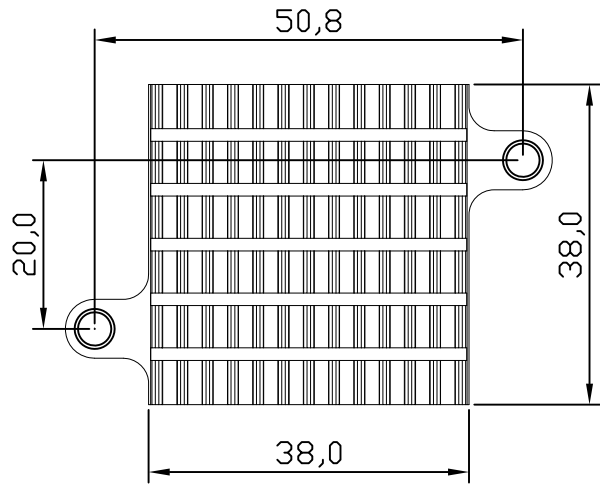
PROPRIETARY NOTE:
 This document contains confidential information and proprietary to Rego Electronics and shall not be reproduced or disclosed to other documents or used for any purpose other than that for which was obtained without the expressed written consent of Rego Electronics.

.X ± 0.30	APPROVED: Chris
.XX ± 0.20	CHECKED: Levi
.XXX ± 0.15	DRAWN: Vic
X* ± 3'	
UNITS: mm	SCALE: NONE

TITLE: Heat Sink Assembly
 38.2 x 38.2 x 13.0mm
 PART NO: ALE3838-13111A+T725
 SHEET: 1 OF 1

A	19.12.2011
REV	DATE

NOTE
 MATERIAL:AL6063-T5
 FINISH:
 1.SAND BLAST
 (EXCEPT FOR BOTTOM SIDE)
 2.NATURAL ANODIZE



ITEM	DESCRIPTION	FINISH	Q'TY
1	HEAT SINK/AL6063-T5	1.SAND BLAST (EXCEPT FOR BOTTOM SIDE) 2.NATURAL ANODIZE	1
2	PUSH PIN	BLACK	2
3	GAP FILLER/T725	PINK	1

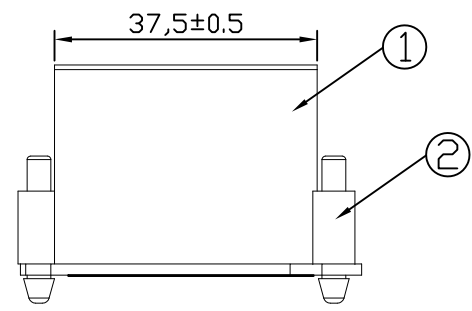
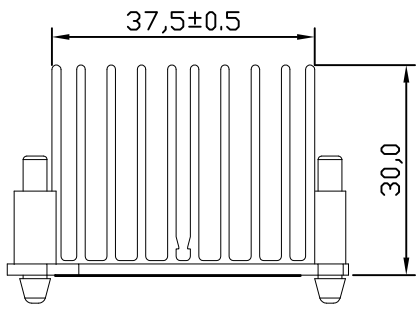
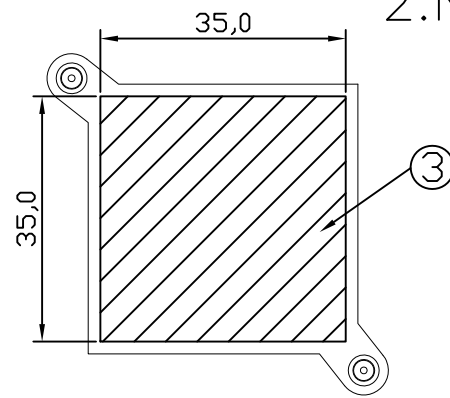
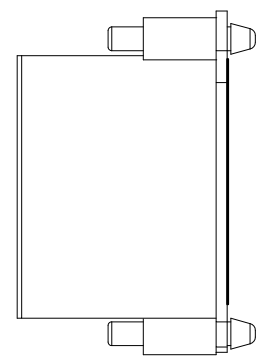
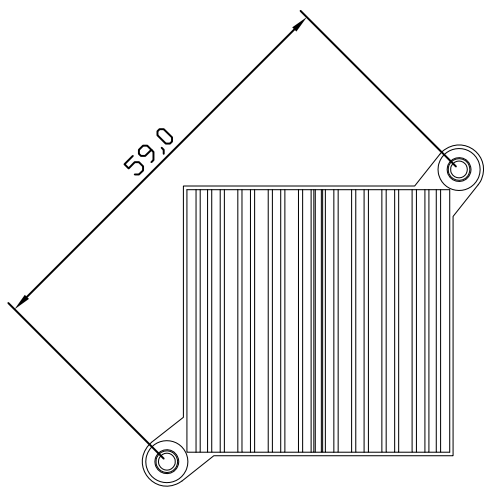
PROPRIETARY NOTE: This document contains confidential information and proprietary to Rego Electronics and shall not be reproduced or disclosed to other documents or used for any purpose other than that for which was obtained without the expressed written consent of Rego Electronics.	
.X ± 0.30	APPROVED: Chris
.XX ± 0.20	CHECKED: Levi
.XXX ± 0.15	DRAWN: Vic
X* ± 3'	
UNITS: mm	SCALE: NONE
TITLE: Heat Sink Assembly 38.0 x 38.0 x 18.0mm	
PART NO: ALE3838-18111+T725	
SHEET: 1 OF 1	

A	04.5.2017
REV	DATE

1 2 3 4 5 6 7 8 9 10

A
B
C
D
E
F

NOTE
 MATERIAL:AL6063-T5
 FINISH:
 1.SAND BLAST
 (EXCEPT FOR BOTTOM SIDE)
 2.NATURAL ANODIZE



ITEM	DESCRIPTION	FINISH	Q'TY
1	HEAT SINK/AL6063-T5	1.SAND BLAST (EXCEPT FOR BOTTOM SIDE) 2.NATURAL ANODIZE	1
2	PUSH PIN	BLACK	2
3	GAP FILLER/T725	PINK	1

PROPRIETARY NOTE:
 This document contains confidential information and proprietary to Rego Electronics and shall not be reproduced or disclosed to other documents or used for any purpose other than that for which was obtained without the expressed written consent of Rego Electronics.

.X ± 0.30
 .XX ± 0.20
 .XXX ± 0.15
 X° ± 3'

APPROVED: Chris
 CHECKED: Levi
 DRAWN: Vic



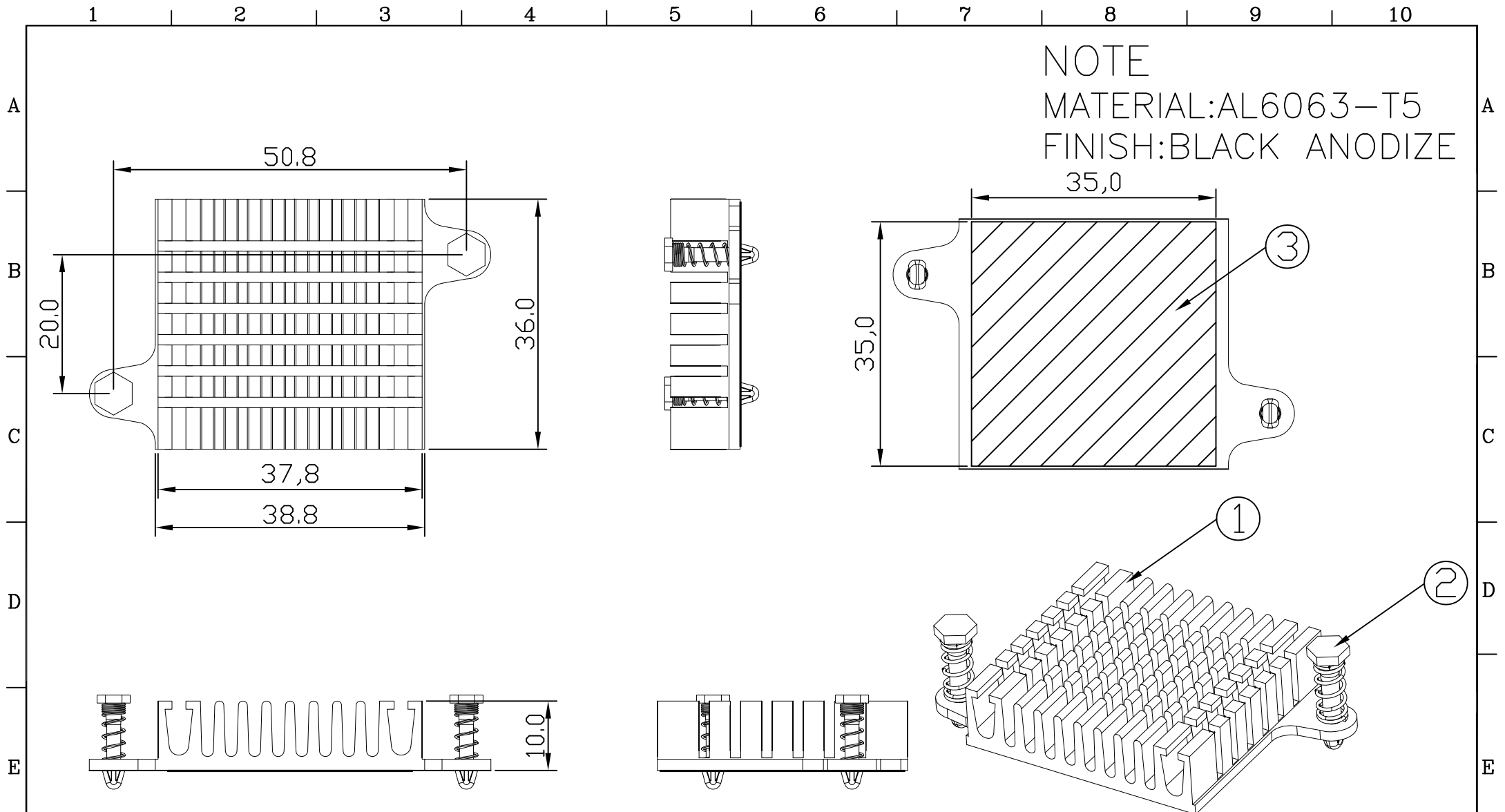
TITLE: Heat Sink Assembly
 37.5 x 37.5 x 30.0mm

UNITS: mm
 SCALE: NONE

PART NO: ALE3838-30111+T725
 SHEET: 1 OF 1

A	21.8.2014
REV	DATE

1 2 3 4 5 6 7 8 9 10




NOTE
 MATERIAL:AL6063-T5
 FINISH:BLACK ANODIZE

ITEM	DESCRIPTION	FINISH	Q'TY
1	HEAT SINK/AL6063-T5	BLACK ANODIZE	1
2	PUSH PIN	BLACK	2
3	GAP FILLER/T725	PINK	1

PROPRIETARY NOTE:
 This document contains confidential information and proprietary to Rego Electronics and shall not be reproduced or disclosed to other documents or used for any purpose other than that for which was obtained without the expressed written consent of Rego Electronics.

.X ± 0.30	APPROVED: Chris
.XX ± 0.20	CHECKED: Levi
.XXX ± 0.15	DRAWN: Vic
X* ± 3'	

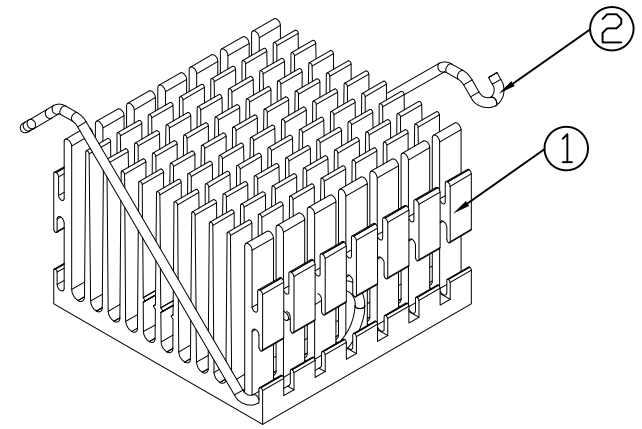
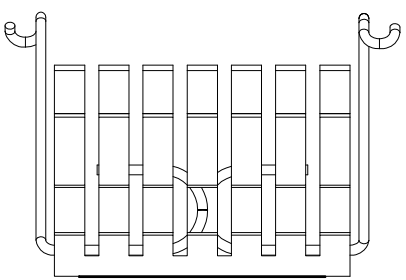
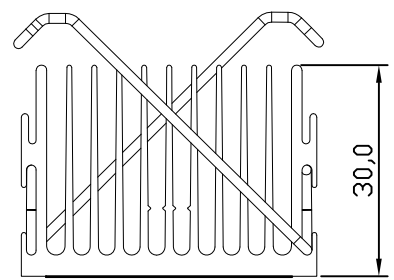
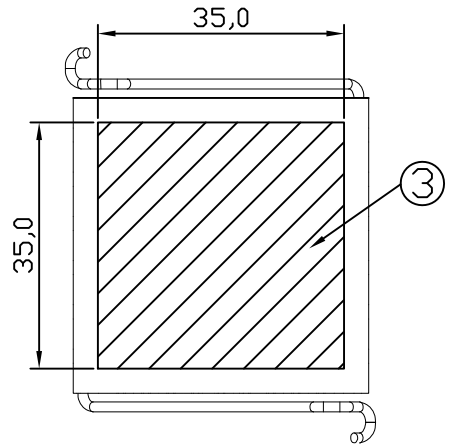
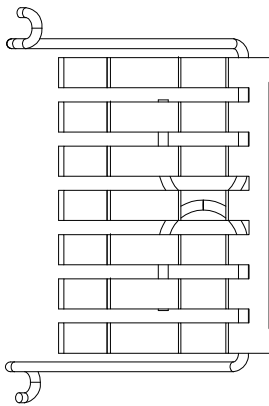
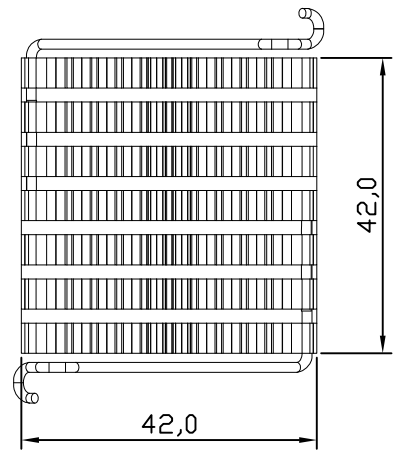

<http://www.rego.com.tw>
 TITLE: Heat Sink Assembly
 38.8 x 36.0 x 10.0mm
 PART NO: ALE3936-10111+T725
 SHEET: 1 OF 1

A	01.11.2013
REV	DATE

1 2 3 4 5 6 7 8 9 10

A
B
C
D
E
F

NOTE
MATERIAL:AL6063-T5
FINISH:NATURAL ANODIZE



ITEM	DESCRIPTION	FINISH	Q'TY
1	HEAT SINK/AL6063-T5	NATURAL ANODIZE	1
2	CLIP		2
3	GAP FILLER/T725	PINK	1

PROPRIETARY NOTE:
This document contains confidential information and proprietary to Rego Electronics and shall not be reproduced or disclosed to other documents or used for any purpose other than that for which was obtained without the expressed written consent of Rego Electronics.

.X ± 0.30	APPROVED: Chris
.XX ± 0.20	CHECKED: Levi
.XXX ± 0.15	DRAWN: Vic
X* ± 3'	UNITS: mm
	SCALE: NONE



TITLE: Heat Sink Assembly
42.0 x 42.0 x 30.0mm

PART NO: ALE4242-30117+T725

SHEET: 1 OF 1

A	05.12.2011
REV	DATE

1 2 3 4 5 6 7 8 9 10