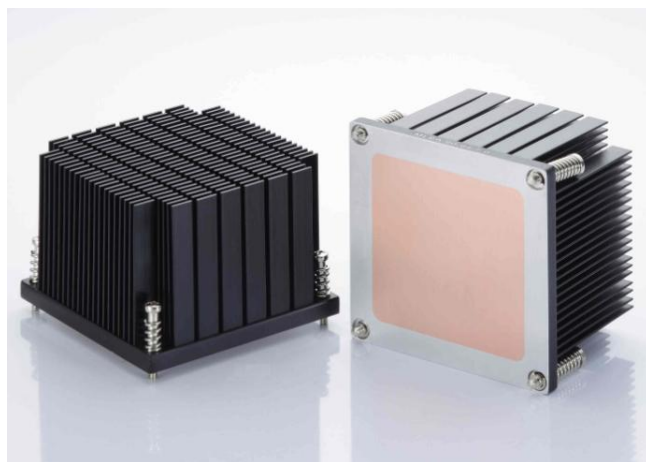
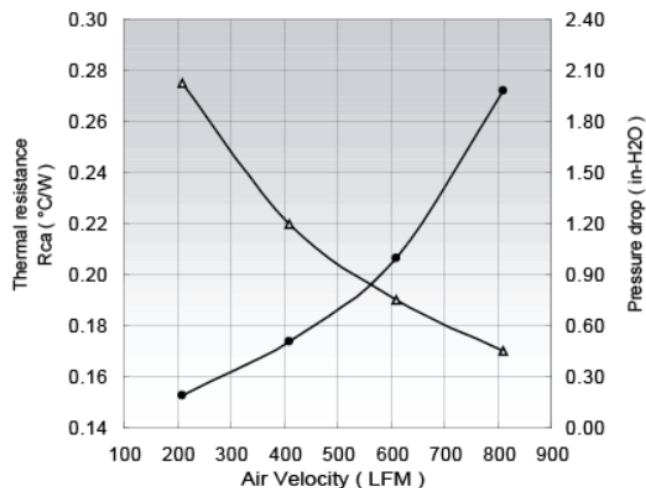


## CPU Cooler for Intel Socket LGA 2011 Series

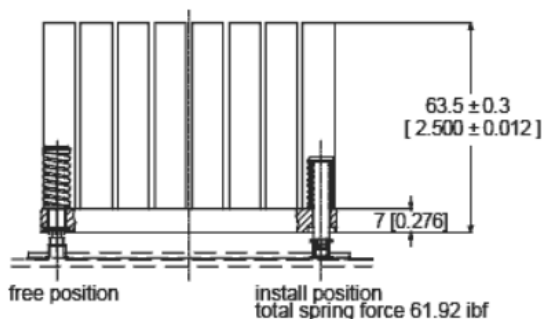
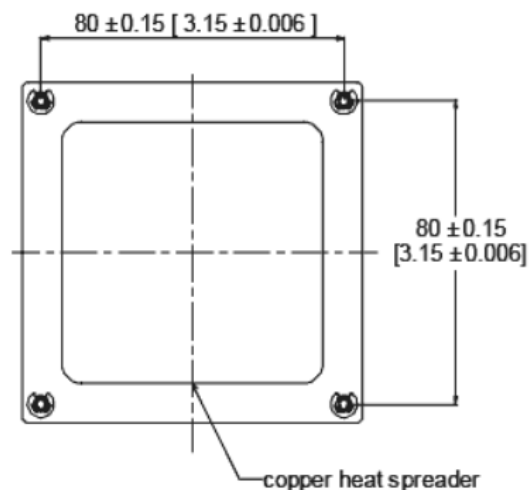
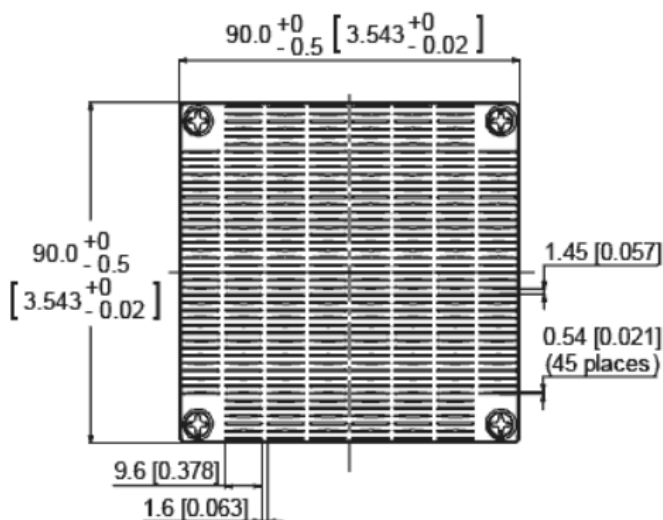


::Rth (°C/W)::



1. Material : Aluminum 6063 ,Copper embedded
2. Finish : Black anodize (optional)
3. All dimensions are in millimeter (mm) [inch].

## SPECIFICATION



**:: Attachment ::**

- Shoulder-Screw : steel , nickel plating
- Spring : SWP-B , nickel plating
- E-Retaining Ring : stainless steel

