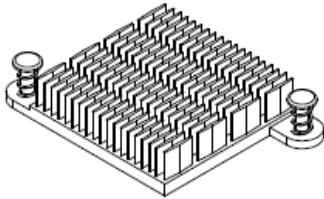
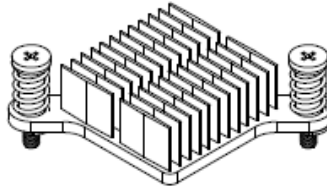


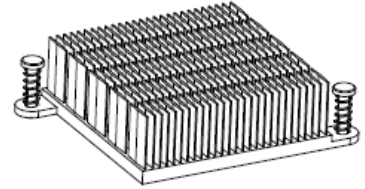
## FE Series Heat Sinks



FEEx003-xxxxBA-100T



FEEx003-xxxxBA-200T



FEEx003-xxxxBA-300T

1: Material : ALUMINUM  
 2: FINISH: BLACK ANODIZE

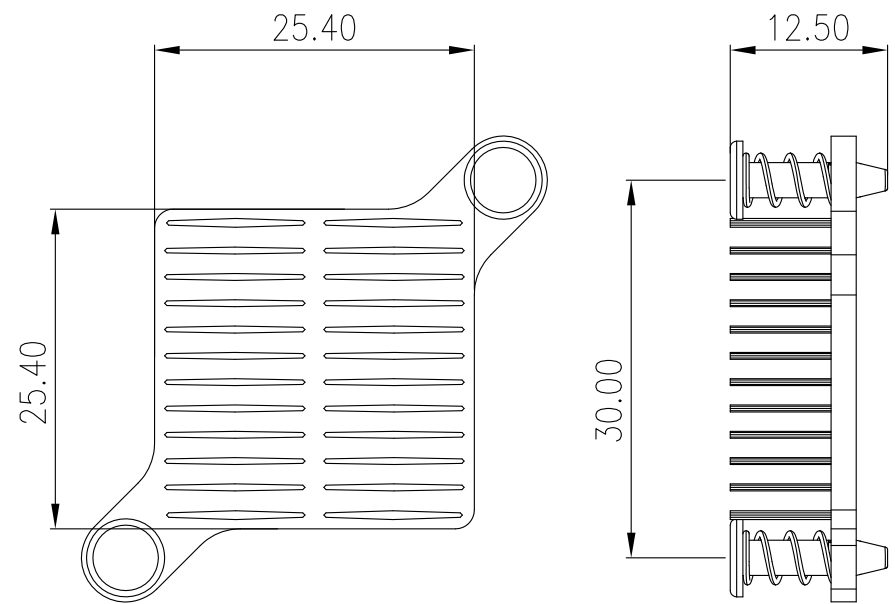
## SPECIFICATION

SERIES	L X W (mm)	H (mm)	Fin	Clip
FE25003-xx20BA-100T	25X25	6,8,10,15,20	ELLIPTIC	PUSH PIN
FE40003-xxxxBA-100T	40X40	6,8,10,15,20	ELLIPTIC	PUSH PIN
FE60003-xxxxBA-100T	60X60	6,8,10,15,20	ELLIPTIC	PUSH PIN
FE25003-xx20BA-200T	25X25	6,8,10,15,20	ELLIPTIC	SCREW & SPRING
FE40003-xxxxBA-200T	40X40	6,8,10,15,20	ELLIPTIC	SCREW & SPRING
FE60003-xxxxBA-200T	60X60	6,8,10,15,20	ELLIPTIC	SCREW & SPRING
FE25003-xx20BA-300T	25X25	6,8,10,15,20	ELLIPTIC	COPPER PUSH PIN
FE40003-xxxxBA-300T	40X40	6,8,10,15,20	ELLIPTIC	COPPER PUSH PIN
FE60003-xxxxBA-300T	60X60	6,8,10,15,20	ELLIPTIC	COPPER PUSH PIN

1 2 3 4 5 6 7 8 9 10

A

A



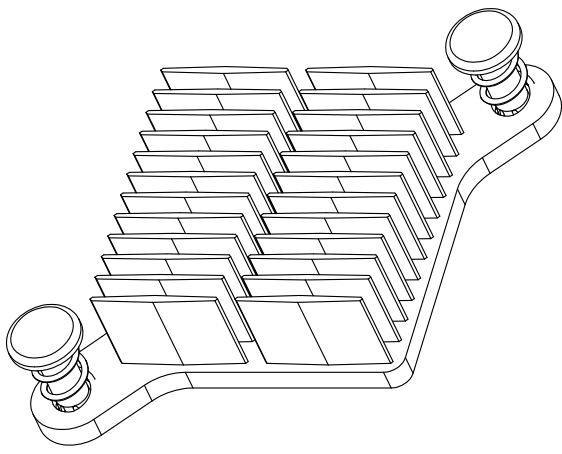
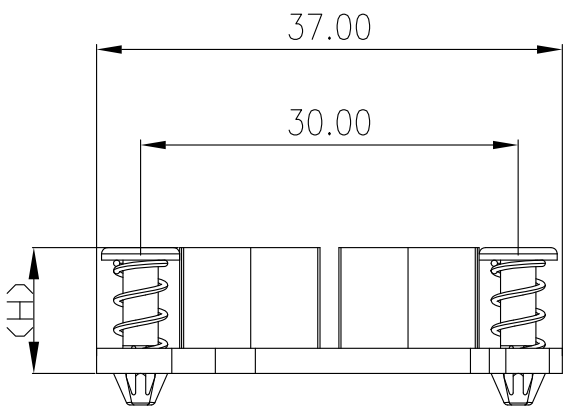
MODEL	HEIGHT(H)	PUSH PIN
FE25003-0620BA-100T	6	856-FE25003-20100 2 PLACES
FE25003-0820BA-100T	8	
FE25003-1020BA-100T	10	

B

B

C

C



D

D


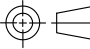
E

E

F

F

PROPRIETARY NOTE:  
This document contains confidential information and proprietary to Rego Electronics and shall not be reproduced or disclosed to other documents or used for any purpose other than that for which was obtained without the expressed written consent of Rego Electronics.

.X ± 0.30	APPROVED: Chris	 <a href="http://www.rego.com.tw">http://www.rego.com.tw</a>	
.XX ± 0.20	CHECKED: Denny		
.XXX ± 0.15	DRAWN: Vicky		
X° ± 3°			
	UNITS: mm	SCALE: NONE	TITLE: Heat Sink Assembly Aluminum 25x25xH(06-10)mm with Push Pins
			PART NO: FE25003-xx20BA-100T(6-10)
			SHEET: 1 OF 1

1 2 3 4 5 6 7 8 9 10

1 2 3 4 5 6 7 8 9 10

A

B

C

D

E

F

A

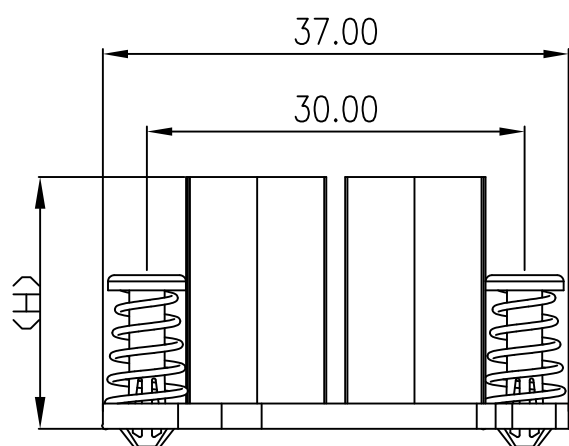
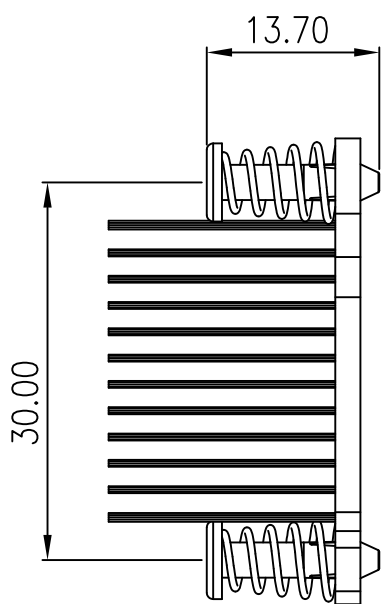
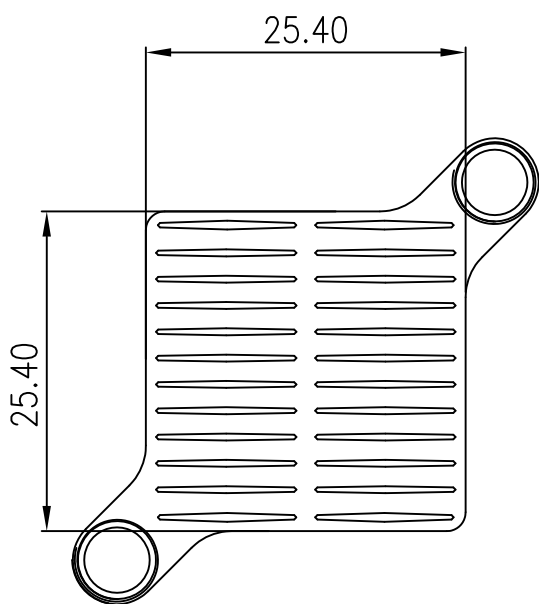
B

C

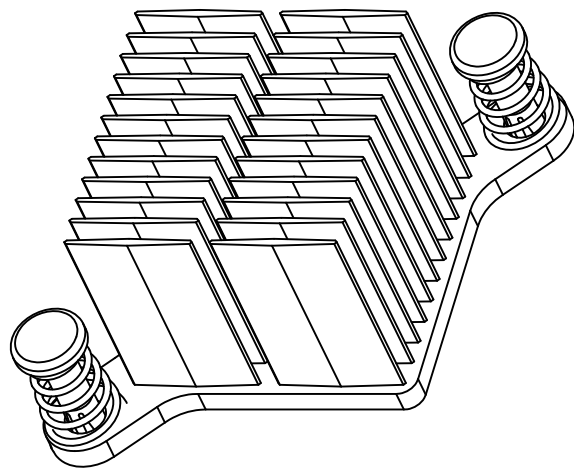
D

E


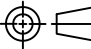
F



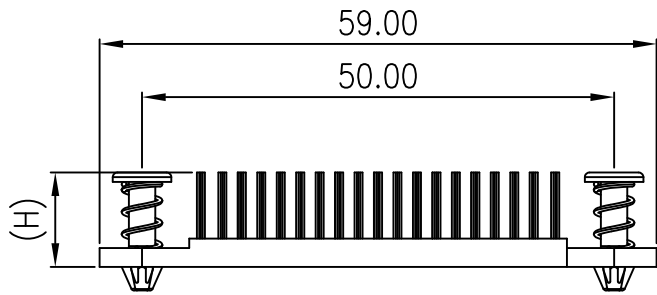
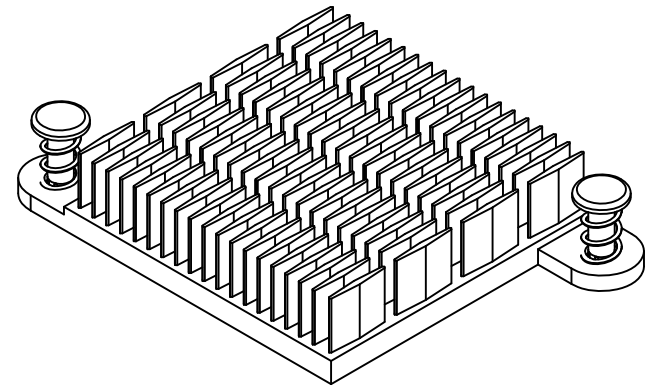
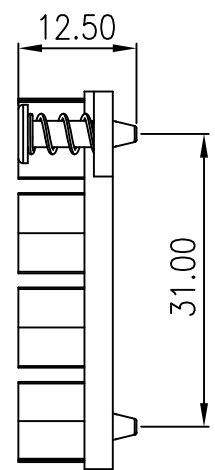
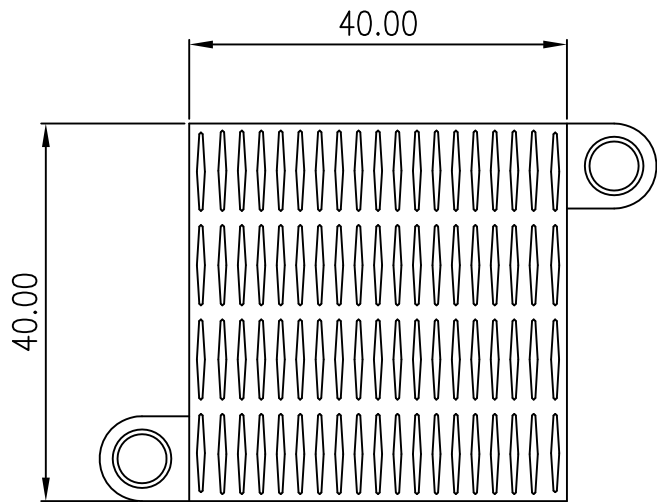
MODEL	HEIGHT(H)	PUSH PIN
FE25003-1520BA-100T	15	856-TMAPP002
FE25003-2020BA-100T	20	2 PLACES



PROPRIETARY NOTE:  
 This document contains confidential information and proprietary to Rego Electronics and shall not be reproduced or disclosed to other documents or used for any purpose other than that for which was obtained without the expressed written consent of Rego Electronics.


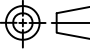
.X ± 0.30	APPROVED: Chris	 <a href="http://www.rego.com.tw">http://www.rego.com.tw</a>	
.XX ± 0.20	CHECKED: Andy		
.XXX ± 0.15	DRAWN: Vic		
X* ± 3'			
	UNITS: mm	SCALE: NONE	TITLE: Heat Sink Assembly Aluminum 25x25xH(15-20)mm with Push Pins PART NO: FE25003-xx20BA-100T(15-20) SHEET: 1 OF 1

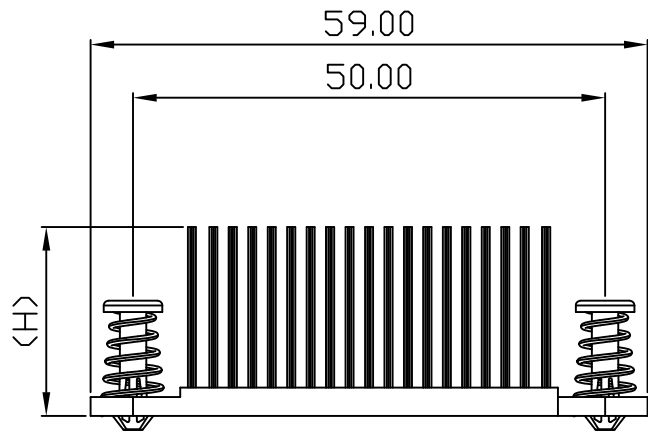
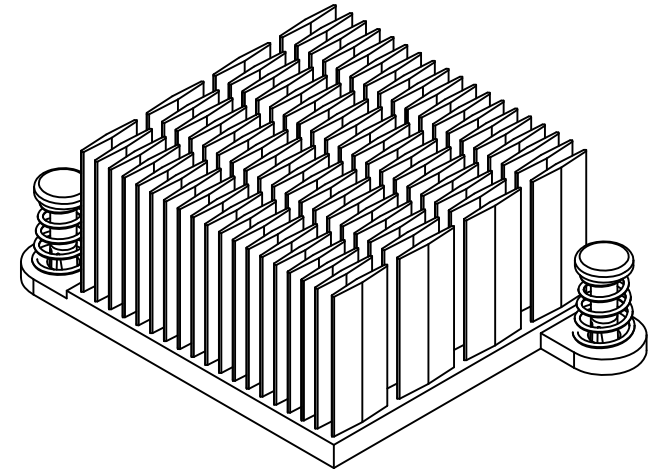
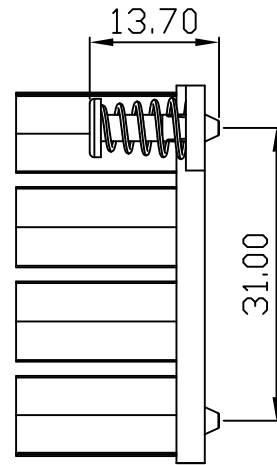
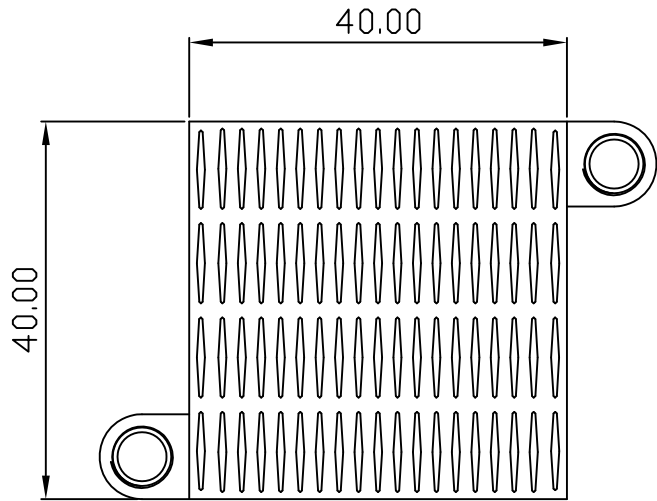
1 2 3 4 5 6 7 8 9 10



PART NO	HEIGHT(H)	HEAT SINK	Q'TY	PUSH PINS	Q'TY
FE40003-0620BA-100T	6	FE40003-0620BA-1	1	856-FE25003-20100	2
FE40003-0820BA-100T	8	FE40003-0820BA-1			
FE40003-1030BA-100T	10	FE40003-1030BA-1			

**PROPRIETARY NOTE:**  
 This document contains confidential information and proprietary to Rego Electronics and shall not be reproduced or disclosed to other documents or used for any purpose other than that for which was obtained without the expressed written consent of Rego Electronics.


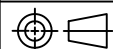
.X ± 0.30	APPROVED: Chris	 <a href="http://www.rego.com.tw">http://www.rego.com.tw</a> TITLE: Heat Sink Assembly Aluminum 40x40xH(06-10)mm with PUSH PINS	
.XX ± 0.20	CHECKED: Andy		
.XXX ± 0.15	DRAWN: Vic		
X* ± 3'			
	UNITS: mm	SCALE: NONE	PART NO: FE40003-xxxxBA-100T(6-10)
SHEET: 1 OF 1			



PART NO	HEIGHT(H)	HEAT SINK	Q'TY	PUSH PINS	Q'TY
FE40003-1530BA-100T	15	FE40003-1530BA-1	1	856-TMAPP002	2
FE40003-2030BA-100T	20	FE40003-2030BA-1			

**PROPRIETARY NOTE:**

This document contains confidential information and proprietary to Rego Electronics and shall not be reproduced or disclosed to other documents or used for any purpose other than that for which was obtained without the expressed written consent of Rego Electronics.

.X ± 0.30	APPROVED: Chris	 <a href="http://www.rego.com.tw">http://www.rego.com.tw</a>
.XX ± 0.20	CHECKED: Andy	
.XXX ± 0.15	DRAWN: Vic	
X* ± 3*		
	UNITS: mm	SCALE: NONE
	TITLE: Heat Sink Assembly Aluminum 40x40xH(15-20)mm with PUSH PINS PART NO: FE40003-xxxxBA-100T(15-20) SHEET: 1 OF 1	

1 2 3 4 5 6 7 8 9 10

A

B

C

D

E

F

A

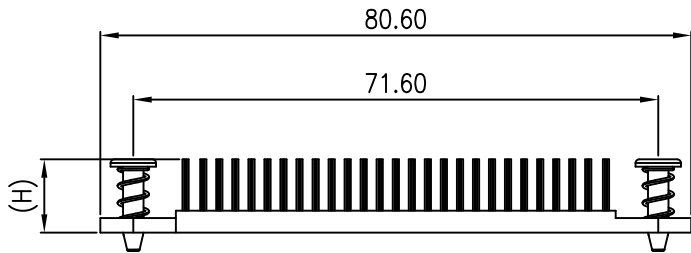
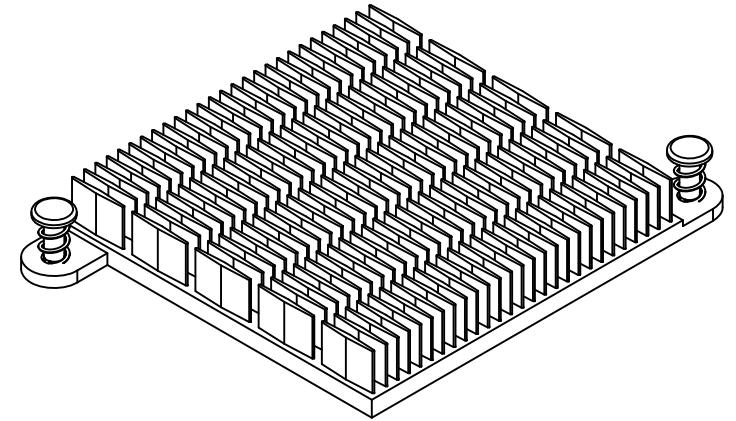
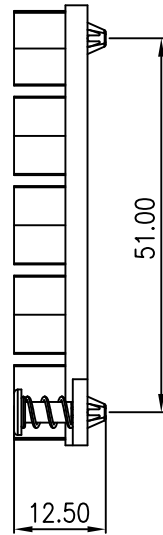
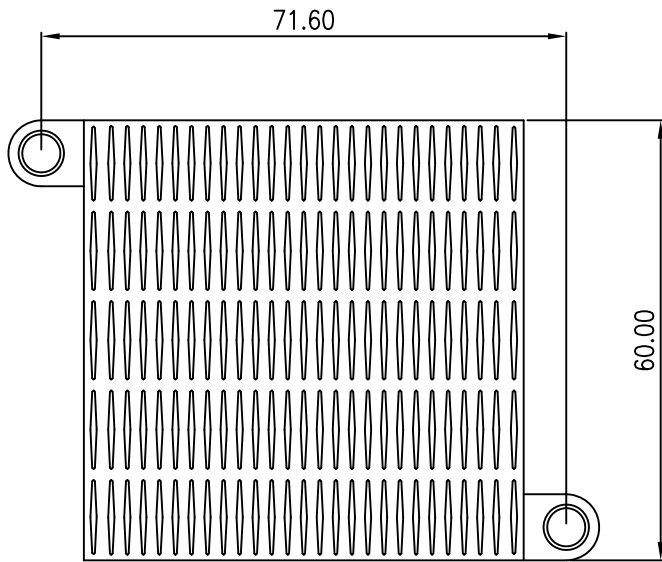
B

C

D

E


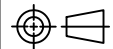
F



PART NO	HEIGHT(H)	HEAT SINK	Q'TY	PUSH PINS	Q'TY
FE60003-0630BA-100T	6	FE60003-0630BA-1	1	856-FE25003-20100	2
FE60003-0830BA-100T	8	FE60003-0830BA-1			
FE60003-1040BA-100T	10	FE60003-1040BA-1			

**PROPRIETARY NOTE:**

This document contains confidential information and proprietary to Rego Electronics and shall not be reproduced or disclosed to other documents or used for any purpose other than that for which was obtained without the expressed written consent of Rego Electronics.

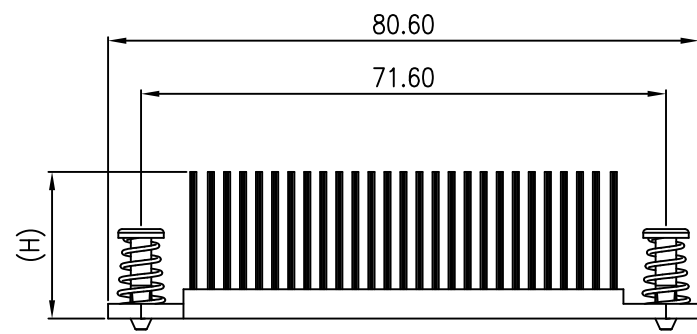
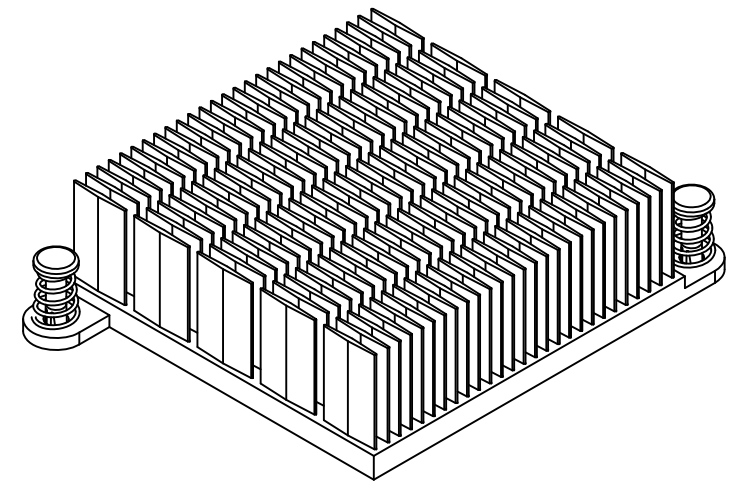
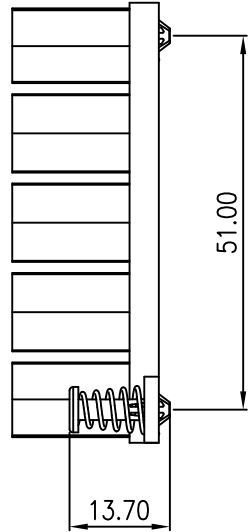
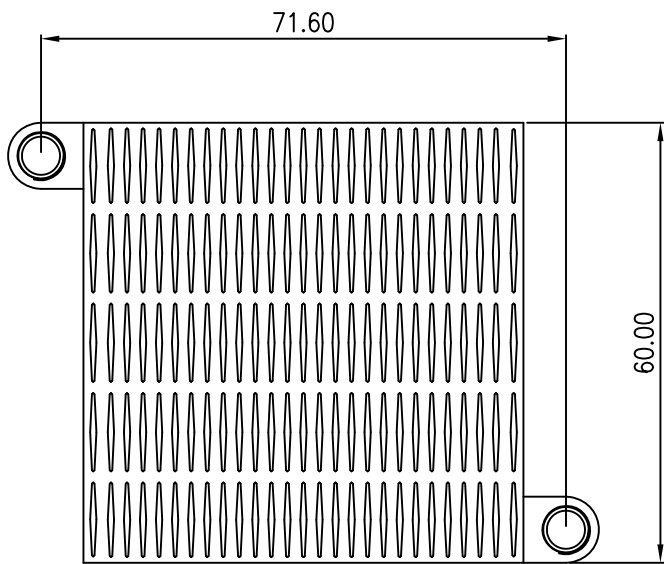
.X ± 0.80	APPROVED: Chris	 <a href="http://www.rego.com.tw">http://www.rego.com.tw</a>
.XX ± 0.50	CHECKED: Andy	
.XXX ± 0.30	DRAWN: Vic	
X° ± 3'		
	UNITS: mm	SCALE: NONE
		TITLE: Heat Sink Assembly Aluminum 60x60xH(06-10)mm with PUSH PINS
		PART NO: FE60003-xxxxBA-100T(6-10)
		SHEET: 1 of 1

1 2 3 4 5 6 7 8 9 10

1 2 3 4 5 6 7 8 9 10


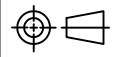
A  
B  
C  
D  
E  
F

A  
B  
C  
D  
E  
F

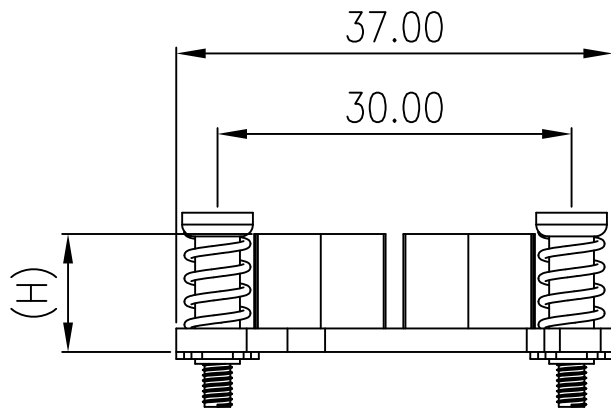
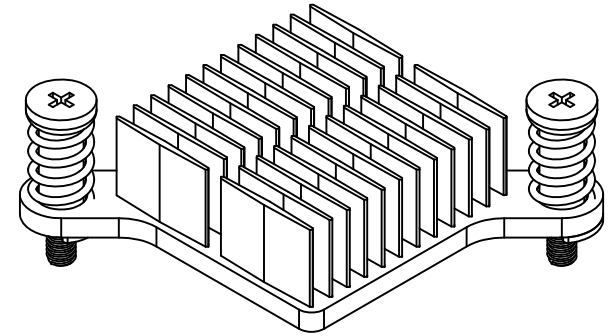
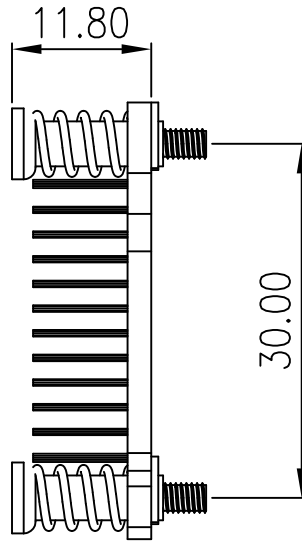
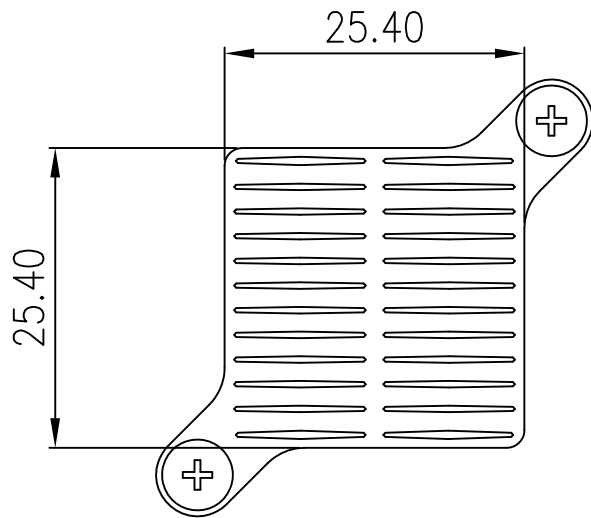


PART NO	HEIGHT(H)	HEAT SINK	Q'TY	PUSH PINS	Q'TY
FE60003-1540BA-100T	15	FE60003-1540BA-1	1	856-TMAPP002	2
FE60003-2040BA-100T	20	FE60003-2040BA-1			

**PROPRIETARY NOTE:**  
 This document contains confidential information and proprietary to Rego Electronics and shall not be reproduced or disclosed to other documents or used for any purpose other than that for which was obtained without the expressed written consent of Rego Electronics.


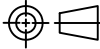
.X ± 0.80	APPROVED: Chris	 <a href="http://www.rego.com.tw">http://www.rego.com.tw</a>
.XX ± 0.50	CHECKED: Andy	
.XXX ± 0.30	DRAWN: Vic	
X° ± 3'		
	UNITS: mm	SCALE: NONE
		TITLE: Heat Sink Assembly Aluminum 60x60xH(15-20)mm with PUSH PINS PART NO: FE60003-xxxBA-100T(15-20) SHEET: 1 of 1

1 2 3 4 5 6 7 8 9 10

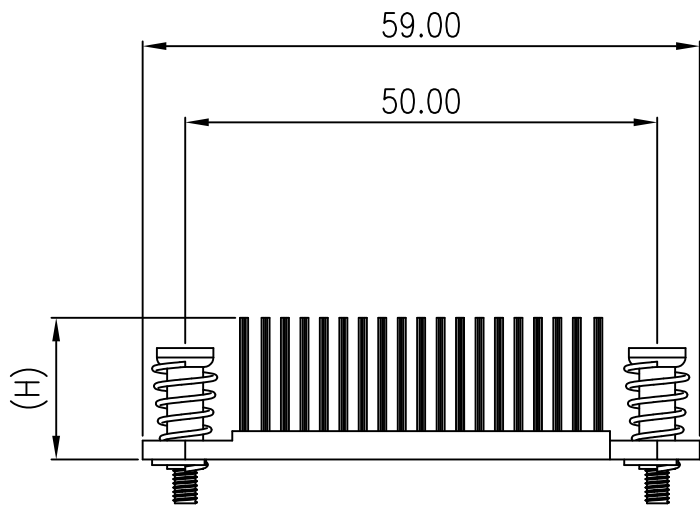
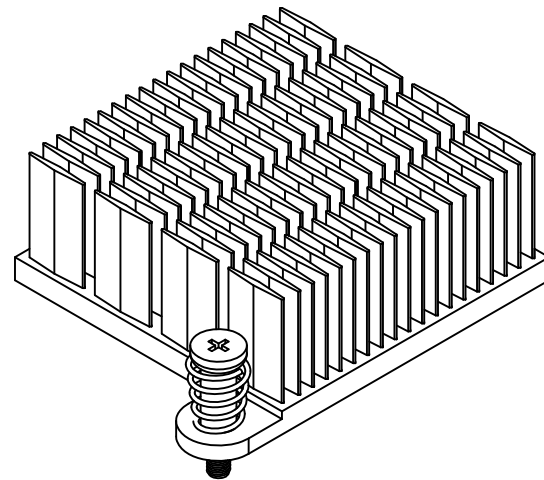
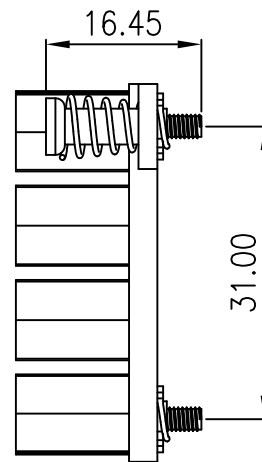
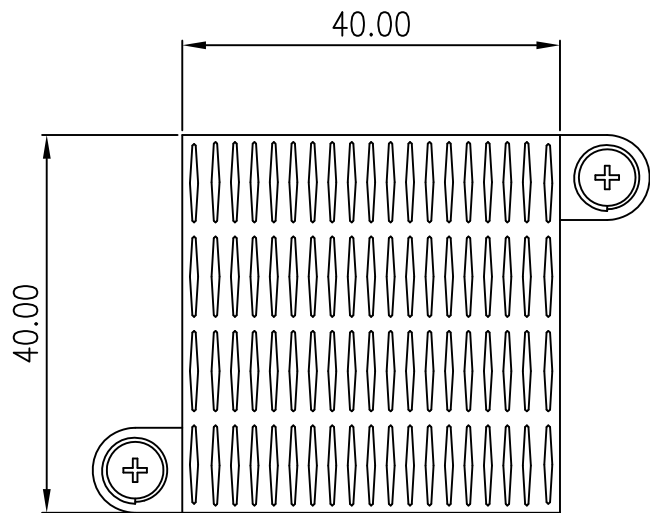


PART NO	HEIGHT(H)	HEAT SINK	Q'TY	SCREW SPRING	Q'TY
FE25003-0620BA-200T	6	FE25003-0620BA-2	1	769-SSE0001	2
FE25003-0820BA-200T	8	FE25003-0820BA-2			
FE25003-1020BA-200T	10	FE25003-1020BA-2			
FE25003-1520BA-200T	15	FE25003-1520BA-2			
FE25003-2020BA-200T	20	FE25003-2020BA-2			

**PROPRIETARY NOTE:**  
 This document contains confidential information and proprietary to Rego Electronics and shall not be reproduced or disclosed to other documents or used for any purpose other than that for which was obtained without the expressed written consent of Rego Electronics.

.X ± 0.30	APPROVED: Chris	 <a href="http://www.rego.com.tw">http://www.rego.com.tw</a> TITLE: Heat Sink Assembly Aluminum 25x25xH(06-20)mm with SCREW	
.XX ± 0.20	CHECKED: Andy		
.XXX ± 0.15	DRAWN: vic		
X* ± 3'			
	UNITS: mm	SCALE: NONE	PART NO: FE25003-xxxxBA-200T
SHEET: 1 OF 1			


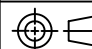


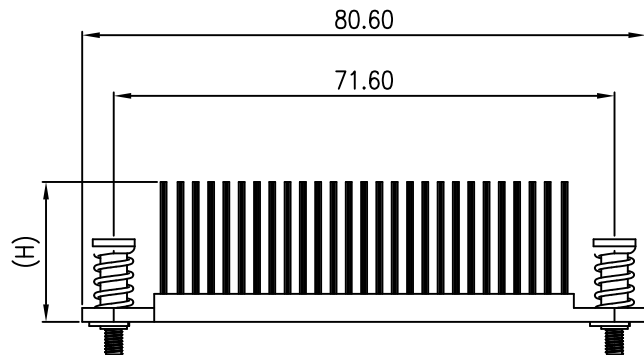
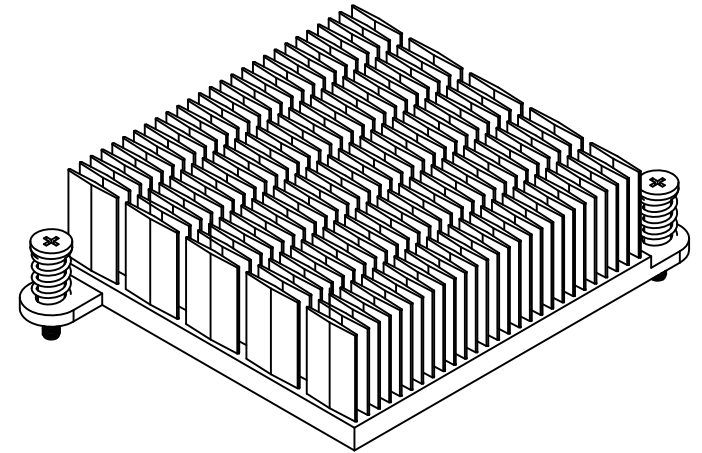
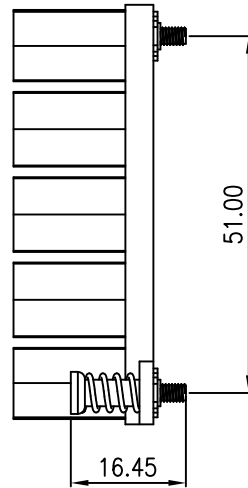
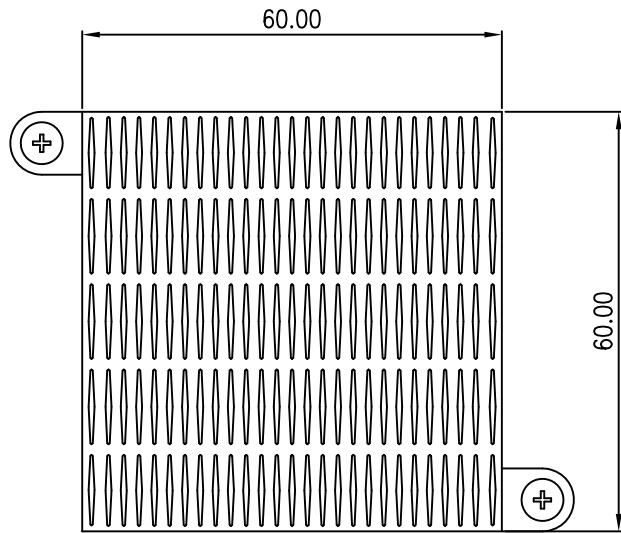


PART NO	HEIGHT(H)	HEAT SINK	Q'TY	SCREW	SPRING	Q'TY
FE40003-0620BA-200T	6	FE40003-0620BA-2	1	769-SSE0001		2
FE40003-0820BA-200T	8	FE40003-0820BA-2				
FE40003-1030BA-200T	10	FE40003-1030BA-2				
FE40003-1530BA-200T	15	FE40003-1530BA-2				
FE40003-2030BA-200T	20	FE40003-2030BA-2				

PROPRIETARY NOTE:


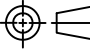
This document contains confidential information and proprietary to Rego Electronics and shall not be reproduced or disclosed to other documents or used for any purpose other than that for which was obtained without the expressed written consent of Rego Electronics.

.X ± 0.30	APPROVED: Chris	 <a href="http://www.rego.com.tw">http://www.rego.com.tw</a>	
.XX ± 0.20	CHECKED: Andy		
.XXX ± 0.15	DRAWN: Vic		
X* ± 3'			
	UNITS: mm	SCALE: NONE	TITLE: Heat Sink Assembly Aluminum 40x40xH(06-20)mm with SCREW PART NO: FE40003-xxxxBA-200T SHEET: 1 OF 1



PART NO	HEIGHT(H)	HEAT SINK	Q'TY	SCREW	SPRING	Q'TY
FE60003-0630BA-200T	6	FE60003-0630BA-2	1	769-SSE0001	2	
FE60003-0830BA-200T	8	FE60003-0830BA-2				
FE60003-1040BA-200T	10	FE60003-1040BA-2				
FE60003-1540BA-200T	15	FE60003-1540BA-2				
FE60003-2040BA-200T	20	FE60003-2040BA-2				

**PROPRIETARY NOTE:**  
 This document contains confidential information and proprietary to Rego Electronics and shall not be reproduced or disclosed to other documents or used for any purpose other than that for which was obtained without the expressed written consent of Rego Electronics.

.X ± 0.30	APPROVED: Chris	 <a href="http://www.rego.com.tw">http://www.rego.com.tw</a>
.XX ± 0.20	CHECKED: Andy	
.XXX ± 0.15	DRAWN: Vic	
X* ± 3'		
	UNITS: mm	SCALE: NONE
TITLE: Heat Sink Assembly Aluminum 60x60xH(06-20)mm with SCREW		PART NO: FE60003-xxxxBA-200T
SHEET: 1 OF 1		

1 2 3 4 5 6 7 8 9 10

A

B

C

D

E

F

A

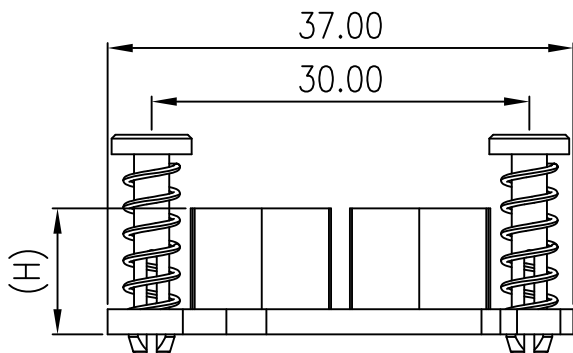
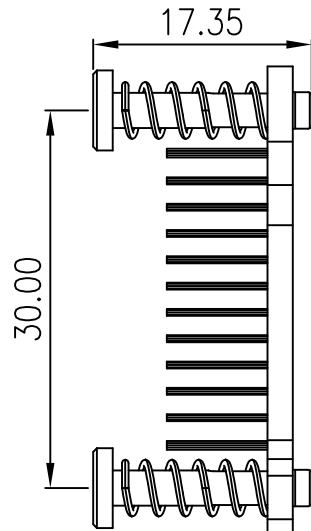
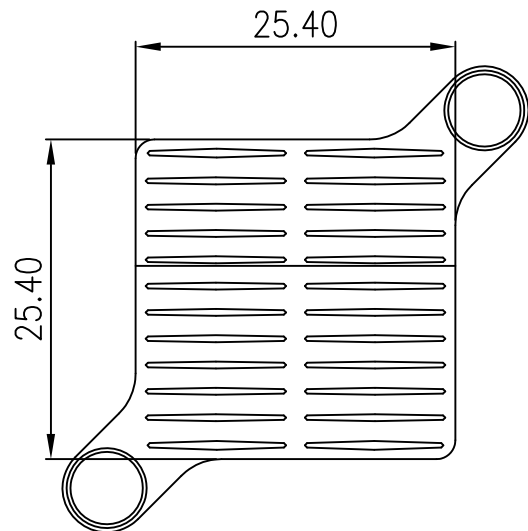
B

C

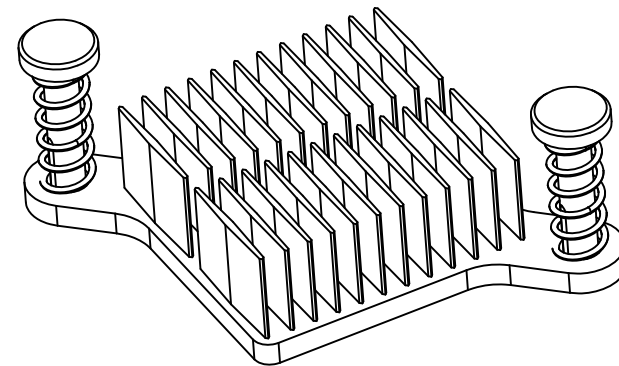
D

E

F


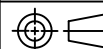


MODEL	HEIGHT(H)	PUSH PIN
FE25003-0620BA-300T	6	F049-000007 2 PLACES
FE25003-0820BA-300T	8	
FE25003-1020BA-300T	10	



PROPRIETARY NOTE:

This document contains confidential information and proprietary to Rego Electronics and shall not be reproduced or disclosed to other documents or used for any purpose other than that for which was obtained without the expressed written consent of Rego Electronics.

.X ± 0.30	APPROVED: Chris	 <a href="http://www.rego.com.tw">http://www.rego.com.tw</a>	
.XX ± 0.20	CHECKED: Andy		
.XXX ± 0.15	DRAWN: Vic		
X* ± 3'			
	UNITS: mm	SCALE: NONE	TITLE: Heat Sink Assembly Aluminum 25x25xH(06-10)mm with Push Pins PART NO: FE25003-xx20BA-300T(6-10)
SHEET: 1 OF 1			

1 2 3 4 5 6 7 8 9 10

1 2 3 4 5 6 7 8 9 10

A

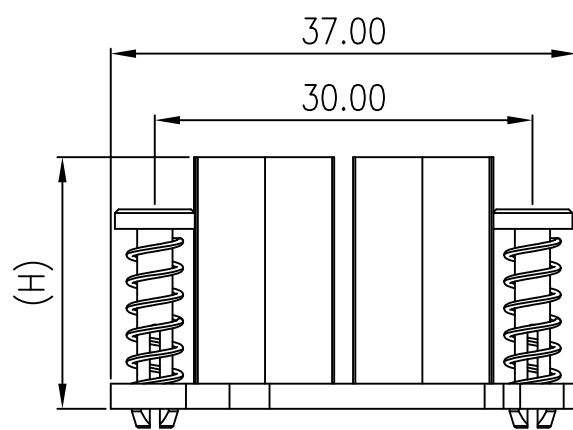
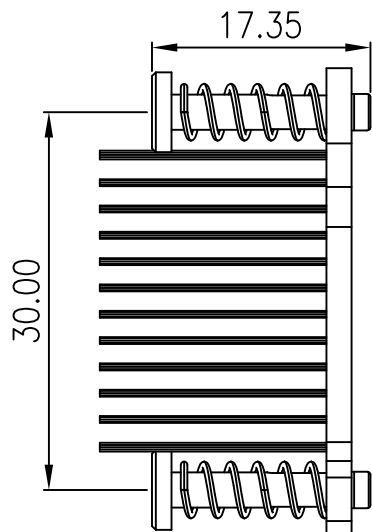
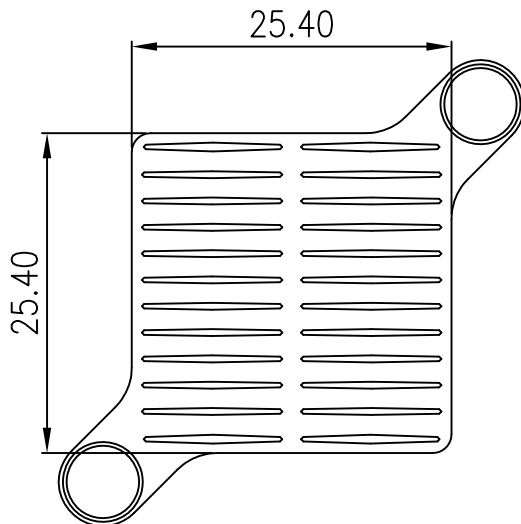
B

C

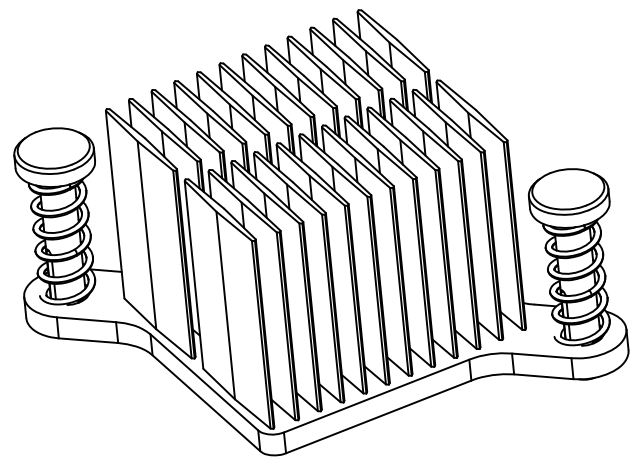
D

E


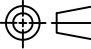
F



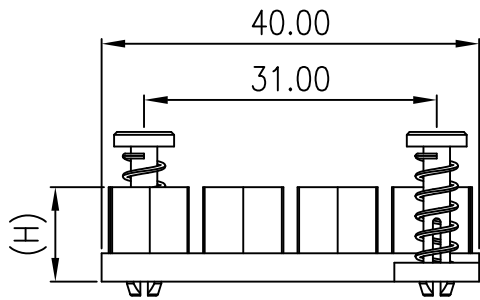
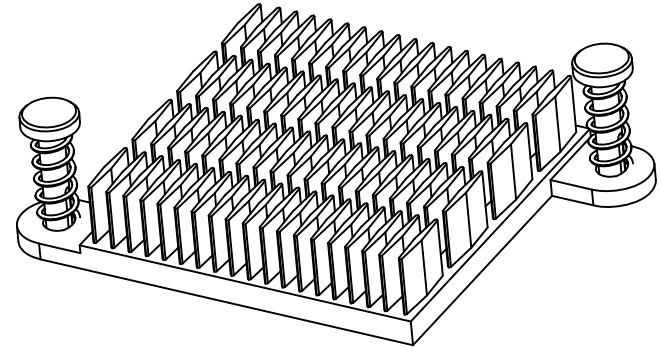
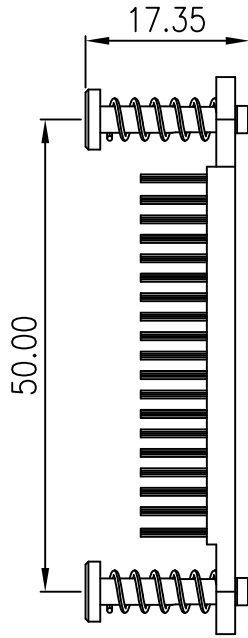
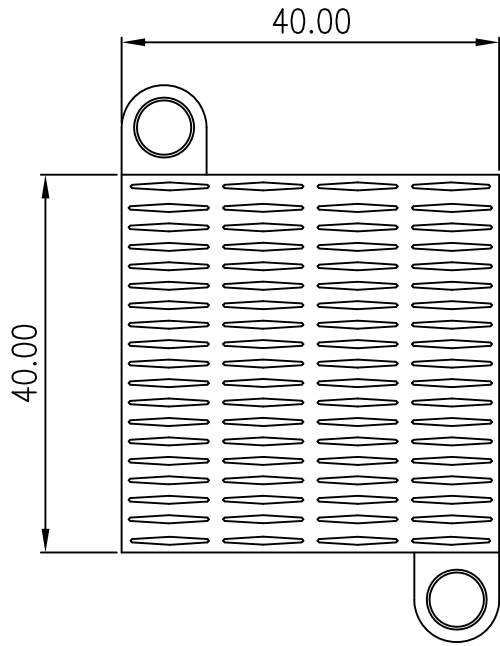
MODEL	HEIGHT(H)	PUSH PIN
FE25003-1520BA-300T	15	F049-000007
FE25003-2020BA-300T	20	2 PLACES



PROPRIETARY NOTE:  
 This document contains confidential information and proprietary to Rego Electronics and shall not be reproduced or disclosed to other documents or used for any purpose other than that for which was obtained without the expressed written consent of Rego Electronics.


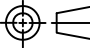
.X ± 0.30	APPROVED: Chris	 <a href="http://www.rego.com.tw">http://www.rego.com.tw</a>	
.XX ± 0.20	CHECKED: Andy		
.XXX ± 0.15	DRAWN: Vic		
X* ± 3'			
	UNITS: mm	SCALE: NONE	TITLE: Heat Sink Assembly Aluminum 25x25xH(15-20)mm with Push Pins PART NO: FE25003-xx20BA-300T(15-20) SHEET: 1 OF 1

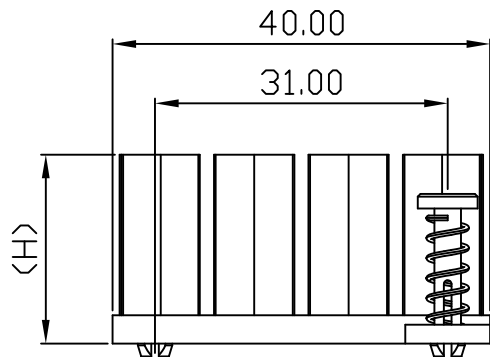
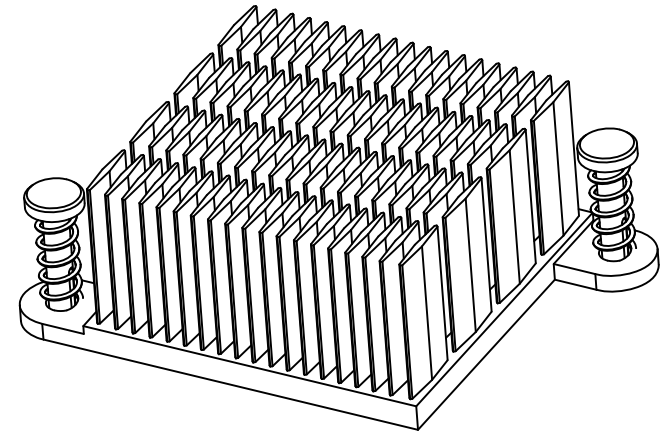
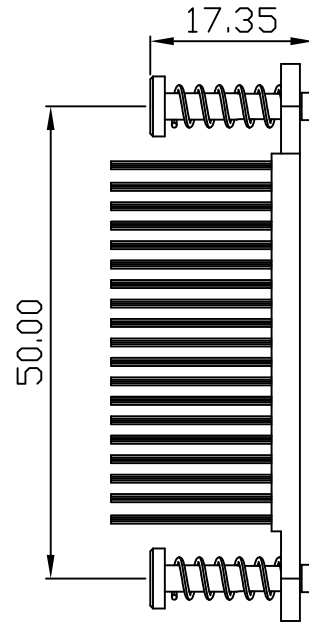
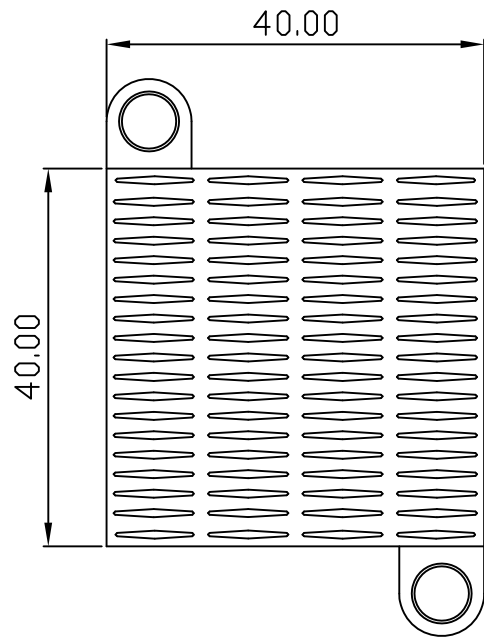
1 2 3 4 5 6 7 8 9 10




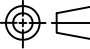
PART NO	HEIGHT(H)	HEAT SINK	Q'TY	PUSH PINS	Q'TY
FE40003-0620BA-300T	6	FE40003-0620BA-1	1	F049-000007	2
FE40003-0820BA-300T	8	FE40003-0820BA-1			
FE40003-1030BA-300T	10	FE40003-1030BA-1			

**PROPRIETARY NOTE:**  
 This document contains confidential information and proprietary to Rego Electronics and shall not be reproduced or disclosed to other documents or used for any purpose other than that for which was obtained without the expressed written consent of Rego Electronics.

.X ± 0.30	APPROVED: Chris	 <a href="http://www.rego.com.tw">http://www.rego.com.tw</a>
.XX ± 0.20	CHECKED: Andy	
.XXX ± 0.15	DRAWN: Vic	
X* ± 3'		
	UNITS: mm	SCALE: NONE
TITLE: Heat Sink Assembly Aluminum 40x40xH(06-10)mm with PUSH PINS		PART NO: FE40003-xxxxBA-300T(6-10)
SHEET: 1 OF 1		



PART NO	HEIGHT(H)	HEAT SINK	Q'TY	PUSH PINS	Q'TY
FE40003-1530BA-300T	15	FE40003-1530BA-1	1	F049-000007	2
FE40003-2030BA-300T	20	FE40003-2030BA-1			

<b>PROPRIETARY NOTE:</b> This document contains confidential information and proprietary to Rego Electronics and shall not be reproduced or disclosed to other documents or used for any purpose other than that for which was obtained without the expressed written consent of Rego Electronics.					
.X ± 0.30	APPROVED:	 <a href="http://www.rego.com.tw">http://www.rego.com.tw</a>			
.XX ± 0.20	CHECKED:				
.XXX ± 0.15	DRAWN:				
X* ± 3'					
	UNITS:	SCALE:	TITLE: Heat Sink Assembly Aluminum 40x40xH(15-20)mm with PUSH PINS PART NO: FE40003-xxxxBA-300T(15-20)		
	mm	NONE	SHEET: 1 OF 1		

1 2 3 4 5 6 7 8 9 10

A

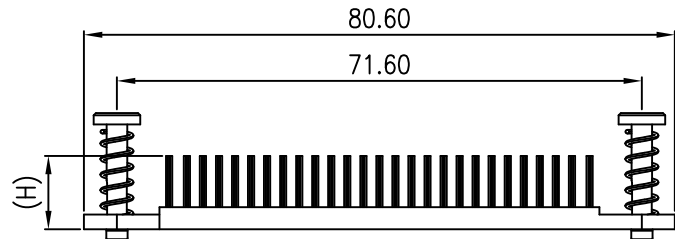
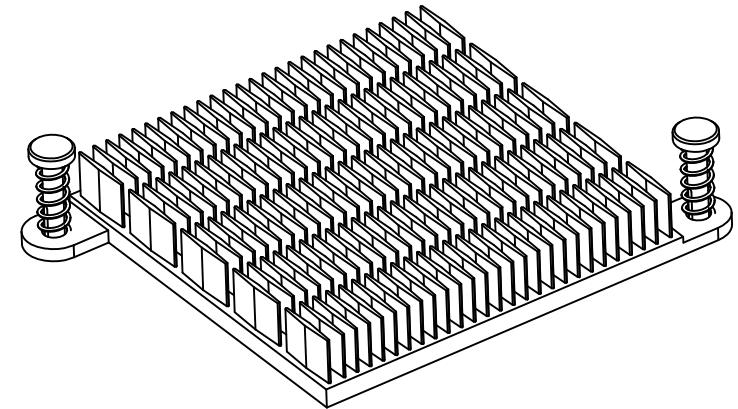
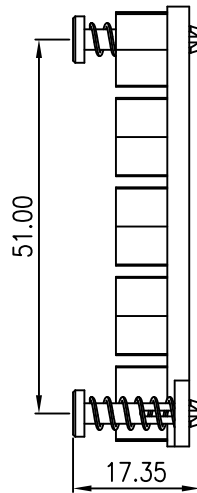
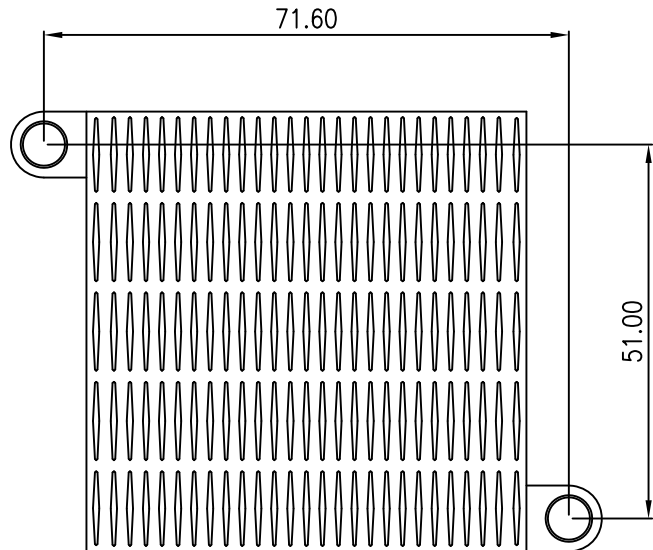
B

C

D


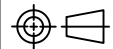
E

F



PART NO	HEIGHT(H)	HEAT SINK	Q'TY	PUSH PINS	Q'TY
FE60003-0630BA-300T	6	FE60003-0630BA-1	1	F049-000007	2
FE60003-0830BA-300T	8	FE60003-0830BA-1			
FE60003-1040BA-300T	10	FE60003-1040BA-1			

**PROPRIETARY NOTE:**  
 This document contains confidential information and proprietary to Rego Electronics and shall not be reproduced or disclosed to other documents or used for any purpose other than that for which was obtained without the expressed written consent of Rego Electronics.

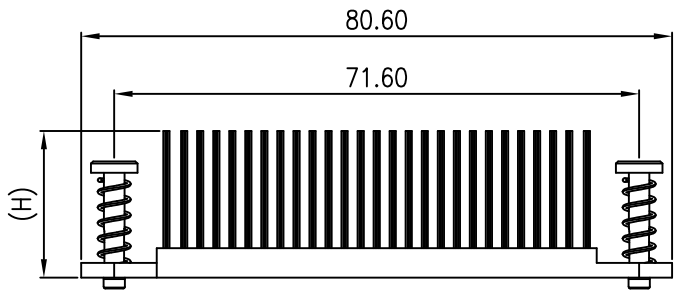
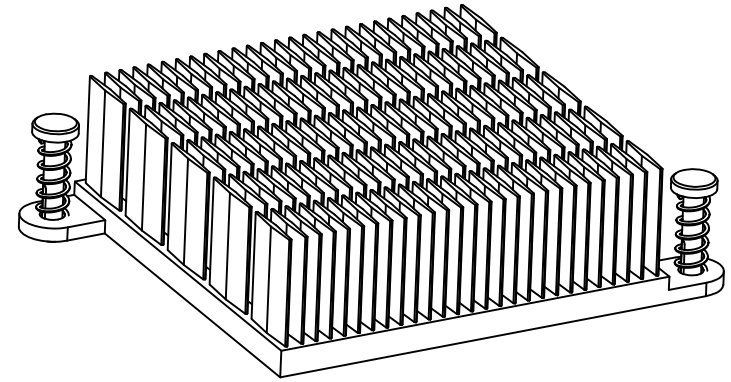
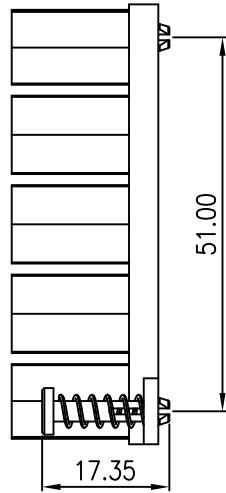
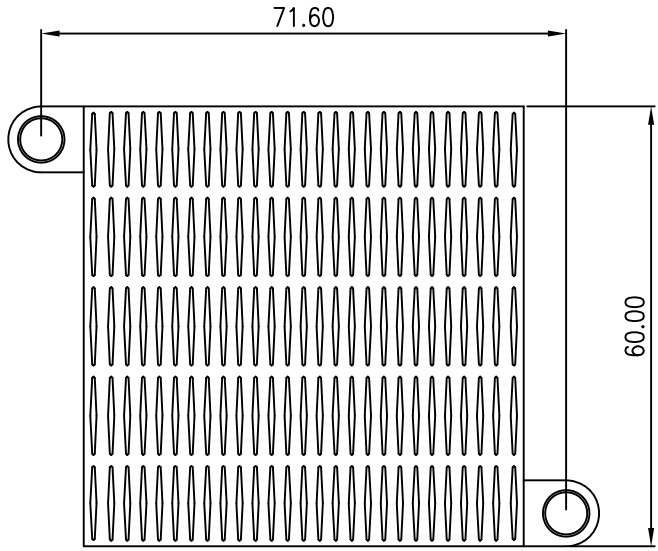
.X ± 0.80	APPROVED: Chris	 <a href="http://www.rego.com.tw">http://www.rego.com.tw</a>
.XX ± 0.50	CHECKED: Andy	
.XXX ± 0.30	DRAWN: Vic	
X° ± 3'		
	UNITS: mm	SCALE: NONE
TITLE: Heat Sink Assembly Aluminum 60x60xH(06-10)mm with PUSH PINS		PART NO: FE60003-xxxxBA-300T(6-10)
SHEET: 1		OF 1

1 2 3 4 5 6 7 8 9 10

1 2 3 4 5 6 7 8 9 10


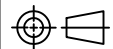
A  
B  
C  
D  
E  
F

A  
B  
C  
D  
E  
F



PART NO	HEIGHT(H)	HEAT SINK	Q'TY	PUSH PINS	Q'TY
FE60003-1540BA-300T	15	FE60003-1540BA-1	1	F049-000007	2
FE60003-2040BA-300T	20	FE60003-2040BA-1			

**PROPRIETARY NOTE:**  
 This document contains confidential information and proprietary to Rego Electronics and shall not be reproduced or disclosed to other documents or used for any purpose other than that for which was obtained without the expressed written consent of Rego Electronics.

.X ± 0.80	APPROVED: Chris	 <a href="http://www.rego.com.tw">http://www.rego.com.tw</a>
.XX ± 0.50	CHECKED: Andy	
.XXX ± 0.30	DRAWN: Vic	
X° ± 3'		
 UNITS: mm SCALE: NONE	TITLE: Heat Sink Assembly Aluminum 60x60xH(15-20)mm with PUSH PINS	
	PART NO: FE60003-xxxxBA-300T(15-20) SHEET: 1 of 1	

1 2 3 4 5 6 7 8 9 10